



Weigand Keypad Installation and Programming

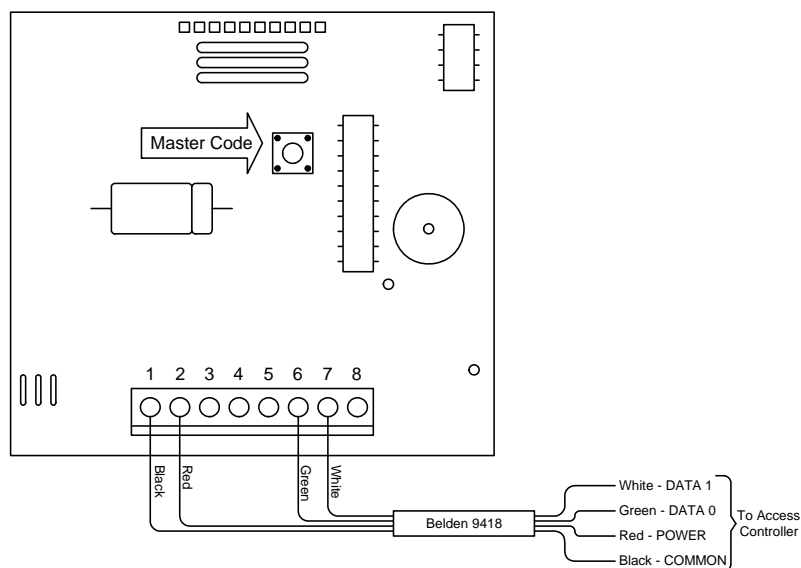
These instructions apply to the following DoorKing Digital Keypads: 1815-050, 1815-051, 1815-052, 1838-120, 1504-120. **When used to control entry through an automated vehicular gate system, the keypad must be mounted a minimum of 10-feet away from the gate and gate operator, or mounted in such a way that the person using the keypad cannot come into contact with the gate or gate operator.**

These keypads output their data in a 26-bit weigand format and must be connected to an access controller such as the DKS models 1833, 1835, 1837 or 1838.

WIRING

Use Belden 9418 or 9931 for wiring.

TERM 1	Input power 12-24 volt AC or DC NEGATIVE / WEIGAND COMMON (BLACK)
TERM 2	Input power 12-24 volt AC or DC POSITIVE (RED)
TERM 3	Earth Ground
TERM 4	Weigand COMMON
TERM 5	Not Used
TERM 6	Weigand DATA 0 (GREEN)
TERM 7	Weigand DATA 1 (WHITE)
TERM 8	Not Used



PROGRAMMING

MASTER CODE

1. Press the master code button on the circuit board once.
2. Enter a four-digit code _ _ _ _ then press * (beep).

FACILITY CODE

1. Press * 4 and the four-digit master code _ _ _ _ (beep).
2. Enter a three-digit facility code _ _ _ (000-255) then press * (beep).
3. Press 0 # together to end the programming (beeeeeep).

NOTE: If facility codes are not used, skip this step.

ENTRY CODE BOUNDARIES

Boundary limits are used to limit the five-digit entry codes that can be used at the digital keypad. Set the boundary limits so that the five-digit entry codes do not duplicate any card or transmitter codes that are programmed into the system. For example, if transmitter codes 01000 through 02000, and card codes 06000 through 07000 are already being used and programmed into the access controller, you could set the lower boundary to 03000 and the upper boundary to 05000. This prevents a five-digit entry code from accidentally duplicating a card or transmitter code.

1. Press * 5 and enter the four-digit master code _ _ _ _ (beep).
2. Enter a five-digit lower boundary _ _ _ _ _ then press * (beep).
3. Enter a five-digit upper boundary _ _ _ _ _ then press * (beep).
4. Press 0 # together to end the programming (beeeeeep).

REMOVING BOUNDARIES

1. Press * 5 and enter the four-digit master code _ _ _ _ (beep).
2. Enter 0 0 0 0 then press * (beep).
3. Enter 6 5 4 0 5 then press * (beep).
4. Press 0 # together to end the programming (beeeeeep).

USING THE # KEY

This programming sequence allows the weigand keypad to mimic a 4-digit entry code on the telephone entry system by allowing the first "digit" to be "#" instead of a number. The # key automatically defaults to "0" when the code is sent to the access controller. For example, if a 4-digit entry code programmed into the telephone entry system is 1-2-3-4, the user enters "#-1-2-3-4" on the keypad to open the gate. Using this feature, the user would still enter "#-1-2-3-4" on the keypad to open the gate, provided that the 5-digit device code 0-1-2-3-4 is programmed into the access controller.

1. Press * 8 and enter the four-digit master code _ _ _ _ (beep).
2. Enter 0 0 0 0 then press * (beep).
3. Enter 9 9 9 9 then press * (beep).
4. Press 0 # together to end the programming (beeeeeep).