

Section 1

Vehicular Gate Operators

Swing Gate Operators

Model 6002 / 6003	2
Model 6004 / 6400	3
Model 6050 / 6100	4
Model 6300	5
Model 6500	6
Swing Gate Accessories	7
Swing Gate Operator Parts & Accessories	8

Slide Gate Operators

Model 9050 / 9100	10
Model 9150	11
Model 9000	12
Model 9310	13
Slide Gate V-Wheels	14
Slide Gate Guide Rollers & Accessories	15
Slide Gate Operator Parts & Accessories	16

Secondary & Vehicular Reversing Devices

Secondary Entrapment Protection Devices Type B1 and B2	18
Loop Detectors and Loops	19

Gate Operator Accessories

Gate Operator Control Stations	20
Postal and Fire Department Lock Boxes	21
Time Clocks, Surge Suppressers, Traffic Signal	22
Accessory Transformers	23

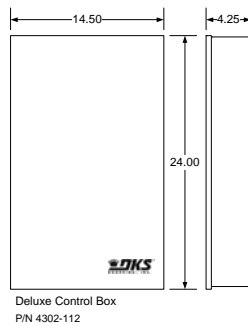
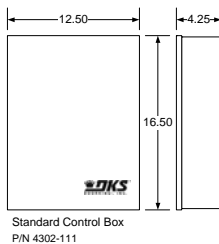
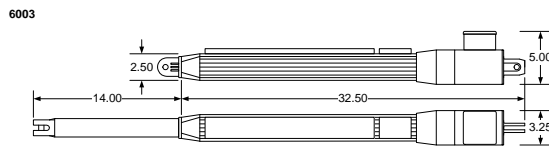
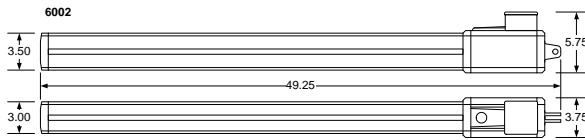
Back-up Power Inverters

Model 1000 / 2000	24
-------------------------	----

Models 6002 / 6003

Low Voltage Swing Gate Actuators

Swing gate actuators are designed to operate vehicular swing gates in residential applications where side room is minimal. These actuators install directly on the swing gate, eliminating the need for any mounting posts or concrete mounting pads. The actuators operate on 24 Volt DC power (115 VAC is converted to 24 Volt DC in the control panel). Two 3.5 Ah batteries are included with these systems.



Step 1: Choose an Actuator

6002-080.....	1190.00
6003-080.....	800.00

Step 2: Choose a Control Box

4302-111 Standard Control Box.....	590.00
4302-112 Deluxe Control Box	730.00

- Deluxe control box includes three 115 VAC convenience outlets

Accessories

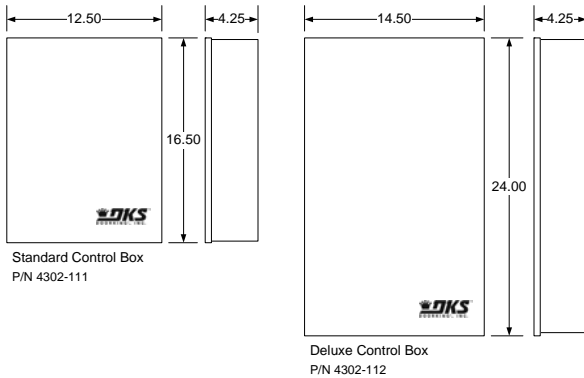
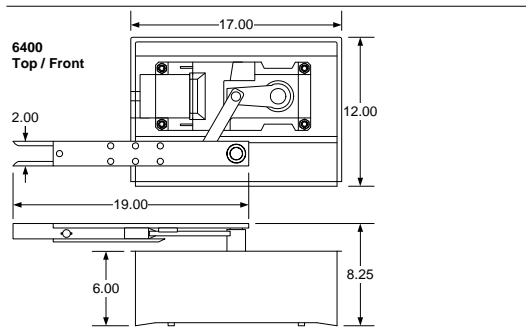
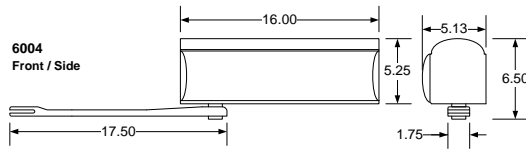
2600-755 30-ft. Bi-parting gate connection cable.....	111.00
2600-756 40-ft. Bi-parting gate connection cable.....	148.00
2600-757 50-ft. Bi-parting gate connection cable.....	185.00
Swing gate accessories	Pg 7-8
Secondary entrapment prevention devices	Pg 18
Loops and loop detectors	Pg 19
Gate operator control stations	Pg 20
Postal & Fire Dept Lock Boxes.....	Pg 21
Time Clocks, Surge Suppression, Traffic Signal	Pg 22

Model 6002 / 6003 Maximum Capacities			
Model	Max Gate Weight (lbs.)	Max Gate Width (ft.)	Cycles (day)
6002	500	14	100
6003	300	10	100

Models 6004 / 6400

Low Voltage Swing Gate Operators

Designed for residential gates up to 8-feet in length, the DKS Model 6004 mounts directly on a column making it ideal for gates that are attached to large columns. The DKS 6400 installs in-ground making it virtually invisible and satisfies the most sophisticated automation needs without being detrimental to the original gate design. Both the 6004 and 6400 operate on 24 Volt DC power (AC is converted to DC in the control panel). Two 3.5 Ah batteries are included with these systems.



Step 1: Choose an Operator

6004-080.....	open
6400-080.....	2234.00

Step 2: Choose a Control Box

4302-111 Standard Control Box.....	590.00
4302-112 Deluxe Control Box	730.00

- Deluxe control box includes three 115 VAC convenience outlets

Accessories

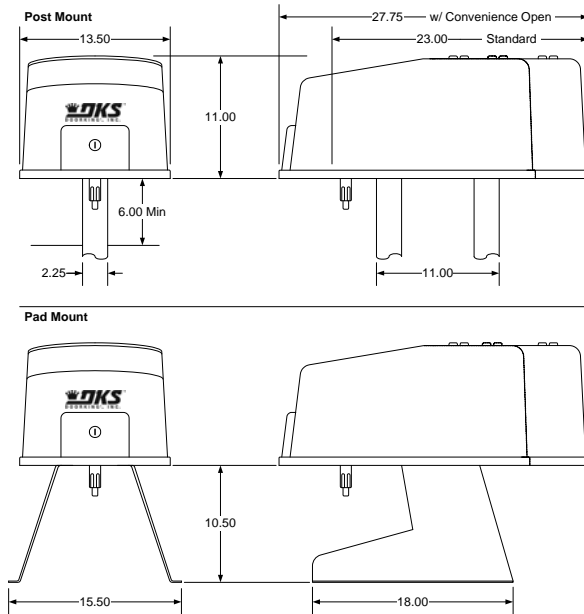
2600-755 30-ft. Bi-parting gate connection cable.....	111.00
2600-756 40-ft. Bi-parting gate connection cable.....	148.00
2600-757 50-ft. Bi-parting gate connection cable.....	185.00
Swing gate accessories.....	Pg 7-8
Secondary entrapment prevention devices	Pg 18
Loops and loop detectors.....	Pg 19
Gate operator control stations	Pg 20
Postal & Fire Dept Lock Boxes.....	Pg 21
Time Clocks, Surge Suppression, Traffic Signal.....	Pg 22

Model 6004 / 6400 Maximum Capacities			
Model	Max Gate Weight (lbs.)	Max Gate Width (ft.)	Cycles (day)
6004	300	8	100
6400	300	8	100

Models 6050 / 6100

Automatic Limit Swing Gate Operators

These operators can be installed on mounting posts or directly onto a concrete mounting-pad. When ordering, choose both an operator AND an operator mounting kit. Secondary operators are used in bi-parting (dual) gate applications and are commanded from and powered from the primary operator. Secondary operators cannot be used as a stand-alone device.



Step 1: Choose an Operator or Operator Set

6050-080 1/2 HP, 115V Primary	2020.00
6050-081 1/2 HP, Secondary	1490.00

- Secondary includes 30-ft interconnection cable

6100-080 1/2 HP, 115V Primary	2220.00
6100-081 1/2 HP, Secondary	1690.00
6100-082 1/2 HP, 115V Primary w/C.O.....	3020.00
6100-083 1/2 HP, Secondary w/C.O.	2490.00

- Secondary includes 40-ft interconnection cable
- C.O. = Convenience Open which opens gate upon AC power loss

Step 2: Choose an Arm / Mounting Kit(s)

2600-671 Pad Mount, Arms and Hardware Kit	360.00
2600-674 Post Mount, Arms and Hardware Kit	360.00

Accessories

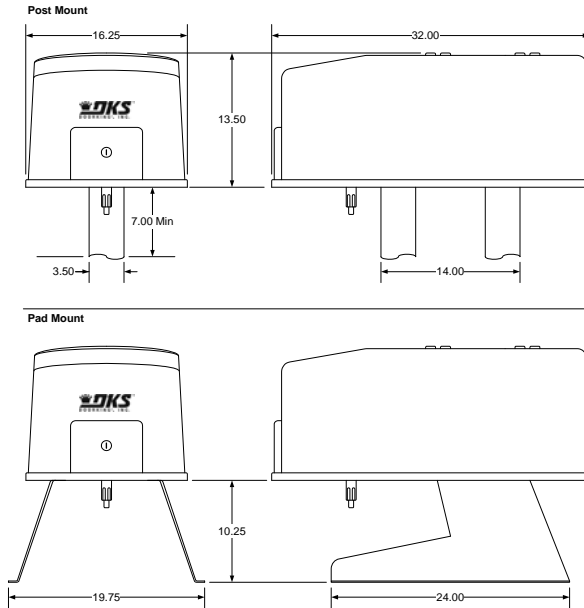
1601-154 Heater Kit.....	390.00
Swing gate accessories	Pg 7-8
Secondary entrapment prevention devices	Pg 18
Loops and loop detectors	Pg 19
Gate operator control stations	Pg 20
Postal & Fire Dept Lock Boxes.....	Pg 21
Time Clocks, Surge Suppression, Traffic Signal	Pg 22

Model 6050 / 6100 Maximum Capacities			
Model	Max Gate Weight (Lbs)	Max Gate Width (Ft)	Max Cycles (Per Day)
6050	400	10	100
6100	500	14	Cont
6100 w/C.O.	400	14	Cont

Model 6300

Automatic Limit Swing Gate Operators

Designed to operate large vehicular swing gates in residential, commercial and industrial applications. These operators can be installed on mounting posts or directly onto a concrete mounting-pad. When ordering, choose both an operator AND an operator mounting kit. Secondary operators are used in bi-parting (dual) gate applications and are commanded from and powered from the primary operator. Secondary operators cannot be used as a stand-alone device.



Step 1: Choose an Operator or Operator Set

6300-080 1/2 HP, 115V Primary.....	2540.00
6300-088 1/2 HP, 230V Primary.....	2970.00
6300-092 1/2 HP, 460V Primary.....	2970.00
6300-081 1/2 HP, Secondary.....	2010.00
6300-082 1/2 HP, 115V Primary w/C.O.....	3340.00
6300-089 1/2 HP, 230V Primary w/C.O.....	3770.00
6300-093 1/2 HP, 460V Primary w/C.O.....	3770.00
6300-083 1/2 HP, Secondary w/C.O.....	2810.00
6300-084 1 HP, 115V Primary	2990.00
6300-090 1 HP, 230V Primary	3420.00
6300-094 1 HP, 460V Primary	3420.00
6300-085 1 HP, Secondary	2460.00
6300-086 1 HP, 115V Primary w/C.O	3790.00
6300-091 1 HP, 230V Primary w/C.O	4220.00
6300-095 1 HP, 460V Primary w/C.O.	4220.00
6300-087 1 HP, Secondary w/C.O.	3260.00

- Secondary includes 50-ft interconnection cable
- C.O. = Convenience Open which opens gate upon AC power loss
- 230 / 460 Volt operators use a step-down transformer to achieve 115 Volt operating voltage

Step 2: Choose a Mounting Kit(s)

2600-264 Pad Mount, Arms and Hardware Kit	562.00
2600-263 Post Mount, Arms and Hardware Kit	562.00

Model 6300 Maximum Capacities			
Model	Max Gate Weight (Lbs)	Max Gate Width (Ft)	Max Cycles (Per Day)
1/2 HP	700	18	Cont
1/2 HP w/C.O.	600	18	Cont
1 HP	800	22	Cont
1 HP w/C.O.	700	22	Cont

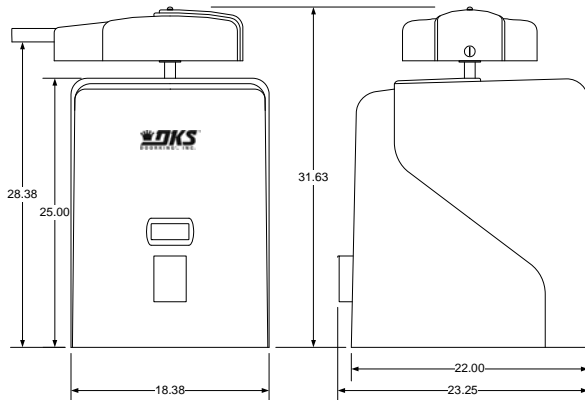
Accessories

1601-154 Heater Kit.....	390.00
Swing gate accessories.....	Pg 7-8
Secondary entrapment prevention devices	Pg 18
Loops and loop detectors.....	Pg 19
Gate operator accessories	Pg 20-22

Model 6500

Adjustable Swing Gate Operators

Designed to operate large vehicular swing gates in residential, commercial and industrial applications. Secondary operators are used in bi-parting (dual) gate applications and are commanded from and powered from the primary operator. Secondary operators cannot be used as a stand-alone device.



Operators

6500-080 1/2 HP, 115V Primary	2920.00
6500-088 1/2 HP, 208V Primary	3350.00
6500-092 1/2 HP, 230V Primary	3350.00
6500-096 1/2 HP, 460V Primary	3350.00
6500-081 1/2 HP, Secondary	2390.00
6500-082 1/2 HP, 115V Primary w/C.O.....	3720.00
6500-089 1/2 HP, 208V Primary w/C.O.....	4150.00
6500-093 1/2 HP, 230V Primary w/C.O.....	4150.00
6500-097 1/2 HP, 460V Primary w/C.O.....	4150.00
6500-083 1/2 HP, Secondary w/C.O.	3190.00
6500-084 1 HP, 115V Primary	3360.00
6500-090 1 HP, 208V Primary	3790.00
6500-094 1 HP, 230V Primary	3790.00
6500-098 1 HP, 460V Primary	3790.00
6500-085 1 HP, Secondary	2850.00
6500-086 1 HP, 115V Primary w/C.O	4160.00
6500-091 1 HP, 208V Primary w/C.O	4590.00
6500-095 1 HP, 230V Primary w/C.O	4590.00
6500-099 1 HP, 460V Primary w/C.O.	4590.00
6500-087 1 HP, Secondary w/C.O.	3650.00

- Secondary includes 50-ft interconnection cable
- C.O. = Convenience Open which opens gate upon AC power loss
- 208 / 230 / 460 Volt operators use a step-down transformer to achieve 115 Volt operating voltage

Model 6500 Maximum Capacities			
Model	Max Gate Weight (Lbs)	Max Gate Width (Ft)	Max Cycles (Per Day)
1/2 HP	700	18	Cont
1/2 HP w/C.O.	600	18	Cont
1 HP	800	22	Cont
1 HP w/C.O.	700	22	Cont

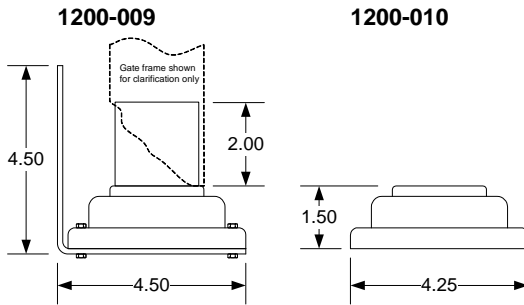
Accessories

6500-480 Heater Kit.....	440.00
Swing gate accessories	Pg 7-8
Secondary entrapment prevention devices	Pg 18
Loops and loop detectors	Pg 19
Gate operator accessories	Pg 20-22

Swing Gate Accessories

Hinges, Torsion Rod Counter-Balance

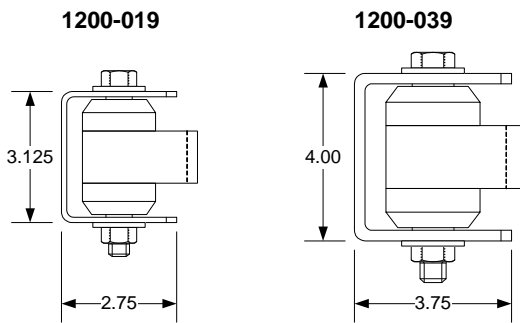
The DKS Swing Gate Hinges are designed for heavy wrought iron gates. When using the flange style hinge, two are used at the extreme top and bottom of the gate. When using the standard style hinge, the hinge can be welded to a gate mounting post at almost any position and to the gate itself. For un-level swing gates, the torsion rod assembly provides a method to counter-balance the gate to prevent gate runaway and relieves pressure on the gate operator. By adding additional torsion rods (6 maximum), heavier gates can be accommodated.



Flange Bearing Hinge

1200-009 3000 Lb Weight Capacity	108.00
1200-010 Replacement Bearing	65.00

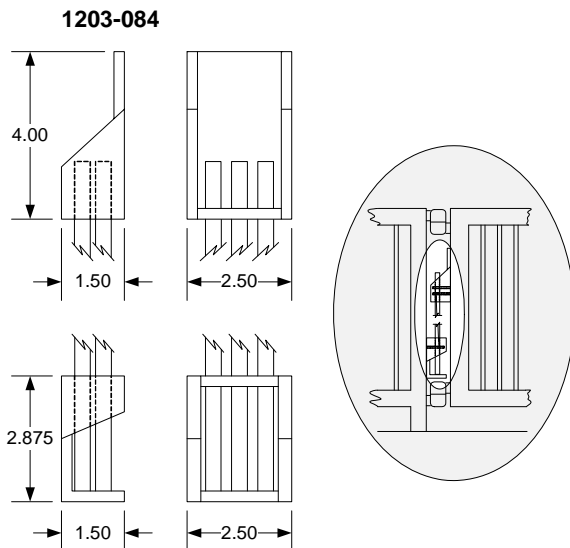
- Zert grease fitting
- Includes mounting bracket and hardware
- Two required per gate (top, bottom)
- Designed for use with 2" gate frame



Sealed Bearing Hinge

1200-019 2000 Lb Weight Capacity	119.00
1200-039 3000 Lb Weight Capacity	141.00

- Includes mounting bracket and hardware
- Two required per gate (top, bottom)
- Designed for use with round or square gate frames



Torsion Rod Assembly

1203-084	86.50
2600-299 Additional Torsion Rods	32.50

- Counter-balances uphill swing gates
- Includes top bracket, bottom bracket and one (1) torsion rod
- Up to five (5) additional torsion rods can be added

Swing Gate Operator Parts & Accessories

Miscellaneous Parts & Accessories

Circuit Boards

4302-010	500.00
Used in models 6002, 6003, 6004 and 6400	
4405-010	530.00
Used in model 6500	
4501-010 (obsolete)	530.00
Used in models 601, 602, 605, 610, 615, 620, 625, 630	
4502-010	530.00
Used in models 6050, 6100 and 6300	
2340-010	220.00
Used in models 6100 and 6300 with convenience open option	

Replacement Parts & Components

3004-010 Magnetic Counter Probe	152.00
Used in 601, 602, 605, 610, 615, 630, 6050, 6100, 6300 operators	
6100-210 80-Tooth Worm Gear Kit	132.00
Includes clutch pads and 80-tooth delrin main drive gear for 605, 610, 615, 6050 and 6100 operators	
2801-002 Clutch Disc	13.40
2600-644 100-Tooth Worm Gear	126.00
80-tooth delrin main drive gear for 620, 625, 630 and 6300 operators	
6100-040 Cross-Shaft Housing Assembly.....	240.00
Includes cast housing, cross-shaft, worm drive gear and related hardware. Does not include output shaft, clutch plates or clutch disc. Used in 6050 and 6100 operators	
6300-042 Cross-Shaft Housing Assembly.....	340.00
Includes cast housing, cross-shaft, worm drive gear and related hardware. Does not include output shaft, clutch plates or clutch disc. Used in 6300 operators	
2600-675 Main Shaft	90.00
Replacement main shaft for 605, 610, 6050 and 6100 operators	
2600-174 Main Shaft	112.00
Replacement main shaft for 630 and 6300 operators	
1801-009 Battery.....	76.00
12 Volt, 3-Amp Hour battery	
4601-058 Fuse 5A.....	3.20
Used on 4302 -010 circuit board	

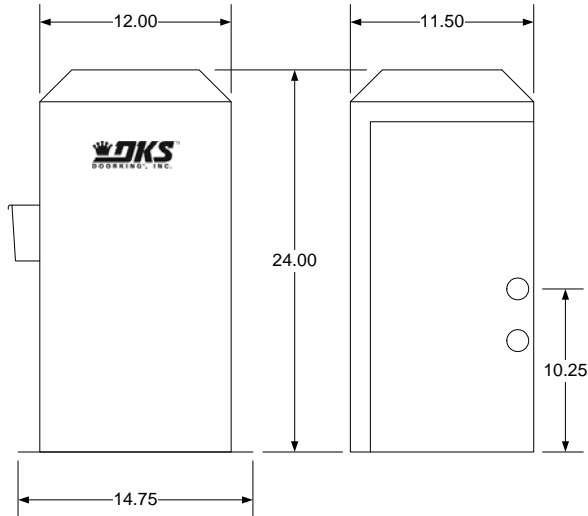
Accessories

2600-664 Concrete Base Plate	130.00
Use to mount the 6050 or 6100 post mount operators onto an existing concrete pad	
2600-260 Mounting Pipe	60.00
Use with 6050 and 6100 post mount operators. 2-1/2 O.D. x 3-ft pipe, threaded on one end	
2600-754 Primary / Secondary Cable.....	1700.00
500-ft roll	
2600-755 Primary / Secondary Cable.....	111.00
30-ft roll	
2600-756 Primary / Secondary Cable.....	148.00
40-ft roll	
2600-757 Primary / Secondary Cable.....	185.00
50-ft roll	
2600-770 Moly D Grease	12.00
14 oz. tube Molybdenum Disulfide (Moly D) multi-purpose grease for swing gate worm gears	
2600-225 Gate Test Scale	54.00
Measures the amount of force (Ft Lb) required to start a gate into motion	
2600-220 Touch-up Paint, White	34.00
2600-221 Touch-up Paint, Light Gray.....	34.00
2600-222 Touch-up Paint, Tan.....	34.00
2600-223 Touch-up Paint, Charcoal Gray	34.00

Models 9050 / 9100

Automatic Limit Slide Gate Operators

The model 9050 is designed for limited-duty residential applications only. The model 9100 is designed for continuous-duty residential and commercial applications and has a full feature circuit board. 20-feet of #41 chain is included with these operators.



Operators

9050-080.....	1570.00
9100-080.....	2300.00

Options

2600-862 Fail-secure lock kit	24.00
-------------------------------------	-------

Accessories

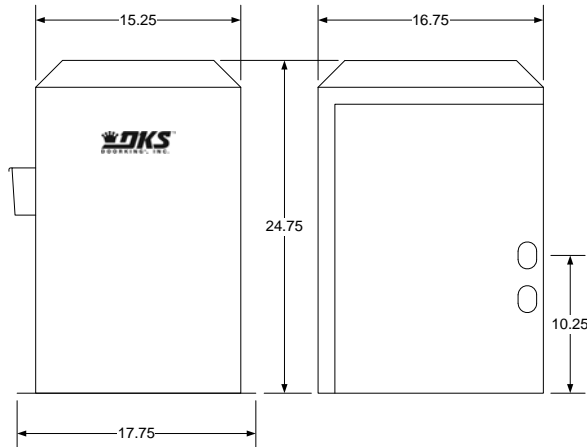
1601-154 Heater Kit.....	390.00
2600-418 Base plate (use for post mounting).....	65.00
2600-755 30-ft. Bi-parting gate connection cable.....	111.00
2600-756 40-ft. Bi-parting gate connection cable.....	148.00
2600-757 50-ft. Bi-parting gate connection cable.....	185.00
Slide gate accessories	Pg 14-16
Secondary entrapment prevention devices	Pg 18
Loops and loop detectors	Pg 19
Gate operator control stations	Pg 20
Postal & Fire Dept Lock Boxes.....	Pg 21
Time Clocks, Surge Suppression, Traffic Signal	Pg 22

Model 9050 / 9100 Maximum Capacities			
Model	Max Gate Weight (Lbs)	Max Gate Length (Ft)	Max Cycles (Per Day)
9050	300	16	100
9100	1000	30	Cont

Model 9150

Automatic Limit Slide Gate Operators

The model 9150 slide gate operator is designed to operate vehicular sliding gates in residential commercial and industrial applications. The operator has a full feature circuit board and includes 20-feet of #40 chain.



Operators

9150-084 1/2 HP, 115V	2450.00
9150-094 1/2 HP, 208 V	2880.00
9150-085 1/2 HP, 230V	2880.00
9150-090 1/2 HP, 460V	2880.00
9150-086 1/2 HP, 115V w/C.O.	3250.00
9150-095 1/2 HP, 208V w/C.O.	3680.00
9150-087 1/2 HP, 230V w/C.O.	3680.00
9150-091 1/2 HP, 460V w/C.O.	3680.00
9150-080 1 HP, 115V	2990.00
9150-092 1 HP, 208V	3420.00
9150-081 1 HP, 230V	3420.00
9150-088 1 HP, 460V	3420.00
9150-082 1 HP, 115V w/C.O.....	3790.00
9150-093 1 HP, 208V w/C.O.....	4220.00
9150-083 1 HP, 230V w/C.O.....	4220.00
9150-089 1 HP, 460V w/C.O.....	4220.00
• C.O. = Convenience Open which opens gate upon AC power loss	
• 208 / 230 / 460 Volt operators use a step-down transformer to achieve 115 Volt operating voltage	

Options

2600-865 Fail-secure lock kit 31.00

Accessories

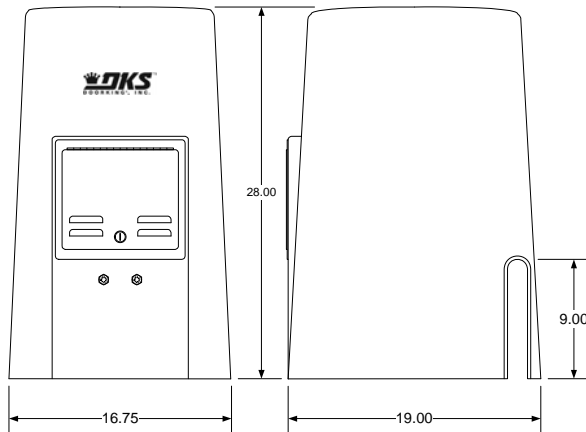
1601-154 Heater Kit.....	390.00
2600-495 Base plate (use for post mounting).....	150.00
Bi-parting gate connection cable	Pg 16
Slide gate accessories	Pg 14-16
Secondary entrapment prevention devices	Pg 18
Loops and loop detectors.....	Pg 19
Gate operator control stations	Pg 20
Postal & Fire Dept Lock Boxes.....	Pg 21
Time Clocks, Surge Suppression, Traffic Signal.....	Pg 22

Model 9150 Maximum Capacities			
Motor	Max Gate Weight (lbs.)	Max Gate Length (ft.)	Cycles (day)
1/2 HP	1000	30	Cont.
1/2 HP w/C.O.	800	30	Cont.
1 HP	1500	45	Cont.
1 HP w/C.O.	1300	45	Cont.

Model 9000

Adjustable Limit Slide Gate Operators

The model 9000 slide gate operator is designed to operate vehicular sliding gates in residential commercial and industrial applications. The operator has a full feature circuit board and includes 20-feet of #40 chain. Secondary operators are used in bi-parting (dual) gate applications and are commanded from and powered from the primary operator. Secondary operators cannot be used as a stand-alone device



Operators

9000-080 1/2 HP, 115V Primary	2500.00
9000-082 1/2 HP, 208V Primary	2930.00
9000-083 1/2 HP, 230V Primary	2930.00
9000-084 1/2 HP, 460V Primary	2930.00
9000-081 1/2 HP, Secondary	2000.00

- 208 / 230 / 460 Volt operators above use a step-down transformer to achieve 115 Volt operating voltage

9000-085 1 HP, 115V Primary	2940.00
9000-086 1 HP, 115V Secondary	2440.00

9000-087 1 HP, 208V 1 ^Ø	3370.00
9000-088 1 HP, 230V 1 ^Ø	3370.00

- Secondary operator is not available for 208 / 230 Volt 1^Ø units

Accessories

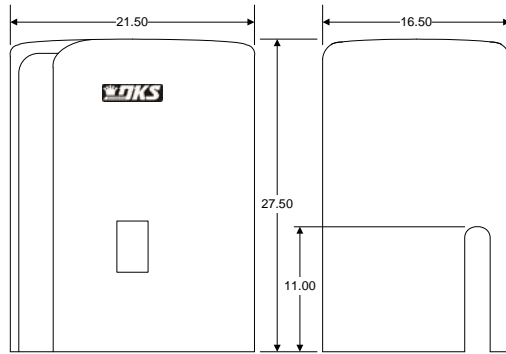
1601-154 Heater Kit.....	390.00
2600-755 30-ft. Bi-parting gate connection cable.....	111.00
2600-756 40-ft. Bi-parting gate connection cable.....	148.00
2600-757 50-ft. Bi-parting gate connection cable.....	185.00
Slide gate accessories	Pg 14-16
Secondary entrapment prevention devices	Pg 18
Loops and loop detectors	Pg 19
Gate operator control stations	Pg 20
Postal & Fire Dept Lock Boxes.....	Pg 21
Time Clocks, Surge Suppression, Traffic Signal	Pg 22

Model 9000 Maximum Capacities			
Motor	Max Gate Weight (lbs.)	Max Gate Length (ft.)	Cycles (day)
1/2 HP	1000	35	Cont.
1 HP	1500	35	Cont.

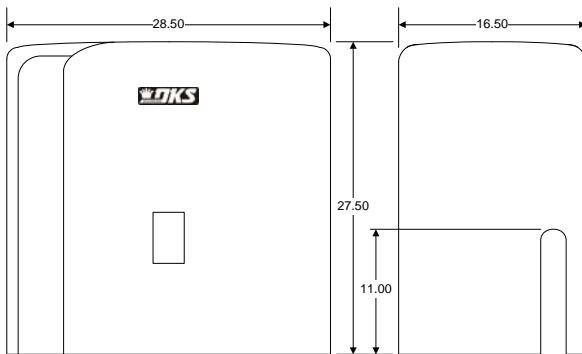
Model 9310

Adjustable Limit Slide Gate Operators

The model 9310 slide gate operator is designed to operate vehicular sliding gates in residential commercial and industrial applications. The operator has a full feature circuit board and includes 20-feet of #40 chain.



1/2 HP Operators



1 HP Operators

Operators

9310-080 1/2 HP, 115V	2180.00
9310-086 1/2 HP, 208V	2610.00
9310-082 1/2 HP, 230V	2610.00
9310-084 1/2 HP, 460V	2610.00

9310-081 1/2 HP, 115V w/C.O.	2980.00
9310-087 1/2 HP, 208V w/C.O.	3410.00
9310-083 1/2 HP, 230V w/C.O.	3410.00
9310-085 1/2 HP, 460V w/C.O.	3410.00

- 208 / 230 / 460 Volt operators above use a step-down transformer to achieve 115 Volt operating voltage

9310-088 1 HP, 115V	2650.00
9310-090 1 HP, 230V 1 ^Ø	3070.00
9310-092 1 HP, 208V 3 ^Ø	3070.00
9310-094 1 HP, 230V 3 ^Ø	3070.00

9310-089 1 HP, 115V w/C.O.	3450.00
9310-091 1 HP, 230V 1 ^Ø w/C.O.	3870.00
9310-093 1 HP, 208V 3 ^Ø w/C.O.	3870.00
9310-095 1 HP, 230V 3 ^Ø w/C.O.	3870.00

- C.O. = Convenience Open which opens gate upon AC power loss

Options

2600-866 Fail-secure lock kit	31.00
-------------------------------------	-------

Accessories

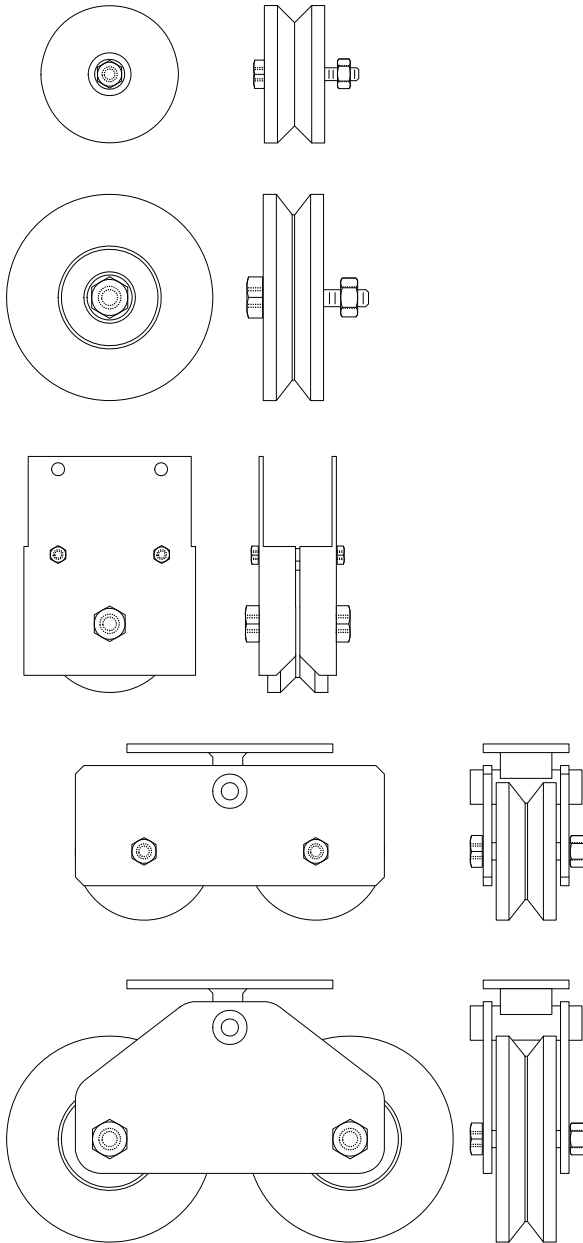
9310-201 Base plate 1/2 HP (for post mounting).....	150.00
9310-202 Base plate 1 HP (for post mounting)	170.00
1601-154 Heater Kit.....	390.00
Slide gate accessories	Pg 14-16
Secondary entrapment prevention devices	Pg 18
Loops and loop detectors.....	Pg 19
Gate operator accessories	Pg 20

Model 9310 Maximum Capacities			
Motor	Max Gate Weight (lbs.)	Max Gate Width (ft.)	Cycles (day)
1/2 HP	1000	30	Cont.
1/2 HP w/C.O.	800	30	Cont.
1 HP	1500	40	Cont.
1 HP w/C.O.	1300	40	Cont.

Slide Gate Accessories

V-Wheels

DKS V-wheels are used in slide gate applications that utilize an inverted "V" type track. V-Wheel assemblies are designed for 2 inch gate frames and tandem assemblies can be used on any size frame.



Replacement V-Wheels

1201-004.....	32.50
• 4-inch UHMW Sleeve Bearing 500 Lb Max Wt	
1201-006.....	46.00
• 4-inch UHMW Sealed Bearing 750 Lb Max Wt	
1201-016.....	66.00
• 4-inch Steel Sealed Bearing 1500 Lb Max Wt	
1201-000.....	104.00
• 6-inch Steel Sealed Bearing 2500 Lb Max Wt	

V-Wheel Assemblies

1201-102.....	61.00
• 4-inch UHMW Sleeve Bearing 500 Lb Max Wt	
1201-005.....	74.00
• 4-inch UHMW Sealed Bearing 750 Lb Max Wt	
1201-117.....	96.00
• 4-inch Steel Sealed Bearing 1500 Lb Max Wt	

4 Inch Tandem V-Wheel Assemblies

1201-012.....	160.00
• 4-inch UHMW Sealed Bearing 1500 Lb Max Wt	
1201-010.....	224.00
• 4-inch Steel Sealed Bearing 3000 Lb Max Wt	

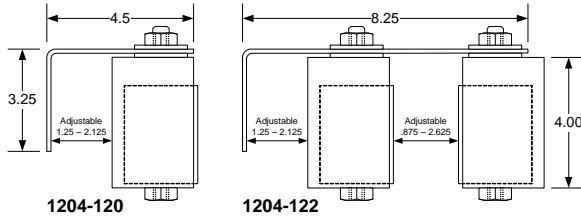
6 Inch Tandem V-Wheel Assembly

1201-210.....	376.00
• 6-inch Steel Sealed Bearing 5000 Lb Max Wt	

Slide Gate Accessories

Guide Rollers, Chain Idler, End Catch

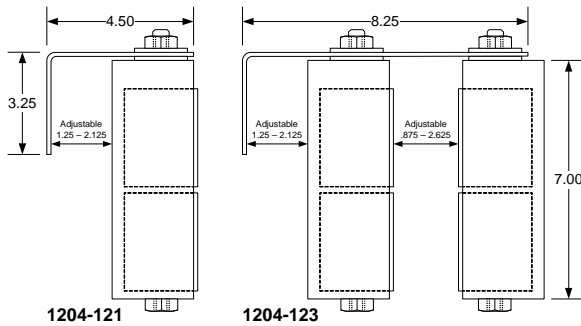
Guide rollers are guarded to meet current industry safety standards. The DKS chain idler assembly is used when slide gate operators are rear-mounted. The end retainer provides a guide for slide gates to slip into, and has a cap that prevents the gate from being lifted off the track when it is in the full closed position.



3 Inch Guide Rollers

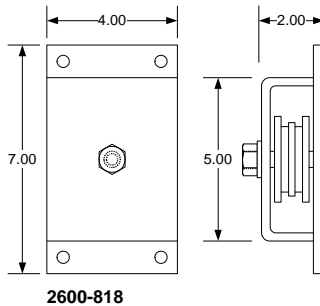
1204-120 Single	52.50
1204-122 Dual.....	90.00
1204-005 3-Inch replacement roller	11.00

- Use two for 6-inch roller



6 Inch Guide Rollers

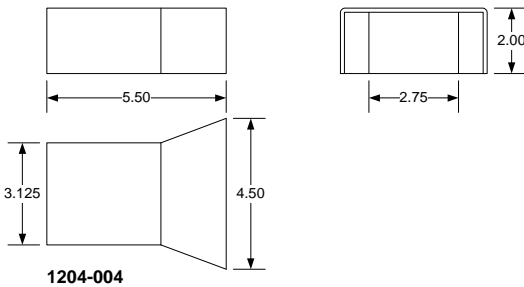
1204-121 Single	70.00
1204-123 Dual.....	114.00



Chain Idler Assembly

2600-818.....	70.00
---------------	-------

- Use with rear-mount slide gate operators. Works with #40 and #41 chain



End Catch

1204-004.....	40.00
---------------	-------

- Designed for gates with 2-inch frame

Slide Gate Operator Parts & Accessories

Miscellaneous Parts & Accessories

Circuit Boards

4402-009 (obsolete)	530.00
Used in model 9300 1 HP only	
4402-010 (obsolete)	530.00
Used in model 9300 1/2 HP only	
4403-010	530.00
Used in model 9310	
4601-010 (obsolete)	650.00
Used in models 910, 915, 920	
4602-010	650.00
Used in models 9100, 9150	
4701-010 (obsolete)	450.00
Used in models 905, 907	
4702-010	450.00
Used in models 9050, 9070	
2340-010	220.00
Used in models 6100 and 6300 with convenience open option	

Replacement Parts & Components

2600-903 Drive Shaft Assembly	64.00
Used in models 905, 907, 910, 9050, 9070, 9100	
2600-904 Drive Shaft Assembly	66.00
Used in models 915 and 9150	
2600-860 Solenoid Lock Assembly.....	76.00
Used in models 9050, 9070, 9100 and 9150	
2600-861 Solenoid Lock Assembly.....	100.00
Used in model 9310 operator	
1801-009 Battery.....	76.00
12 Volt, 3-Amp Hour battery	

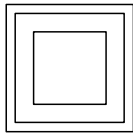
Accessories

2600-443 Nickel Plated #41 Chain – 10 Ft.....	60.00
2600-444 Nickel Plated #40 Chain – 10 Ft.....	90.00
2600-475 Stainless Steel #41 Chain – 20 Ft.....	360.00
2600-441 #41 Chain – 20 Ft	90.00
2600-442 #40 Chain – 20 Ft	120.00
2600-271 Chain Stop for #40 and #41 Chain.....	20.00
2600-961 Chain Link Fence Gate Bracket.....	65.00
2600-418 Steel Base Plate.....	65.00
Use with 9050 and 9100 operators	
2600-495 Steel Base Plate.....	120.00
Use with 9150 operator	
2600-970 Base Plate Stop Bracket	44.00
Use with 2600-418 and 2600-495	
9310-201 Steel Base Plate.....	150.00
Use with 9310 1/2 HP operators	
9310-202 Steel Base Plate.....	170.00
Use with 9310 1 HP operators	
2600-754 Primary / Secondary Cable.....	1700.00
500-ft roll	
2600-755 Primary / Secondary Cable.....	111.00
30-ft roll	
2600-756 Primary / Secondary Cable.....	148.00
40-ft roll	
2600-757 Primary / Secondary Cable.....	185.00
50-ft roll	
2600-225 Gate Test Scale	54.00
Measures the amount of force (Ft Lb) required to start a gate into motion	
2600-220 Touch-up Paint, White	34.00
2600-221 Touch-up Paint, Light Gray.....	34.00
2600-222 Touch-up Paint, Tan.....	34.00
2600-223 Touch-up Paint, Charcoal Gray	34.00

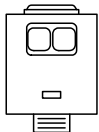
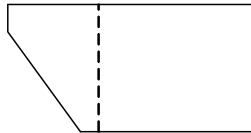
Secondary Entrapment Prevention

Type B1 and Type B2

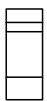
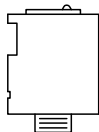
Secondary entrapment prevention devices are required in almost all general access automated gate applications. Photo-cells are used as type B1 (non-contact sensors) devices. Electric edges are used as type B2 (contact sensors) devices.



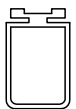
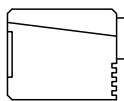
8080-010



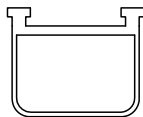
8080-011



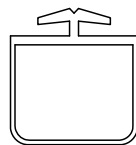
8080-030 / 8080-031



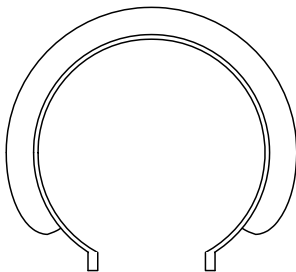
8080-016



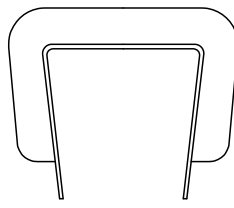
8080-015



8080-020



8080-021



8080-022

Type B1 Non-Contact Sensors

8080-010 Infrared Thru-Beam 420.00

- 24 Volt AC / DC
- 165-foot maximum sensing distance
- Separate sender and receiver
- Includes hood and heated enclosure

8080-011 Photo Reflective..... 314.00

- 12 Volt DC / 24 Volt AC
- 30-foot maximum sensing distance

8080-030 Polarized Photo Reflective 292.00

- 24-240 Volt AC / 12-240 Volt DC
- 35-foot maximum sensing distance

8080-031 Infrared Thru-Beam 390.00

- 24-240 Volt AC / 12-240 Volt DC
- 65-foot maximum sensing distance
- Separate sender and receiver

Type B2 Contact Sensors

8080-016 6-Foot Edge..... 205.50

- Includes mounting channel - ideal for barrier arms

8080-015 5-Foot Edge..... 256.00

- Includes mounting channel

8080-020 5-Foot Edge..... 249.00

- Sensitive on all 3 sides – includes mounting channel

8080-021 5-Foot Edge..... 260.00

- Designed to fit on 2-inch round gate post

8080-022 5-Foot Edge..... 260.00

- Designed to fit on 2-inch square gate post

Contact Sensor Accessories

8060-061 Wireless RF Kit 416.00

- Receiver (12-24 Volt AC/DC) and transmitter housed in NEMA 4 enclosure with low battery alarm

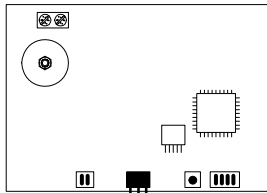
8080-017 Coiled Cord 16-Foot 100.00

8060-076 Plastic Receiver Box 17.50

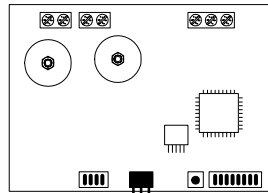
Vehicle Protection

Loop Detectors and Loops

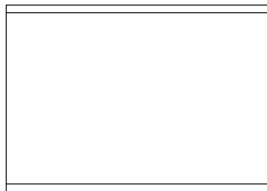
Loop detectors and loops are strongly recommended on all automated vehicular gate applications to help prevent gates from closing on vehicles in the path of the gate. These devices are not considered to be secondary entrapment prevention devices.



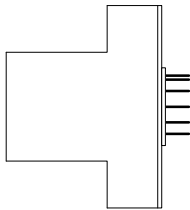
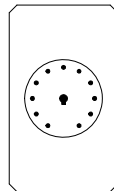
9410-010



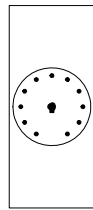
9409-010



9402-045 / 9402-047



9402-044



Loop Detectors

9410-010 DKS Single Channel 199.50

- Plug-in detector - use with DKS gate operators only

9409-010 DKS Two Channel 378.00

- Plug-in detector – use with DKS gate operators only

9402-045 Reno A&E 12/24 Volt DC or 24 Volt AC 250.00

9402-047 Reno A&E 120 Volt AC 250.00

- Reno A&E detectors have 2 relay outputs
- Reno A&E detectors require 9402-061 wire harness

9402-044 Carlo Gavazzi 24 Volt AC or DC 185.50

- Carlo Gavazzi detector - 2 relay outputs
- Requires 9402-061 wire harness

9402-061 Wire Harness..... 22.00

Loop Wire – 18 AWG – XLPE Insulation

9402-076 500-Ft Roll – Black..... 150.00

9402-077 1000-Ft Roll – Black..... 240.00

9402-078 500-Ft Roll – Blue 150.00

9402-079 1000-Ft Roll – Blue 240.00

9402-080 500-Ft Roll – Red..... 150.00

9402-081 1000-Ft Roll – Red 240.00

Prefabricated Loops, 24-Ft Circumference, 50-Ft Lead-In

9401-060 Blue Loop Wire / PLIOVIC Tubing 200.00

9401-061 Yellow Loop Wire / PLIOVIC Tubing 200.00

9401-062 Red Loop Wire / PLIOVIC Tubing..... 200.00

Loop Miscellaneous

2600-771 Asphalt Sealant (Black) – 10 oz. Tube 11.00

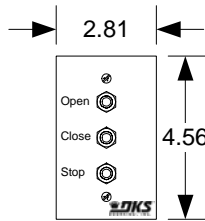
2600-772 Concrete Sealant (Gray) – 10 oz. Tube..... 11.00

9401-045 Loop Test Meg-Ohm Meter..... 450.00

Control Stations

Manual Control

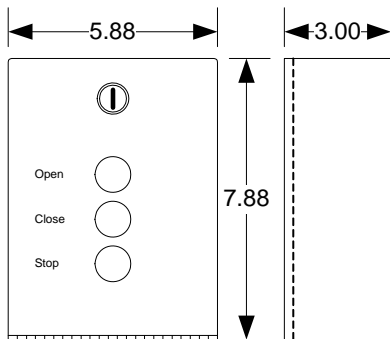
Gate operator control stations provide complete manual control for DKS vehicular gate operators. The unique logic inputs found on DKS gate operators require only 3 wires for connection to a 3-button control station.



1200-007

1200-007..... 72.00

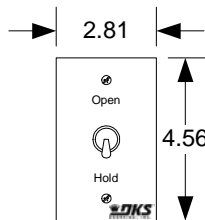
- 3-button interior open-close-stop
- Mounts into single-gang electric box
- Use for most DKS gate operators (does not work with model 9000)



1200-006

1200-006..... 130.00

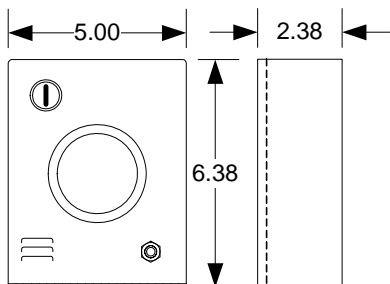
- 3-button interior/exterior open-close-stop
- Surface or post mounted
- Use for most DKS gate operators (does not work with model 9000)



1200-017

1200-017..... 43.50

- Open-hold-normal gate control
- Mounts into single-gang electric box



1404-080

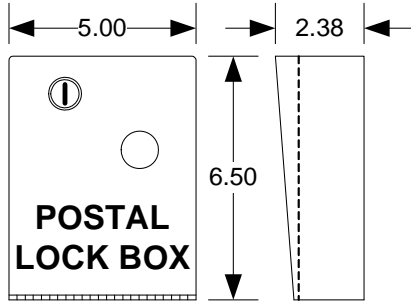
1404-080..... 184.00

- Operator reset station provides a manual reset control when an operator is in a hard shutdown condition
- Includes audible and visual alarm indicators
- Must be mounted in the line-of-site of the gate operator

Lock Boxes

Postal and Fire Department

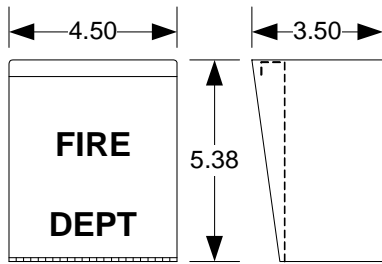
Postal and Fire Department lock boxes provide a method for these authorities to gain access through a vehicular access gate.



1402-080

1402-080..... 99.50

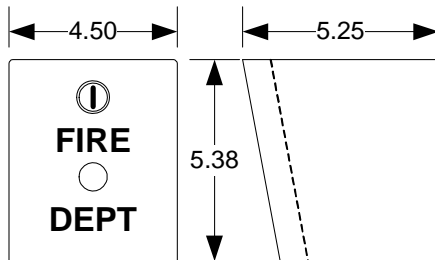
- Accepts standard postal key lock
- Postal lock can be installed to either open the 1402 box, or activate a door or gate
- Surface or post mount
- Painted postal blue



1400-080

1400-080..... 99.50

- Accepts Fire Department pad lock
- Cover opens and activates a switch when the pad lock is removed
- Gate or door will hold open until the cover is closed and the pad lock replaced
- Surface or post mount
- Painted bright red



1401-080

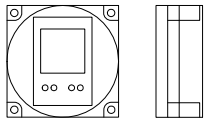
1401-080..... 99.50

- Accepts Knox 3501 key switch
- Surface or post mount
- Faceplate painted bright red, box is painted black

Accessories

Time Clock & Surge Suppressers

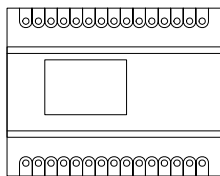
Electronic time clocks are ideal for use in applications where an access control system does not control “hold open” time periods. Vehicular gate operators and barrier gate operator systems are typical. Surge suppressers are designed to provide additional protection to equipment in areas prone to voltage spikes and surges. Surge suppressers come with a plastic mounting bracket. Red / Green traffic signal is ideal for all vehicular gate applications – providing a visual signal when the gate is safe to drive through.



2600-791

2600-791..... 205.50

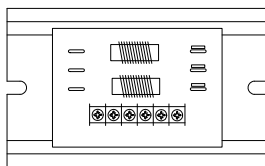
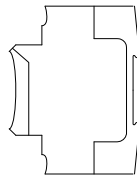
- 7 Day Time Clock
- 20 programs
- 24 Volt AC input power
- Form “C” dry contact relay



2600-795

2600-795..... 640.00

- 365 Day Time Clock
- 7-Day and 24 hour programming features
- Holiday programming
- Automatic leap-year adjustment through 2095
- Daylight savings time
- 24 Volt AC input power



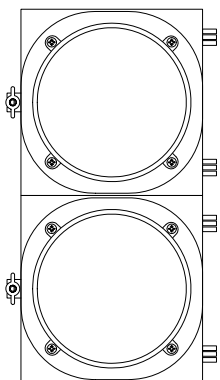
1876-010 / 1878-010

1876-010..... 124.00

- High Voltage (110-120 VAC)

1878-010..... 124.00

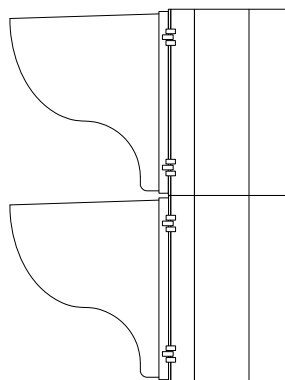
- Low Voltage (24-20 VAC)



1603-208

1603-208..... 704.00

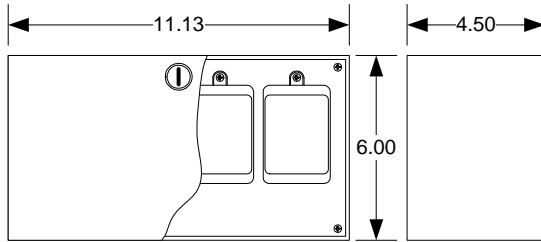
- Red / Green traffic signal
- 8-inch lens



Accessory Transformers

12, 16, 24 Volt AC & DC Transformers

A variety of accessory transformers are available to power the different products that we sell. AC transformers are typically used with access control devices and controllers, while DC transformers are used with magnetic locks and proximity card readers. Check the individual product to determine which transformer is required. NOTE: Many of our products INCLUDE a transformer.

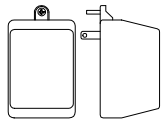


1200-080

Transformer Box

1200-080..... 130.00

- Holds up to four (4) 20-VA transformers
- Suitable for indoor and outdoor use
- Does not include transformers



20 VA Transformers

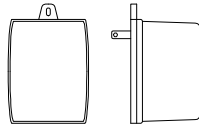
1215-061 12-Volt AC Output
 1804-059 24-Volt AC Output
 1804-060 16-Volt AC Output

20-VA Transformers

1215-061 12-Volt, AC..... 37.50

1804-059 24-Volt, AC..... 43.50

1804-060 16-Volt, AC..... 43.50

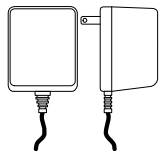


50 VA Transformer

1508-060 16-Volt AC Output

50-VA Transformer

1508-060 16-Volt, AC..... 48.00



DC Transformers

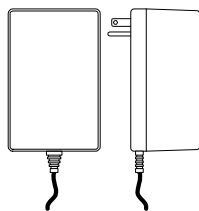
1215-060 24-Volt 350 mA
 1812-035 24-Volt 500 mA
 1812-037 12-Volt 1000 mA

DC Transformers

1215-060 24-Volt, 350 ma 43.50

1812-035 24-Volt, 500 ma 32.50

1812-037 12-Volt, 1000 ma 39.00



Regulated DC Transformer

1812-038 12-Volt 1000 mA

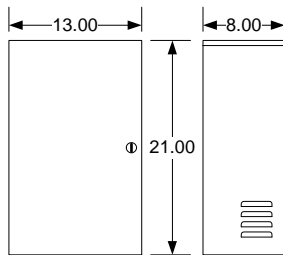
DC Regulated Transformer

1812-038 12-Volt, 1000 ma 97.50

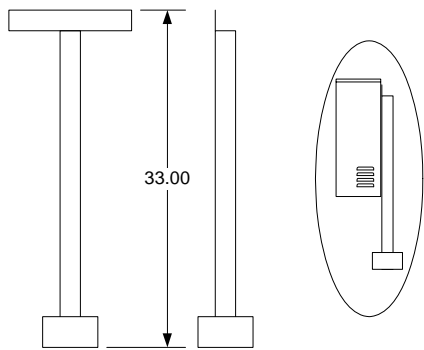
Models 1000 / 2000

Back-up Power / Inverters

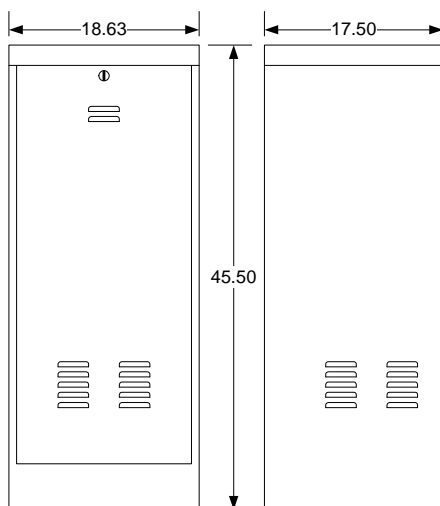
The model 1000 and 2000 Power Inverters are designed to provide backup 120 VAC power for gate operators and access control systems when primary (AC) power fails. The model 1000 is designed to provide power for two (2) gate operators and related access control system accessories while the model 2000 can provide power for up to six (6) gate operators and related access control accessories.



Model 1000



1000-045



Model 2000

Model 1000 Inverter

1000-080 1000 Watt, 9.0 Amp Maximum.....	1300.00
1000-081 1500 Watt, 12.5 Amp Maximum.....	1700.00

- The 1000 Watt inverter includes one (1) battery and will power one (1) 1/2 HP operator
- The 1500 Watt inverter includes two (2) batteries and will power two (2) 1/2 HP operators or one (1) 1 HP operator

1000-045 Post Mount for 1000 Inverter	214.00
1000-048 Battery & Cable Assembly.....	174.00

- Order this to add a second battery to the 1000 Watt inverter
- | | |
|------------------------|--------|
| 1801-005 Battery | 160.00 |
|------------------------|--------|
- 12 Volt, 35 AH SLA (Sealed Lead Acid) battery
- | | |
|----------------------------------|-------|
| 1000-044 Battery Cable Set | 14.00 |
|----------------------------------|-------|

Model 2000 Inverter

2000-080 1500 Watt, 12.5 Amp Maximum.....	6050.00
2000-081 2400 Watt, 20 Amp Maximum.....	6490.00
2000-082 3600 Watt, 30 Amp Maximum.....	6920.00

- Model 2000 inverters can power up to six (6) gate operators
- Model 2000 inverters require two (2) 12 Volt Deep Cycle batteries connected in series to provide a 24 Volt DC input to the inverter system
- Model 2000 inverters DO NOT include batteries

