

Section 5

Standard Telephone Entry Systems

1800 Series Telephone Entry Systems

Model 1802	2
Model 1802 EPD	3
Model 1803	4
Model 1808	5
Model 1810	6

No-Phone-Line Telephone Intercom Systems

Model 1812 Classic.....	8
Model 1812 Plus.....	9
Model 1816	10
Model 1820	11
1816 / 1820 Lobby Panels	12-13

Information Phone

1819.....	14
-----------	----

Light Kits / Directories

1720 Light Kit.....	15
1701, 1702, 1710 Add-On Directories	16

Mounting Posts / Mounting Kits

Mounting Kits	17
Architectural and Standard Mounting Posts	18
Designer Style Mounting Posts.....	19

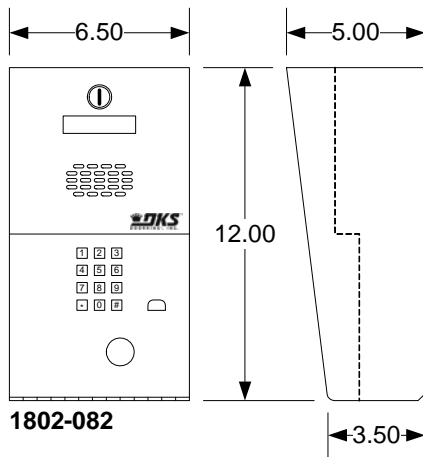
Accessories, Replacement Components

Postal / Fire Department Lock Boxes	20
Exit Push Buttons.....	21
Time Clocks & Surge Suppressers.....	22
Accessory Transformers	23
Handsets, CCTV Camera Kits	24
Replacement Components	25

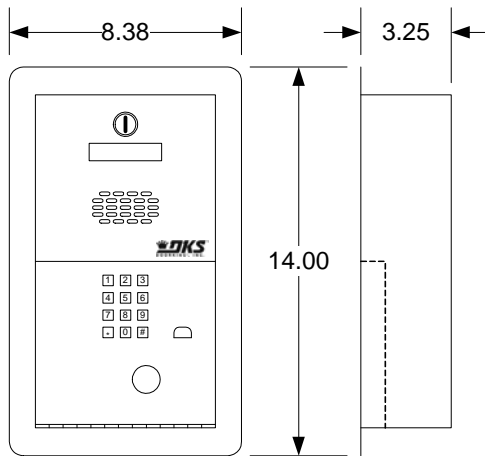
Model 1802

Telephone Entry

The 1802 is an ideal telephone entry system that is suited for applications that have limited space and can be used in residential as well as commercial applications, applications that do not require a directory, or in applications where a separate directory exist. Visitors are easily identified by voice communication and can be granted or denied access directly from a touch-tone telephone.



1802-082



1802-089

1802 - 1000 Memory

- 1802-082 Surface Mount Stainless1020.00
- 1802-089 Flush Mount Stainless1280.00

- Includes 16 VAC power transformer

Accessories

- 1701-080 20-Name Directory 130.00
- 1702-080 60-Name Directory 190.00
- 1710-080 Large Directory Surface Mount 400.00
- 1710-081 Large Directory Flush Mount 400.00
- 2600-588 Heater Kit 114.00
- 1812-140 Camera Kit 620.00
- 1814-075 Secondary Keypad 370.00

- Surface mount secondary keypad

- 1807-012 Handset Kit 314.00

- Not available on flush mount unit

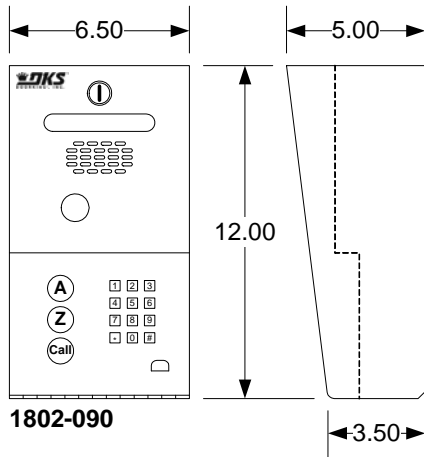
- Mounting Posts Pg 18-19

Model 1802 Specifications			
Max Phone Numbers	Max Entry Codes	Relays	Directory
1000	1000	2	None

Model 1802-EPD

Telephone Entry

The 1802 EPD is an ideal telephone entry system that is suited for applications that have limited space and can be used in residential as well as commercial applications. The built-in Electronic Directory eliminates the need for external or add-on directories. Visitors are easily identified by voice communication and can be granted or denied access directly from a touch-tone telephone.



1802 EPD - 100 Memory

1802-090 Surface Mount Stainless	1250.00
1802-091 Flush Mount Stainless	1510.00

- Includes 16 VAC power transformer

Accessories

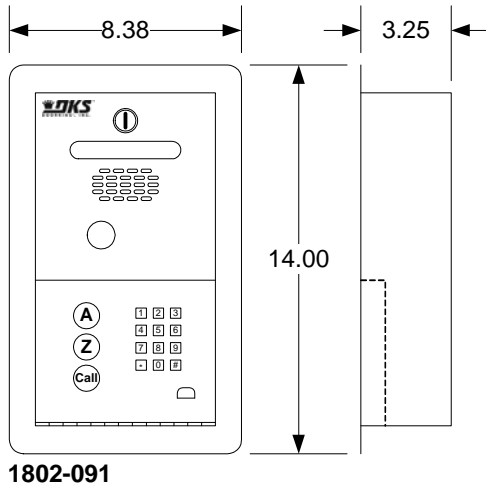
1812-140 Camera Kit	620.00
2600-582 LCD Heater	44.00
1807-012 Handset Kit	314.00

- Not available on flush mount unit

1814-075 Secondary Keypad	370.00
---------------------------------	--------

- Surface mount secondary keypad

Mounting Posts	Pg 18-19
----------------------	----------

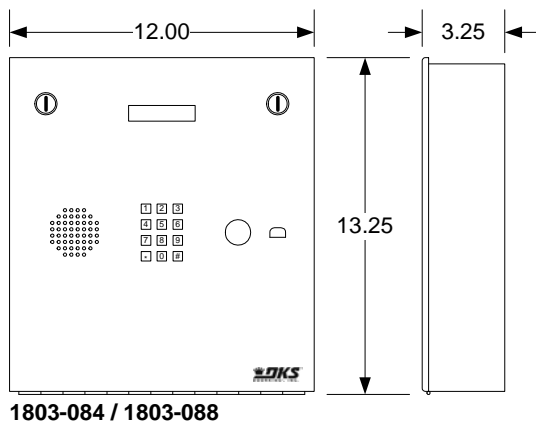
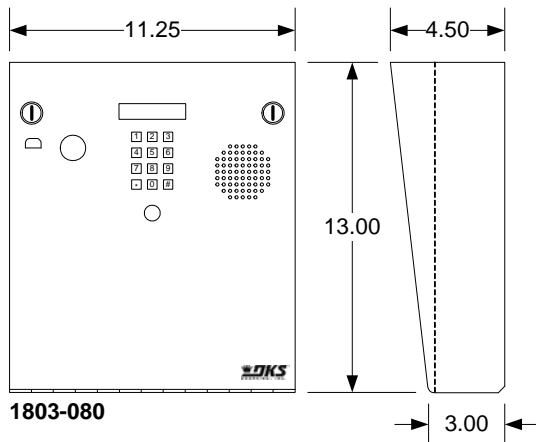


Model 1802-EPD Specifications			
Max Phone Numbers	Max Entry Codes	Relays	Directory
100	100	2	Single-line 16 Character 5/16-in LCD

Model 1803

Telephone Entry

The 1803 is an ideal telephone entry system that is suited for applications that do not require a directory, or in applications where a separate directory exist. Visitors are easily identified by voice communication and can be granted or denied access directly from a touch-tone telephone.



1803 – 1000 Memory

1803-080 Surface Mount Stainless	1340.00
1803-084 Flush Mount Stainless	1340.00
1803-088 Flush Mount Gold Plated	1990.00

- Includes 16 VAC power transformer

Mounting Options

1803-150 Surface Mount Recess Kit	196.00
1814-165 Flush Mount Kit Stainless	330.00
1814-166 Flush Mount Kit Gold	870.00
Mounting Posts	Pg 18-19

Accessories

1701-080 20-Name Directory	130.00
1702-080 60-Name Directory	190.00
1710-080 Large Directory Surface Mount	400.00
1710-081 Large Directory Flush Mount	400.00
1720-080 Fluorescent Light Kit	240.00
1812-145 Color Camera Kit	850.00
2600-584 Heater Kit	124.00
1814-075 Secondary Keypad	370.00

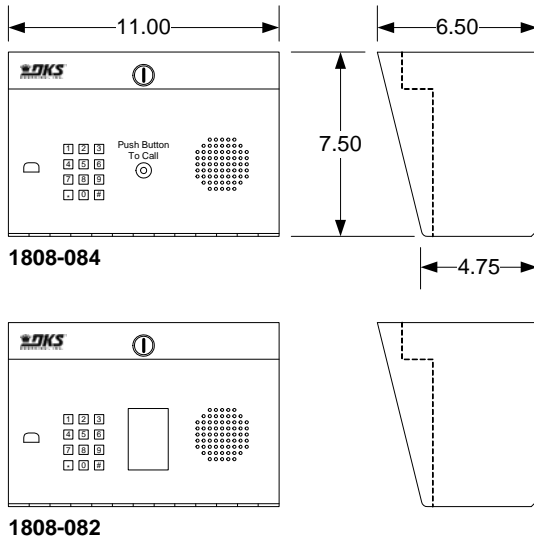
- Surface mount secondary keypad
- 1807-012 Handset Kit
- Not available on flush mount unit

Model 1803 Specifications			
Max Phone Numbers	Max Entry Codes	Relays	Directory
1000	1000	2	None

Model 1808

Telephone Entry

The 1808 is an ideal telephone entry system that is suited for applications that have limited space and can be used in residential as well as commercial applications. Visitors are easily identified by voice communication and can be granted or denied access directly from a touch-tone telephone.



1808 – 1000 Memory

1808-084 Surface Mount Stainless	1250.00
1808-082 Surface Mount w/Directory	1340.00

- Includes 16 VC power transformer

Accessories

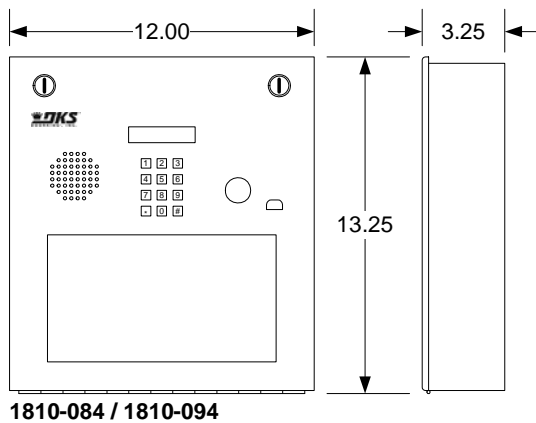
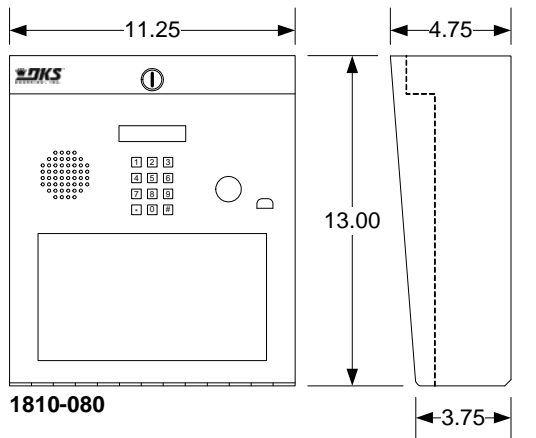
1701-080 20-Name Directory.....	130.00
1702-080 60-Name Directory.....	190.00
1710-080 Large Directory Surface Mount	400.00
1710-081 Large Directory Flush Mount	400.00
1720-080 Fluorescent Light Kit	240.00
1812-145 Color Camera Kit	850.00
2600-588 Heater Kit.....	114.00
1814-075 Secondary Keypad.....	370.00
• Surface mount secondary keypad	
Mounting Posts.....	Pg 18-19

Model 1808 Specifications			
Max Phone Numbers	Max Entry Codes	Relays	Directory
1000	1000	2	None or Small Paper Directory

Model 1810

Telephone Entry

The 1810 is an ideal telephone entry system that is suited for a wide variety of applications. The built-in lighted directory makes it a complete all-in-one compact unit and it is easy for managers to update by using a word processing program. Visitors are easily identified by voice communication and can be granted or denied access directly from a touch-tone telephone.



1810 – 1000 Memory

1810-080 Surface Mount Stainless	1300.00
1810-084 Flush Mount Stainless	1300.00
1810-092 Flush Mount Gold Plated	1950.00

- Includes 16 VAC power transformer

Mounting Options

1803-150 Surface Mount Recess Kit	196.00
1814-165 Flush Mount Kit Stainless	330.00
1814-166 Flush Mount Kit Gold	870.00
1810-102 Stainless Surface Mount Housing	330.00
Mounting Posts	Pg 18-19

Accessories

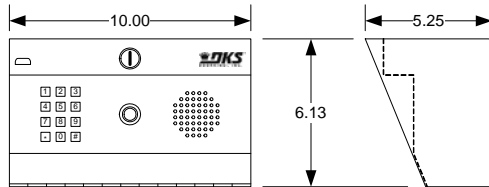
1701-080 20-Name Directory	130.00
1702-080 60-Name Directory	190.00
1710-080 Large Directory Surface Mount	400.00
1710-081 Large Directory Flush Mount	400.00
1720-080 Fluorescent Light Kit	240.00
1812-145 Color Camera Kit	850.00
• Use with 1810-084, 1810-092	
1812-147 Color Camera Kit	850.00
• Use with 1810-080	
2600-584 Heater Kit	124.00
1814-075 Secondary Keypad	370.00
• Surface mount secondary keypad	
1807-012 Handset Kit	314.00
• Handset not available on flush mount unit	

Model 1810 Specifications			
Max Phone Numbers	Max Entry Codes	Relays	Directory
1000	2	2	Paper

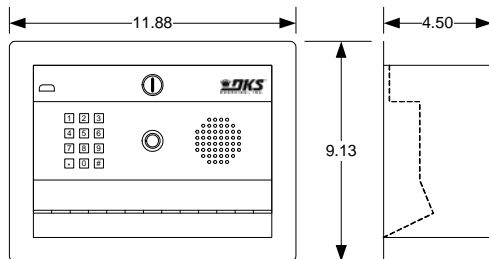
Model 1812 Classic

Telephone Intercom

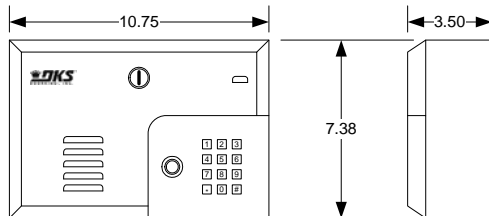
The 1812 Classic is a unique telephone intercom system that allows homeowners to use their telephone as an intercom to speak to a guest at a front door or gate. Visitors are easily identified by voice communication and can be granted or denied access directly from a touch-tone telephone.



1812-081 / 1812-085



1812-087 / 1812-086



1812-088

- 1812-081 Surface Mount Stainless1450.00
- 1812-085 Surface Mount Gold Plated Faceplate1670.00
- 1812-087 Flush Mount Stainless1640.00
- 1812-086 Flush Mount Gold Plated Faceplate1850.00
- 1812-088 Wall Mount1640.00

- Includes 24 VAC power transformer

Housing Options

- 1812-105 Stainless Steel Housing 110.00
- For 1812-081 and 1812-085
- 1812-106 Gold Plated Housing 220.00
- For 1812-081 and 1812-085

Accessories

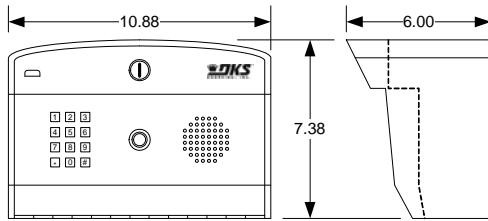
- Mounting PostsPg 18-19
- 1812-082 Secondary Keypad 370.00
- Surface mount secondary keypad
- 1812-197 Secondary Keypad 350.00
- Flush mount secondary keypad
- 2600-588 Heater Kit 114.00
- 1812-145 Color Camera Kit 850.00
- Use with 1812-088
- 1812-147 CCTV Camera Kit 850.00
- Use with 1812-081, 1812-085, 1812-087

Model 1812 Specifications			
Phone Line Interface	Forwarding Numbers	Max Entry Codes	Relays
1	3	50	2

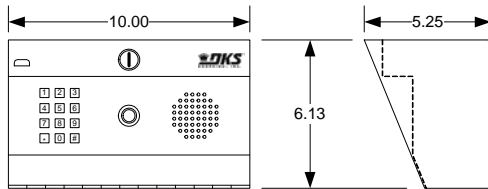
Model 1812 Plus

Telephone Intercom

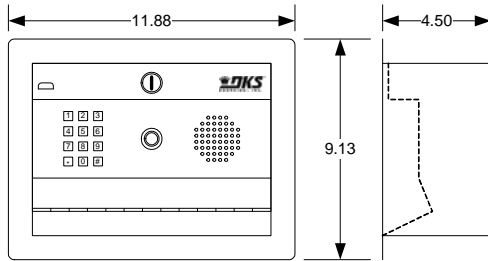
The 1812 Plus is a unique telephone intercom system that allows homeowners to use their telephone as an intercom to speak to a guest at a front door or gate. Visitors are easily identified by voice communication and can be granted or denied access directly from a touch-tone telephone. The 1812 Plus offers a crystal clear digital voice circuit and has many advanced features.



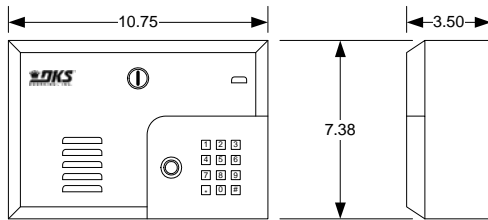
1812-095



1812-089 / 1812-076



1812-091 / 1812-078



1812-093

- 1812-095 Surface Mount Curved 1650.00
- 1812-089 Surface Mount Stainless 1450.00
- 1812-076 Surface Mount Gold Plated Faceplate..... 1670.00
- 1812-091 Flush Mount Stainless 1640.00
- 1812-078 Flush Mount Gold Plated Faceplate 1850.00
- 1812-093 Wall Mount 1640.00

- Includes 16 VAC power transformer

Housing Options

- 1812-105 Stainless Steel Housing 110.00
- For 1812-089 and 1812-076
- 1812-106 Gold Plated Housing..... 220.00
- For 1812-089 and 1812-076

Accessories

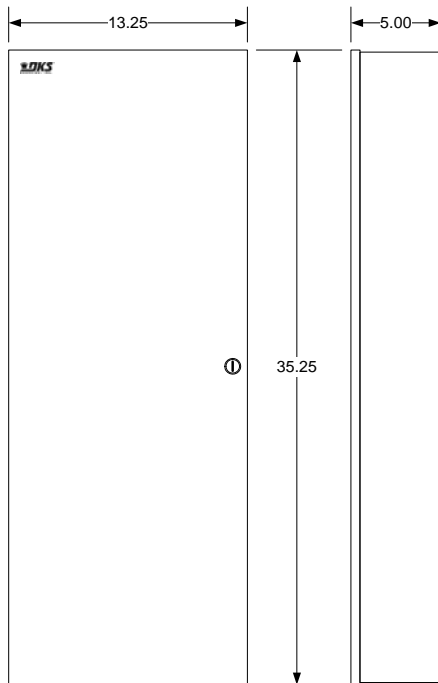
- Mounting Posts..... Pg 18-19
- 1812-082 Secondary Keypad..... 370.00
- Surface mount secondary keypad
- 1812-197 Secondary Keypad..... 350.00
- Flush mount secondary keypad
- 2600-588 Heater Kit..... 114.00
- 1812-145 Color Camera Kit 850.00
- Use with 1812-093
- 1812-147 CCTV Camera Kit 850.00
- Use with 1812-091, 1812-095
- 1812-073 Conversion Kit 1273.50
- Upgrades an older 1812 with an 1871-010 circuit board to an 1812 Plus with the 1971-010 circuit board

Model 1812 Specifications			
Phone Line Interface	Auto-Dial Numbers	Max Entry Codes	Relays
1	27	50	2

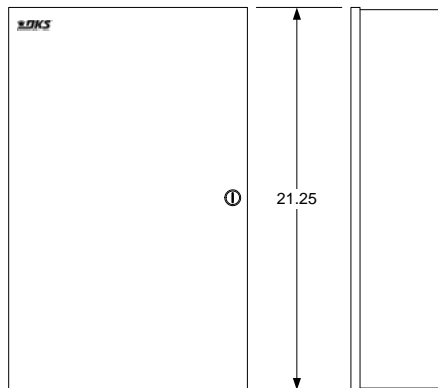
Model 1816

Telephone Intercom

The 1816 Telephone Intercom System is a unique communication and access control device that provides two-way voice communication and control of a main entry door through the resident's own telephone without the need of a central office (C.O.) phone line. This eliminates the need for costly hard-wired intercom systems, monthly line charges and equipment lease payments.



1816-080 / 1816-081



1816-082

Step 1: Choose a Main Control Cabinet

1816-080 Houses 13 Relay Boards (156 Lines).....	1840.00
1816-082 Houses 5 Relay Boards (60 Lines).....	1620.00

- Main control cabinets do not include relay boards

Step 2: Relay Boards

1982-010

1 – 13 Boards	590.00
14 – 29 Boards	550.00
30 + Boards	510.00

- One (1) relay board required for every 12 phone lines to be interfaced

Step 3: Decoder Boards (if required)

1881-010.....	270.00
---------------	--------

- Decoder board(s) are required if system expands beyond five (5) relay boards
- One (1) decoder board is required for every eight (8) relay boards added to the system after the first five (5) relay boards.

Step 4: Auxiliary Cabinet (if required)

1816-081.....	540.00
---------------	--------

- Holds up to 16 relay boards and two (2) decoder boards

Step 5: Phone Blocks & Cables

1816-046 RJ71C Phone Block.....	226.00
---------------------------------	--------

- One (1) RJ71C required for each relay board in the system

1882-042 Connecting Cable (15-ft).....	88.00
--	-------

- One (1) connecting cable required for each relay board in the system

1882-044 Connecting Cable Special Length	1.50 / ft
--	-----------

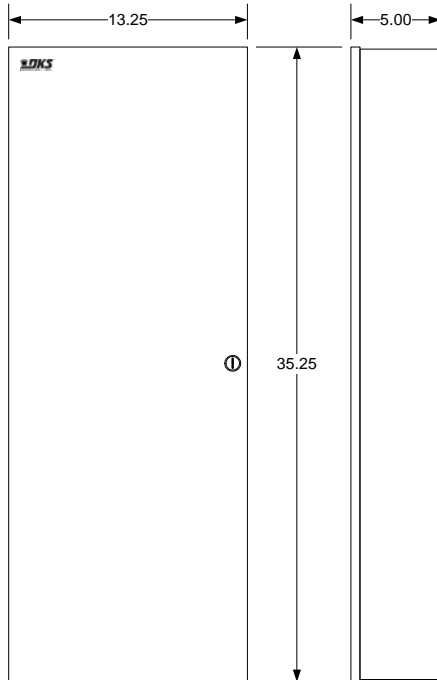
- Add cost per foot to 1882-042

Step 6: Choose a Lobby Panel..... Pg 12-13

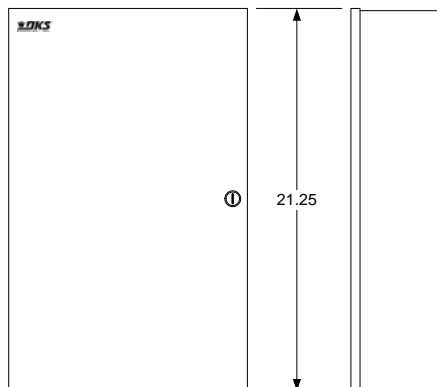
Model 1820

Telephone Intercom

The 1820 Telephone Intercom System is a unique communication and access control device that provides two-way voice communication and control of a main entry door through the resident's own telephone without the need of a central office (C.O.) phone line. The 1820 has an easy to use "call down" feature that allows a building resident to quickly contact the Doorman, Concierge (or any other station designated as the call down station) by pressing two buttons on their touch-tone phone.



1820-080 / 1820-081



1820-082 / 1820-083

Step 1: Choose a Main Control Cabinet

1820-080 Houses 9 Interface Boards (108 Lines)	1840.00
1820-082 Houses 4 Interface Boards (48 Lines)	1620.00

- Main control cabinets do not include line interface boards

Step 2: Line Interface Boards

1884-010	1280.00
----------------	---------

- One (1) line interface board required for every 12 phone lines to be interfaced

Step 3: Power Supply Boards (if required)

1886-010	216.00
----------------	--------

- Only required if more than 21 line interface boards are used, then one (1) required for every 21 line interface boards in the system thereafter

1508-060 Power Transformer	41.50
----------------------------------	-------

- One (1) required for each 1886-010 power supply board

Step 4: Auxiliary Cabinet (if required)

1820-081 Large Cabinet	540.00
------------------------------	--------

- Holds up to 12 line interface boards and one (1) power supply board

1820-083 Small Cabinet	330.00
------------------------------	--------

- Holds up to eight (8) line interface boards or seven (7) line interface boards and one (1) power supply board

Step 5: Phone Blocks & Cables

1816-046 RJ71C Phone Block	226.00
----------------------------------	--------

- One (1) RJ71C required for each relay board in the system

1820-047 RJ71C Phone Block Powered	260.00
--	--------

- Use in place of 1816-046 if resident(s) do not have central office phone service and call down feature is enabled

1882-042 Connecting Cable (15-ft)	88.00
---	-------

- One (1) connecting cable required for each relay board in the system

1882-044 Connecting Cable Special Length	1.50 / ft
--	-----------

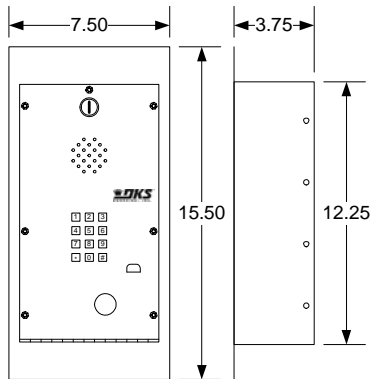
- Add cost per foot to 1882-042

Step 6: Choose a Lobby Panel Pg 12-13

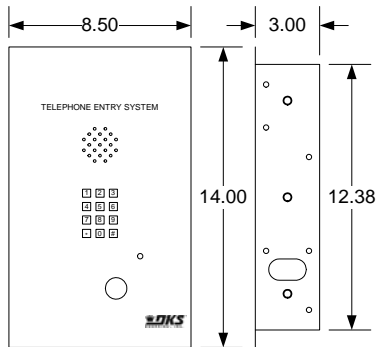
Model 1816 / 1820

1802 / 1803 Lobby Panels

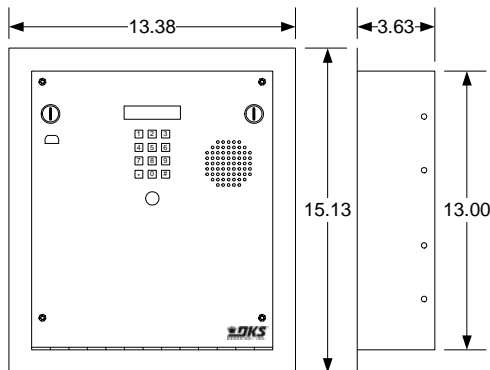
Lobby panels can only be used with the 1816 or 1820 telephone intercom systems; they cannot be connected directly to a central office phone line.



1802-085 / 1802-086
Shown with 1802-150 Frame



1802-087 / 1802-088
Shown with 1802-152 Box



1803-097
Shown with 1803-150 Recess Kit

1802 Vandal Resistant Lobby Panels

1802-085 Front Access with Postal Provision 950.00

- Requires 1802-150 frame assembly

1802-086 Front Access no Postal Provision 950.00

- Requires 1802-150 frame assembly

1802-087 Rear Access with Postal Provision 1010.00

- Requires 1802-152 box assembly

1802-088 Rear Access no Postal Provision 1010.00

- Requires 1802-152 box assembly

1802 Lobby Panels

1802-083 Surface Mount 760.00

1802-084 Surface Mount with Handset 990.00

1802 Lobby Panel Mounting Accessories

1802-150 Frame Assembly 180.00

1802-152 Box Assembly 60.00

1803 Vandal Resistant Lobby Panel

1803-097 Front Access no Postal Provision 1060.00

- Requires 1803-150 Recess Kit

1803 Lobby Panels

1803-090 Surface Mount 890.00

1803-091 Surface Mount with Handset 1100.00

1803-092 Flush Mount 890.00

1803-093 Flush Mount with Handset 1100.00

1803-094 Flush Mount Gold Plated 1540.00

1803 Lobby Panel Mounting Accessories

1803-150 Surface Mount Recess Kit 196.00

1814-165 Flush Mount Kit Stainless 330.00

1814-166 Flush Mount Kit Gold 870.00

Accessories

1701-080 20-Name Directory 130.00

1702-080 60-Name Directory 190.00

1710-080 Large Directory Surface Mount 400.00

1710-081 Large Directory Flush Mount 400.00

1720-080 Fluorescent Light Kit 240.00

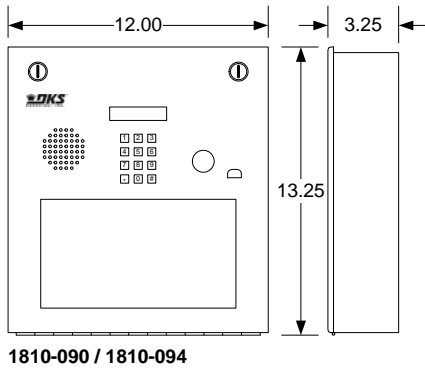
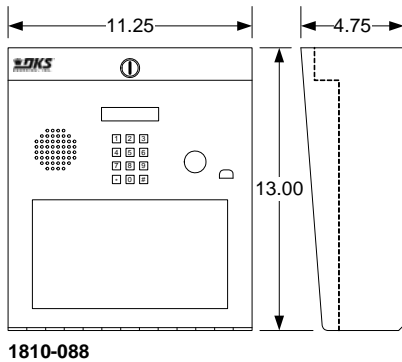
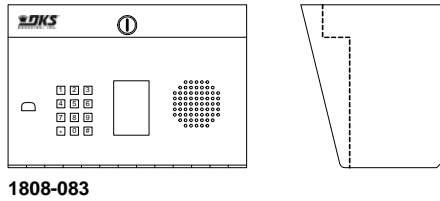
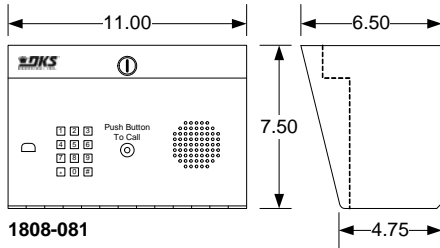
1812-145 Color Camera Kit 850.00

- Use with 1803-090, 1803-092, 1803-097

Model 1816 / 1820

1808 / 1810 Lobby Panels

Lobby panels can only be used with the 1816 or 1820 telephone intercom systems; they cannot be connected directly to a central office phone line.



1808 Lobby Panels

1808-081 Surface Mount	870.00
1808-083 Surface Mount w/Directory	950.00

- 1808 lobby panels do not have any postal lock provisions
- Small paper directory in 1808-083 model can show approximately 10 names, depending on font size and style used

1810 Lobby Panels

1810-088 Surface Mount	1010.00
1810-090 Flush Mount	1010.00
1810-094 Flush Mount Gold-Plated	1660.00

1810 Lobby Panel Mounting Accessories

1803-150 Surface Mount Recess Kit	196.00
1814-165 Flush Mount Kit Stainless.....	330.00
1814-166 Flush Mount Kit Gold	870.00

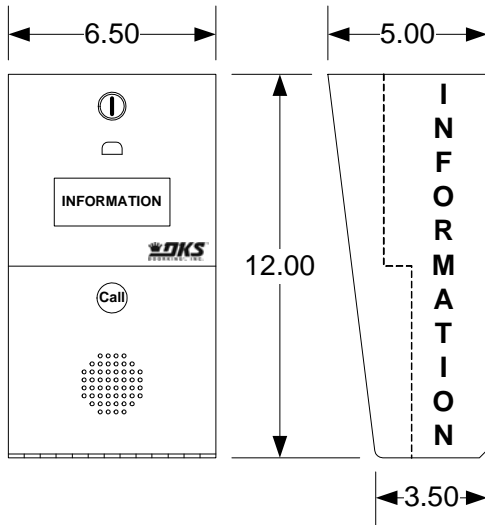
Accessories

1701-080 20-Name Directory.....	130.00
1702-080 60-Name Directory.....	190.00
1710-080 Large Directory Surface Mount	400.00
1710-081 Large Directory Flush Mount	400.00
1720-080 Fluorescent Light Kit	240.00
1812-145 Color Camera Kit	850.00
• Use with 1808-083, 1810-090, 1810-094	
1812-147 Color Camera Kit	850.00
• Use with 1810-088	

Model 1819

Information Phone

The 1819 is an information telephone that is suited for applications that require only a single phone number to be called. Visitors simply press the single CALL button to establish communication and are easily identified by voice communication. Access can be granted or denied directly from a touch-tone telephone.



1819-080.....1180.00

- Includes 16 VAC power transformer

2600-588 Heater Kit..... 114.00

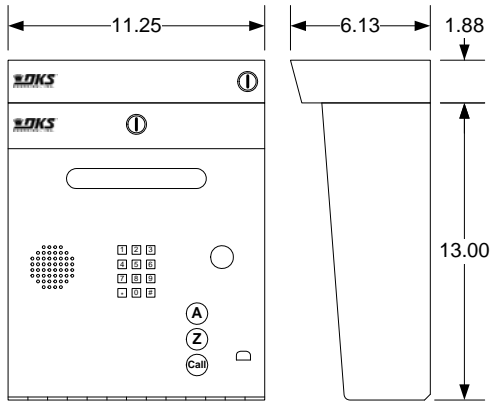
Mounting Posts.....Pg 18-19

Model 1819 Specifications			
Max Phone Numbers	Max Entry Codes	Relays	Directory
1	N/A	1	None

Model 1720

Fluorescent Light Kit

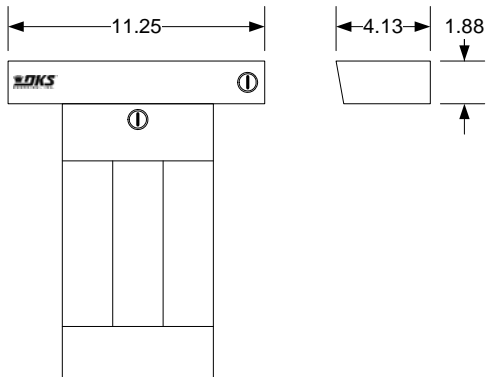
Fluorescent light kits are designed to offer improved lighting for DKS telephone entry systems and add-on directories. Fluorescent lighting provides exceptional visibility on the entry system face plate allowing easy use of the systems even at night.



1720-080 shown mounted on surface mount telephone entry system

1720-080 Long 240.00

- Use with surface mount telephone entry units
- Includes power transformer



1720-081 shown mounted on 1702 directory

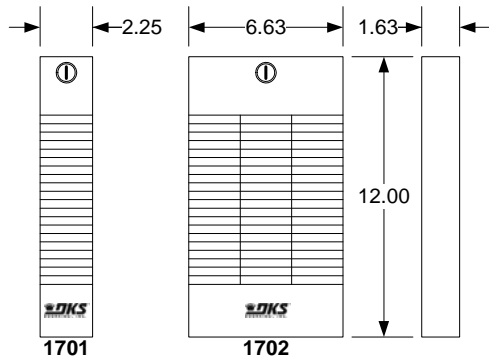
1720-081 Short 240.00

- Use with add-on directories
- Includes power transformer

Model 1701 / 1702 / 1710

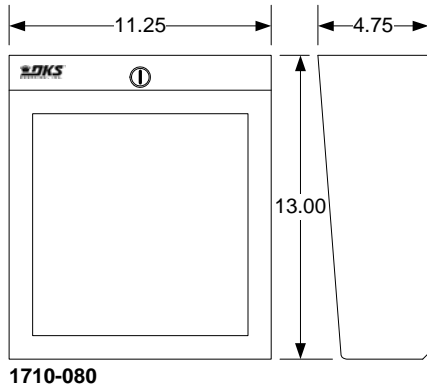
Add-On Directories

These add-on directories can be used in both indoor and outdoor applications. Use the 1701 and 1702 for low capacity, non-lighted applications. The 1710 is ideal for higher capacity applications and is lighted.



1701 / 1702 Directories

1701-080.....	130.00
• 20 name capacity	
1702-080.....	190.00
• 60 name capacity	

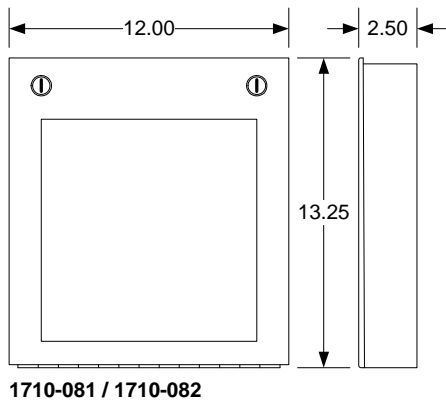


1710 Directories

1710-080 Surface Mount	400.00
1710-081 Flush Mount.....	400.00
1710-082 Flush Mount Gold Plated	1050.00
• 1710 directories use standard size paper (8-1/2 x 11). Number of names is dependant on font style, size and spacing used.	

1710 Directory Mounting Accessories

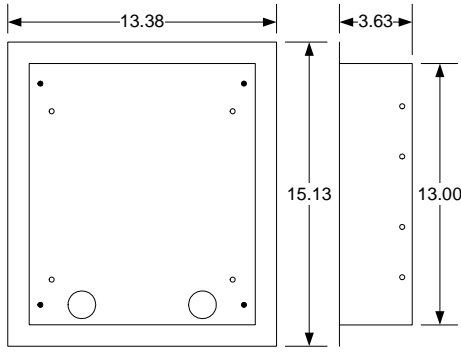
1803-150 Surface Mount Recess Kit	196.00
1814-165 Flush Mount Kit Stainless.....	330.00
1814-166 Flush Mount Kit Gold	870.00



Accessories

Mounting Kits

Mounting kits are used to simplify installation of surface and flush mount telephone entry systems and directories.

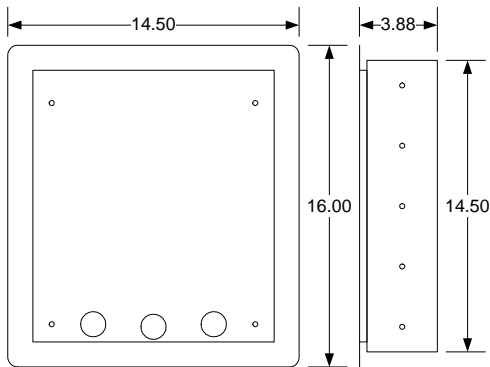


1803-150

Surface Mount Recess Kit

1803-150..... 196.00

- Use with surface mount 1803 and 1810 telephone entry systems and with 1710 directory



1814-165 / 1814-166

Flush Mount Kits

1814-165 Stainless Steel 330.00

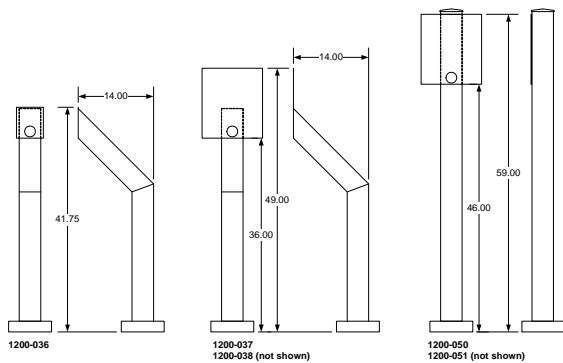
1814-166 Gold Plated 870.00

- Use with flush mount 1803 and 1810 telephone entry systems and with 1710 directory

Mounting Posts

Architectural & Standard Mounting Posts

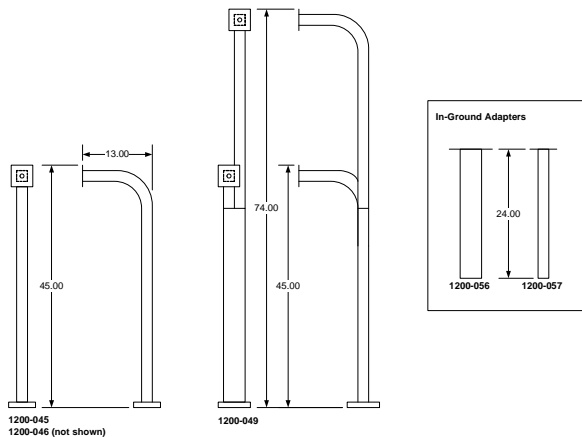
Architectural and standard mounting posts are designed for pad mounting or can be mounted using an in-ground adapter. All posts include a base plate and base plate cover. The architectural posts are available in an offset configuration for vehicular traffic, or can be ordered in a straight configuration for walk-up pedestrian applications. The standard posts are available in a gooseneck design only.



Architectural Posts

1200-036 Offset Pad Mount Small	???.00
1200-037 Offset Pad Mount	476.00
1200-038 Offset In-Ground Mount	433.00
1200-050 Straight Pad Mount.....	412.00
1200-051 Straight In-Ground Mount	360.50
1200-056 In-Ground Adapter.....	290.00

- These posts are constructed from 4" x 4" steel stock and have a 8" x 8" base plate
- In-ground adapter provides a mount for posts with base plates
- In-ground mount posts do not have a base plate and extend an additional 24 inches in length



Standard Posts

1200-045 Pad Mount	214.00
1200-046 In-Ground Mount.....	214.00
1200-049 Dual Height	422.00
1200-057 In-Ground Adapter.....	190.00

- These posts are constructed from 2" x 2" steel stock and have a 5" x 5" base plate
- In-ground adapter provides a mount for posts with base plates
- In-ground mount posts do not have a base plate and extend an additional 24 inches in length

Accessories

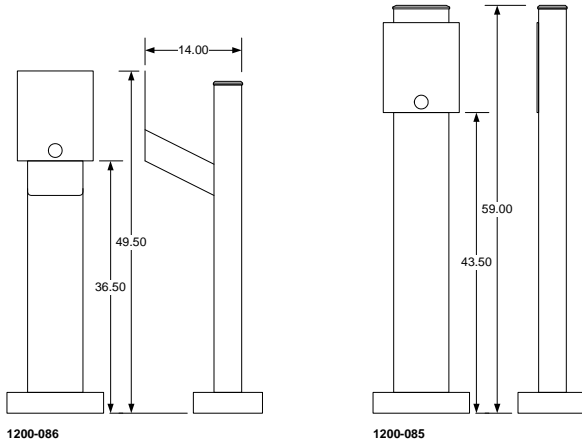
1802-110 Adapter Plate.....	50.00
-----------------------------	-------

- Use with 1200-036, 1200-045, 1200-046, 1200-049 mounting posts to mount 1802, 1802-EPD and 1819 telephone entry systems to these posts

Mounting Posts

Designer Style Mounting Posts

Designer style mounting posts are designed for pad mounting or can be mounted using the in-ground adapter. All posts include a base plate and base plate cover. These posts are available in an offset configuration for vehicular traffic, or can be ordered in a straight configuration for walk-up pedestrian applications. An electrical compartment can hold up to four (4) accessory transformers, three (3) surge suppressers and an RF radio receiver. Additionally, the optional light extension provides exceptional illumination.



Designer Posts

1200-086 Offset Pad Mount	1500.00
1200-085 Straight Pad Mount	1430.00
1200-058 In-Ground Adapter	590.00
1200-053 Post Cap	110.00

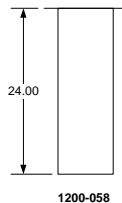
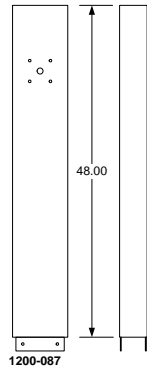
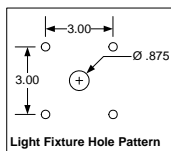
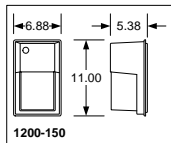
- These posts are constructed from 4" x 8" steel stock and have a 10" x 14" base plate
- In-ground adapter provides a mount for posts with base plates

1200-087 Light Tower	580.00
----------------------------	--------

- Does not include light assembly

1200-150 Light Assembly	390.00
-------------------------------	--------

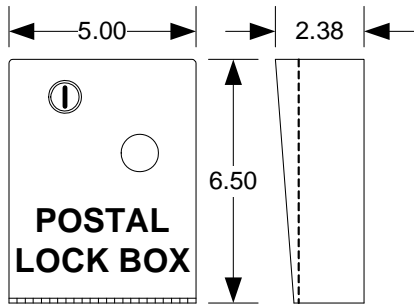
- 120 Volt Fluorescent light
- Photocell for automatic dusk-to-dawn operation
- Cast aluminum back



Lock Boxes

Postal and Fire Department

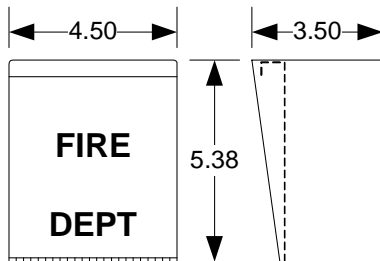
Postal and Fire Department lock boxes provide a method for these authorities to gain access through a controlled access point.



1402-080

1402-080..... 99.50

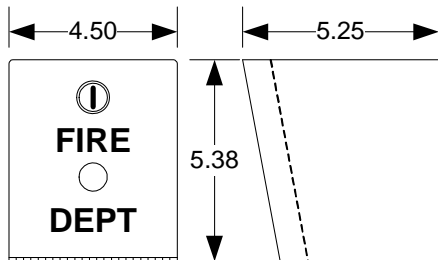
- Accepts standard postal key lock
- Postal lock can be installed to either open the 1402 box, or activate a door or gate
- Surface or post mount
- Painted postal blue



1400-080

1400-080..... 99.50

- Accepts Fire Department pad lock
- Cover opens and activates a switch when the pad lock is removed
- Gate or door will hold open until the cover is closed and the pad lock replaced
- Surface or post mount
- Painted bright red



1401-080

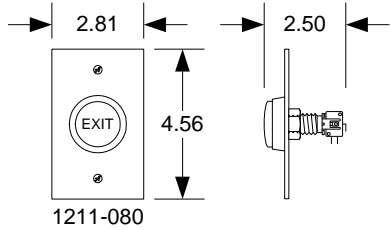
1401-080..... 99.50

- Accepts Knox 3501 key switch
- Surface or post mount
- Faceplate painted bright red, box is painted black

Exit Push Buttons

Standard & Piezoelectric Switches

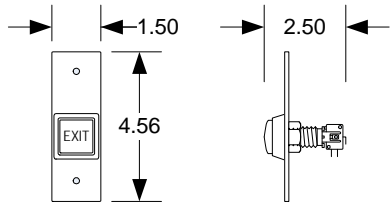
These push buttons are typically used as “request to exit” devices in access control applications. They can be installed in a single-gang electric box or can be mullion mounted.



1211-080

1211-080..... 52.00

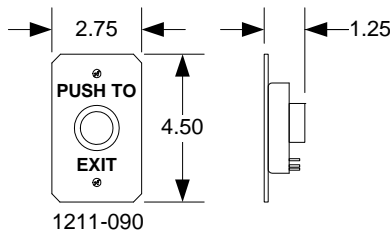
- Stainless steel faceplate
- Requires 12-volt AC or DC power to illuminate exit button
- Mounts into a single-gang electric box



1211-081

1211-081..... 48.00

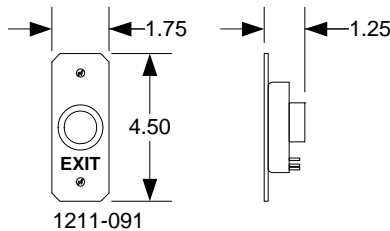
- Stainless steel faceplate
- Requires 12-volt AC or DC power to illuminate exit button
- Mullion mount



1211-090

1211-090..... 298.00

- Vandal resistant stainless steel faceplate and button cap
- Piezoelectric switch
- Selectable illumination status (red, green)
- Requires 12 to 24 Volt DC power
- Mounts into a single-gang electric box



1211-091

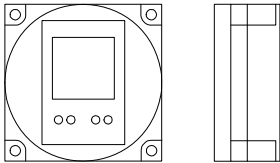
1211-091..... 298.00

- Vandal resistant stainless steel faceplate and button cap
- Piezoelectric switch
- Selectable illumination status (red, green)
- Requires 12 to 24 Volt DC power
- Mullion mount

Accessories

Time Clock & Surge Suppressers

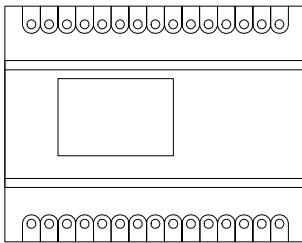
Electronic time clocks are ideal for use in applications where an access control system does not control "hold open" time periods. Surge suppressers are designed to provide additional protection to equipment in areas prone to voltage spikes and surges. Surge suppressers come with a plastic mounting bracket.



2600-791

2600-791..... 205.50

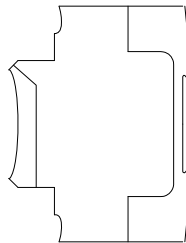
- 7 Day Time Clock
- 20 programs
- 24 Volt AC input power
- Form "C" dry contact relay



2600-795

2600-795..... 640.00

- 365 Day Time Clock
- 7-Day and 24 hour programming features
- Holiday programming
- Automatic leap-year adjustment through 2095
- Daylight savings time
- 24 Volt AC input power



1876-010..... 124.00

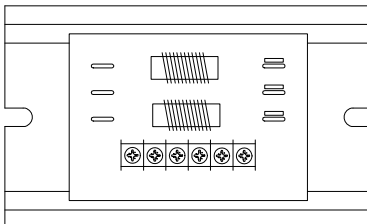
- High Voltage (110-120 VAC)

1877-010..... 124.00

- Phone Line

1878-010..... 124.00

- Low Voltage (24-20 VAC)

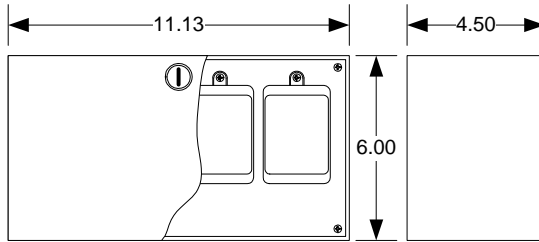


1876-010 / 1877-010 / 1878-010

Accessory Transformers

12, 16, 24 Volt AC & DC Transformers

A variety of accessory transformers are available to power the different products that we sell. AC transformers are typically used with access control devices and controllers, while DC transformers are used with magnetic locks and proximity card readers. Check the individual product to determine which transformer is required. NOTE: Many of our products INCLUDE a transformer.

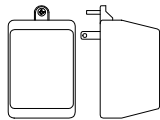


1200-080

Transformer Box

1200-080..... 130.00

- Holds up to four (4) 20-VA transformers
- Suitable for indoor and outdoor use
- Does not include transformers

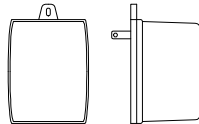


20 VA Transformers

1215-061 12-Volt AC Output
 1804-059 24-Volt AC Output
 1804-060 16-Volt AC Output

20-VA Transformers

1215-061 12-Volt, AC..... 37.50
 1804-059 24-Volt, AC..... 43.50
 1804-060 16-Volt, AC..... 43.50

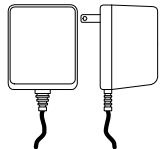


50 VA Transformer

1508-060 16-Volt AC Output

50-VA Transformer

1508-060 16-Volt, AC..... 48.00

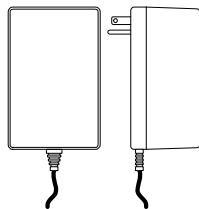


DC Transformers

1215-060 24-Volt 350 mA
 1812-035 24-Volt 500 mA
 1812-037 12-Volt 1000 mA

DC Transformers

1215-060 24-Volt, 350 ma 43.50
 1812-035 24-Volt, 500 ma 32.50
 1812-037 12-Volt, 1000 ma 39.00



Regulated DC Transformer

1812-038 12-Volt 1000 mA

DC Regulated Transformer

1812-038 12-Volt, 1000 ma 97.50

Accessories

Handset Kits, CCTV Camera Kits

Handset Conversion Kit	
1807-012	314.00
Handset, adapter, hanger and speaker cover	
Replacement Handset	
1807-006	272.00

Isolation Transformers	
1830-140	64.00
Use with 1803, 1810	
1830-141	64.00
Use with 1812	

Miscellaneous	
1801-008 Backup Battery 12-Volt .8 AH	76.00
1804-193 External Speaker	108.00
Use in high noise areas	
1814-075 Secondary Keypad	370.00
Use with 1803, 1810	
2600-584 Heater Kit	124.00
2600-588 Heater Kit	114.00
2600-582 LCD Heater Kit	44.00
1816-070 Line Sense Relay	44.00
2600-655 Replacement Key HL 302	4.60
2600-657 Replacement Key 16120	4.60

CCTV Camera Kit – High Resolution	
1812-145	850.00
High resolution color camera kit (camera, mounting bracket, wire harness, power supply)	
Use this camera with the following models:	
1803-080, 1803-083, 1803-084, 1803-088, 1803-090, 1803-092, 1803-097	
1808-082, 1808-083, 1808-084	
1810-084, 1810-090, 1810-092, 1810-094	
1812-088, 1812-093, 1812-094	
1833-080, 1833-081, 1833-084, 1833-085	
1834-084, 1834-085, 1834-089	
1835-084, 1835-085, 1835-089	
1837-080, 1837-081, 1837-084, 1837-085, 1837-089	
1838-120, 1838-021	

CCTV Camera Kit – High Resolution	
1812-147	850.00
High resolution camera kit (camera, mounting bracket, wire harness, power supply)	
Use this camera with the following models:	
1504-080, 1504-081, 1504-082, 1504-083, 1504-084, 1504-085, 1504-086, 1504-090, 1504-091, 1504-120, 1504-121	
1810-080, 1810-088	
1812-081, 1812-085, 1812-086, 1812-087, 1812-090, 1812-091, 1812-092, 1812-095, 1812-096	
1834-080, 1834-081	
1835-080, 1835-081	

CCTV Camera Kit – Low Resolution	
1812-140	620.00
Low resolution camera kit (camera, mounting bracket, wire harness, power supply)	
Use this camera with the following models:	
1802-082, 1802-083, 1802-089, 1802-090, 1802-091	

Video Adapter	
1812-039	420.00
Converts coax to twisted pair for wire runs of up to 3000-ft (B/W) or 1600-ft (color), two required	

Replacement Components

Electronic Components

Circuit Boards	
1862-010.....	840.00
Use with 1802, 1802-EPD, 1803, 1810, 1819	
1863-010.....	600.00
Use with all "P" series lobby panels	
1871-010.....	1225.00
Use with 1812 Classic only	
1971-010.....	1225.00
Use with 1812 Plus only	
1890-010.....	220.00
LCD Programming display for 1802, 1803, 1810	

LED Light Kits	
1804-700.....	52.00
Use with 1810 surface mount	
1804-701.....	20.00
Use with 1802 surface mount	
1804-702.....	36.00
Use with 1808	
1804-703.....	36.00
Use with 1710 directory	
1804-704.....	20.00
Use with 1812	
1804-707.....	36.00
Use with 1810 flush mount	

Keypads	
1895-016.....	110.00
Keypad with letters	
1895-017.....	110.00
Keypad no letters	
1895-019.....	106.00
Keypad 10-pin use with 1815-075	
1804-038.....	20.00
Ribbon cable for 1895-016 & 1895-017	
1804-155.....	130.00
Keypad (no letters) & ribbon cable	
1804-156.....	130.00
Keypad (with letters) & ribbon cable	
1804-013.....	160.00
Keypad & ribbon cable Gold Plated	

Miscellaneous	
1998-020.....	84.00
Replacement microphone kit	
1998-010.....	84.00
Replacement microphone board	
1997-190.....	6.80
Microphone wire harness for 1998-010 only	
1598-010.....	54.00
Secondary keypad (1814-075) interface board	
1899-010.....	150.00
Fluorescent light ballast assembly	
1804-034.....	32.00
Fluorescent bulb	
1804-290.....	24.00
5-watt speaker (square)	
1817-190.....	34.00
Oval speaker	

