

# Section 5

## Standard Telephone Entry Systems

### 1800 Series Telephone Entry Systems

|                      |   |
|----------------------|---|
| Model 1802 .....     | 2 |
| Model 1802 EPD ..... | 3 |
| Model 1803 .....     | 4 |
| Model 1808 .....     | 5 |
| Model 1810 .....     | 6 |

### No-Phone-Line Telephone Intercom Systems

|                                |       |
|--------------------------------|-------|
| Model 1812 Classic.....        | 8     |
| Model 1812 Plus.....           | 9     |
| Model 1816 .....               | 10    |
| Model 1820 .....               | 11    |
| 1816 / 1820 Lobby Panels ..... | 12-13 |

### Information Phone

|           |    |
|-----------|----|
| 1819..... | 14 |
|-----------|----|

### Light Kits / Directories

|   |    |
|---|----|
| 1720 Light Kit.....                       | 15 |
| 1701, 1702, 1710 Add-On Directories ..... | 16 |

### Mounting Posts / Mounting Kits

|   |    |
|---|----|
| Mounting Kits .....                             | 17 |
| Architectural and Standard Mounting Posts ..... | 18 |
| Designer Style Mounting Posts.....              | 19 |

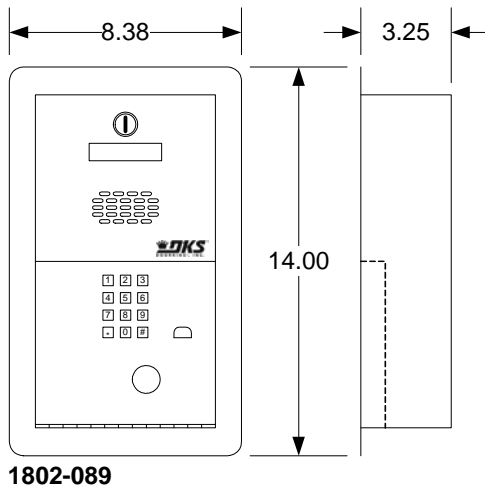
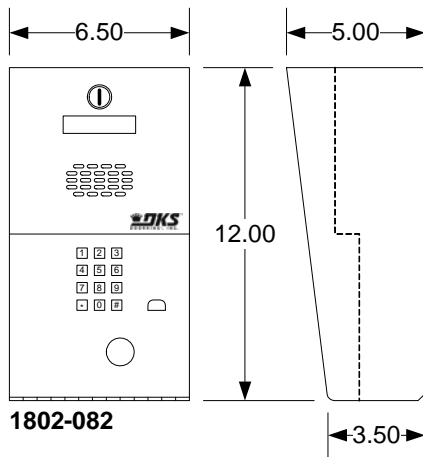
### Accessories, Replacement Components

|   |    |
|---|----|
| Postal / Fire Department Lock Boxes ..... | 20 |
| Exit Push Buttons.....                    | 21 |
| Time Clocks & Surge Suppressers.....      | 22 |
| Accessory Transformers .....              | 23 |
| Handsets, CCTV Camera Kits .....          | 24 |
| Replacement Components .....              | 25 |

## Model 1802

### Telephone Entry

The 1802 is an ideal telephone entry system that is suited for applications that have limited space and can be used in residential as well as commercial applications, applications that do not require a directory, or in applications where a separate directory exist. Visitors are easily identified by voice communication and can be granted or denied access directly from a touch-tone telephone.



#### 1802 - 1000 Memory

1802-082 Surface Mount Stainless .....1020.00  
1802-089 Flush Mount Stainless .....1280.00

- Includes 16 VAC power transformer

#### Accessories

1701-080 20-Name Directory ..... 130.00  
1702-080 60-Name Directory ..... 190.00  
1710-080 Large Directory Surface Mount ..... 400.00  
1710-081 Large Directory Flush Mount ..... 400.00  
2600-588 Heater Kit ..... 114.00  
1812-140 Camera Kit ..... 620.00  
1814-075 Secondary Keypad ..... 370.00

- Surface mount secondary keypad

1807-012 Handset Kit ..... 314.00

- Not available on flush mount unit

1802-111 Post Mount Adapter Plate ..... 99.00

- Required to mount surface mount units to mounting posts

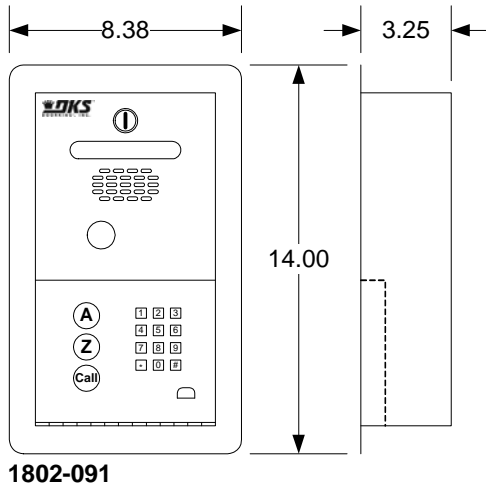
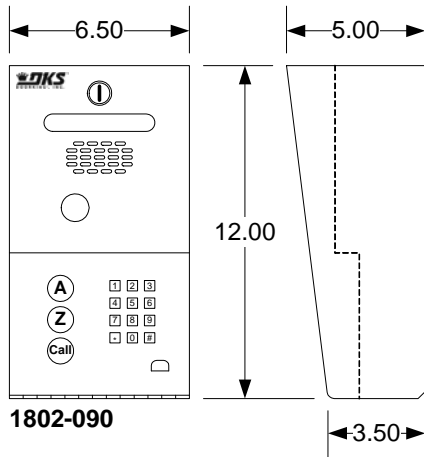
Mounting Posts .....Pg 18-19

| Model 1802 Specifications |                 |        |           |
|---------------------------|-----------------|--------|-----------|
| Max Phone Numbers         | Max Entry Codes | Relays | Directory |
| 1000                      | 1000            | 2      | None      |

## Model 1802-EPD

### Telephone Entry

The 1802 EPD is an ideal telephone entry system that is suited for applications that have limited space and can be used in residential as well as commercial applications. The built-in Electronic Directory eliminates the need for external or add-on directories. Visitors are easily identified by voice communication and can be granted or denied access directly from a touch-tone telephone.



#### 1802 EPD - 100 Memory

1802-090 Surface Mount Stainless ..... 1250.00  
 1802-091 Flush Mount Stainless ..... 1510.00

- Includes 16 VAC power transformer

#### Accessories

1812-140 Camera Kit ..... 620.00  
 2600-582 LCD Heater ..... 44.00  
 1807-012 Handset Kit ..... 314.00

- Not available on flush mount unit

1814-075 Secondary Keypad ..... 370.00

- Surface mount secondary keypad

1802-111 Post Mount Adapter Plate ..... 99.00

- Required to mount surface mount units to mounting posts

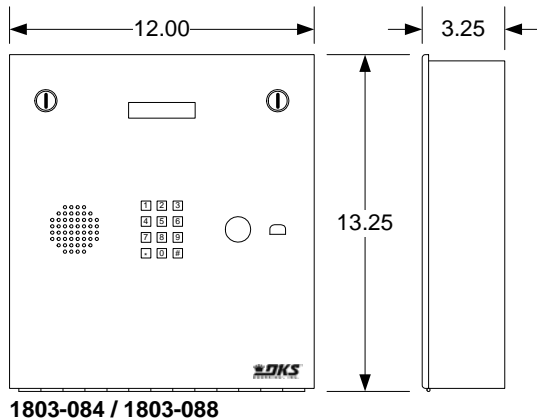
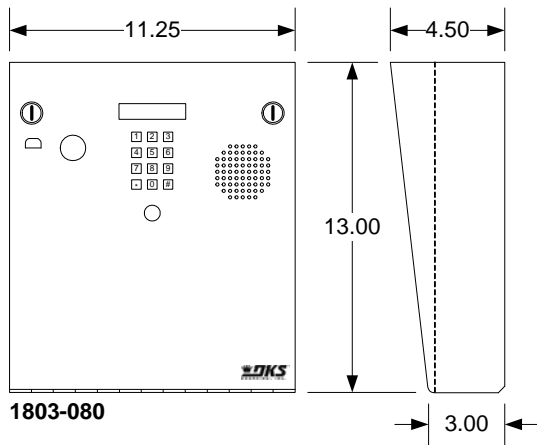
Mounting Posts ..... Pg 18-19

| Model 1802-EPD Specifications |                 |        |  |
|-------------------------------|-----------------|--------|--|
| Max Phone Numbers             | Max Entry Codes | Relays | Directory                                  |
| 100                           | 100             | 2      | Single-line<br>16 Character<br>5/16-in LCD |

## Model 1803

### Telephone Entry

The 1803 is an ideal telephone entry system that is suited for applications that do not require a directory, or in applications where a separate directory exist. Visitors are easily identified by voice communication and can be granted or denied access directly from a touch-tone telephone.



#### 1803 – 1000 Memory

- 1803-080 Surface Mount Stainless .....1340.00
- 1803-084 Flush Mount Stainless.....1340.00
- 1803-088 Flush Mount Gold Plated .....1990.00

- Includes 16 VAC power transformer

#### Mounting Options

- 1803-150 Surface Mount Recess Kit ..... 196.00
- 1814-165 Flush Mount Kit Stainless..... 330.00
- 1814-166 Flush Mount Kit Gold ..... 870.00
- Mounting Posts.....Pg 18-19

#### Accessories

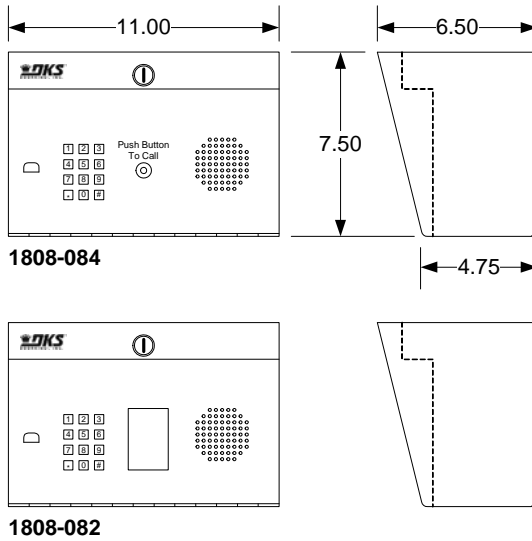
- 1701-080 20-Name Directory ..... 130.00
- 1702-080 60-Name Directory ..... 190.00
- 1710-080 Large Directory Surface Mount..... 400.00
- 1710-081 Large Directory Flush Mount ..... 400.00
- 1720-080 Fluorescent Light Kit ..... 368.00
- 1812-145 Color Camera Kit..... 850.00
- 2600-584 Heater Kit..... 124.00
- 1814-075 Secondary Keypad ..... 370.00
- Surface mount secondary keypad
- 1807-012 Handset Kit ..... 314.00
- Not available on flush mount unit

| Model 1803 Specifications |                 |        |           |
|---------------------------|-----------------|--------|-----------|
| Max Phone Numbers         | Max Entry Codes | Relays | Directory |
| 1000                      | 1000            | 2      | None      |

## Model 1808

### Telephone Entry

The 1808 is an ideal telephone entry system that is suited for applications that have limited space and can be used in residential as well as commercial applications. Visitors are easily identified by voice communication and can be granted or denied access directly from a touch-tone telephone.



#### 1808 – 1000 Memory

|  |         |
|--|---------|
| 1808-084 Surface Mount Stainless .....   | 1250.00 |
| 1808-082 Surface Mount w/Directory ..... | 1340.00 |

- Includes 16 VC power transformer

#### Accessories

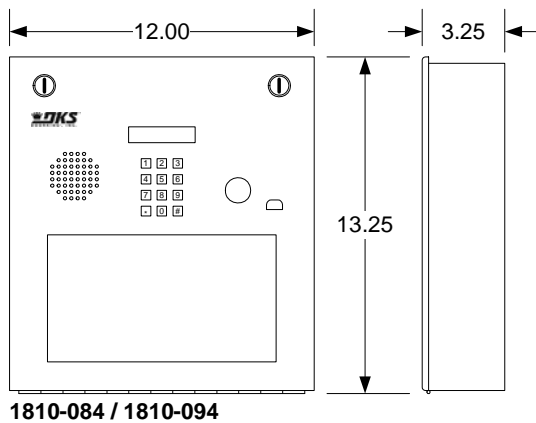
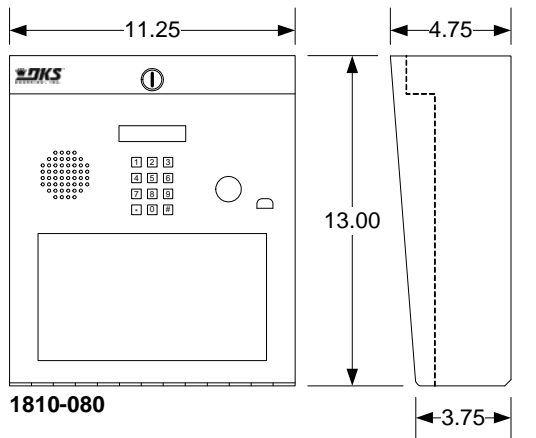
|  |          |
|--|----------|
| 1701-080 20-Name Directory.....              | 130.00   |
| 1702-080 60-Name Directory.....              | 190.00   |
| 1710-080 Large Directory Surface Mount ..... | 400.00   |
| 1710-081 Large Directory Flush Mount .....   | 400.00   |
| 1720-080 Fluorescent Light Kit .....         | 368.00   |
| 1812-145 Color Camera Kit .....              | 850.00   |
| 2600-588 Heater Kit.....                     | 114.00   |
| 1814-075 Secondary Keypad.....               | 370.00   |
| • Surface mount secondary keypad             |          |
| Mounting Posts.....                          | Pg 18-19 |

| Model 1808 Specifications |                 |        |                               |
|---------------------------|-----------------|--------|-------------------------------|
| Max Phone Numbers         | Max Entry Codes | Relays | Directory                     |
| 1000                      | 1000            | 2      | None or Small Paper Directory |

## Model 1810

### Telephone Entry

The 1810 is an ideal telephone entry system that is suited for a wide variety of applications. The built-in lighted directory makes it a complete all-in-one compact unit and it is easy for managers to update by using a word processing program. Visitors are easily identified by voice communication and can be granted or denied access directly from a touch-tone telephone.



#### 1810 – 1000 Memory

|  |         |
|--|---------|
| 1810-080 Surface Mount Stainless ..... | 1300.00 |
| 1810-084 Flush Mount Stainless .....   | 1300.00 |
| 1810-092 Flush Mount Gold Plated ..... | 1950.00 |

- Includes 16 VAC power transformer

#### Mounting Options

|  |          |
|--|----------|
| 1803-150 Surface Mount Recess Kit .....        | 196.00   |
| 1814-165 Flush Mount Kit Stainless .....       | 330.00   |
| 1814-166 Flush Mount Kit Gold .....            | 870.00   |
| 1810-102 Stainless Surface Mount Housing ..... | 330.00   |
| Mounting Posts .....                           | Pg 18-19 |

#### Accessories

|  |        |
|--|--------|
| 1701-080 20-Name Directory .....             | 130.00 |
| 1702-080 60-Name Directory .....             | 190.00 |
| 1710-080 Large Directory Surface Mount ..... | 400.00 |
| 1710-081 Large Directory Flush Mount .....   | 400.00 |
| 1720-080 Fluorescent Light Kit .....         | 368.00 |
| 1812-145 Color Camera Kit .....              | 850.00 |
| • Use with 1810-084, 1810-092                |        |
| 1812-147 Color Camera Kit .....              | 850.00 |
| • Use with 1810-080                          |        |
| 2600-584 Heater Kit .....                    | 124.00 |
| 1814-075 Secondary Keypad .....              | 370.00 |
| • Surface mount secondary keypad             |        |
| 1807-012 Handset Kit .....                   | 314.00 |
| • Handset not available on flush mount unit  |        |

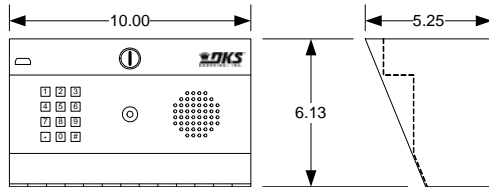
| Model 1810 Specifications |                 |        |           |
|---------------------------|-----------------|--------|-----------|
| Max Phone Numbers         | Max Entry Codes | Relays | Directory |
| 1000                      | 2               | 2      | Paper     |



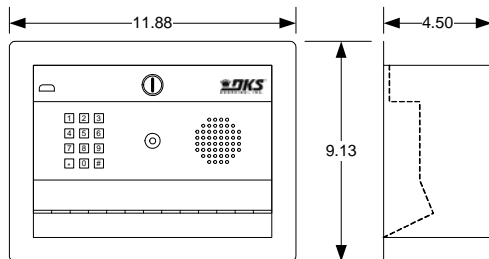
## Model 1812 Classic

### Telephone Intercom

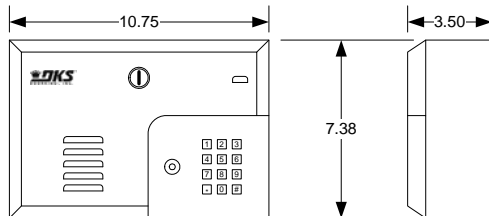
The 1812 Classic is a unique telephone intercom system that allows homeowners to use their telephone as an intercom to speak to a guest at a front door or gate. Visitors are easily identified by voice communication and can be granted or denied access directly from a touch-tone telephone.



**1812-081 / 1812-085**



**1812-087 / 1812-086**



**1812-088**

- 1812-081 Surface Mount Stainless .....1450.00
- 1812-085 Surface Mount Gold Plated Faceplate .....1670.00
- 1812-087 Flush Mount Stainless .....1640.00
- 1812-086 Flush Mount Gold Plated Faceplate .....1850.00
- 1812-088 Wall Mount .....1640.00

- Includes 24 VAC power transformer

#### Housing Options

- 1812-105 Stainless Steel Housing ..... 220.00
- For 1812-081 and 1812-085
- 1812-106 Gold Plated Housing ..... 380.00
- For 1812-081 and 1812-085

#### Accessories

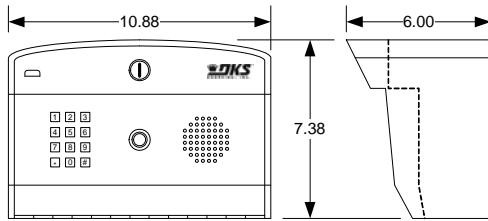
- Mounting Posts .....Pg 18-19
- 1812-082 Secondary Keypad ..... 370.00
- Surface mount secondary keypad
- 1812-197 Secondary Keypad ..... 402.00
- Flush mount secondary keypad
- 2600-588 Heater Kit ..... 114.00
- 1812-145 Color Camera Kit ..... 850.00
- Use with 1812-088
- 1812-147 CCTV Camera Kit ..... 850.00
- Use with 1812-081, 1812-085, 1812-087

| Model 1812 Specifications |                    |                 |        |
|---------------------------|--------------------|-----------------|--------|
| Phone Line Interface      | Forwarding Numbers | Max Entry Codes | Relays |
| 1                         | 3                  | 50              | 2      |

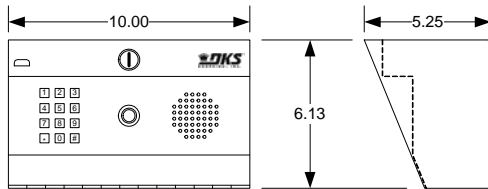
## Model 1812 Plus

### Telephone Intercom

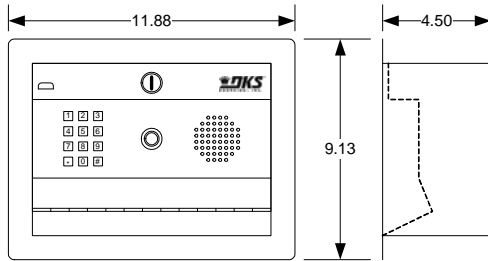
The 1812 Plus is a unique telephone intercom system that allows homeowners to use their telephone as an intercom to speak to a guest at a front door or gate. Visitors are easily identified by voice communication and can be granted or denied access directly from a touch-tone telephone. The 1812 Plus offers a crystal clear digital voice circuit and has many advanced features.



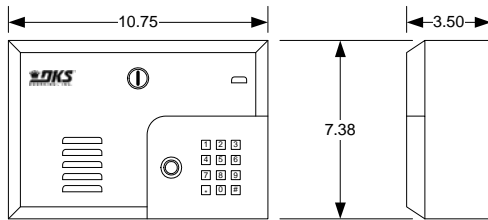
**1812-095**



**1812-089 / 1812-076**



**1812-091 / 1812-078**



**1812-093**

- 1812-095 Surface Mount Curved ..... 1650.00
- 1812-089 Surface Mount Stainless ..... 1450.00
- 1812-076 Surface Mount Gold Plated Faceplate..... 1670.00
- 1812-091 Flush Mount Stainless ..... 1640.00
- 1812-078 Flush Mount Gold Plated Faceplate ..... 1850.00
- 1812-093 Wall Mount ..... 1640.00
- Includes 16 VAC power transformer

#### Housing Options

- 1812-105 Stainless Steel Housing ..... 220.00
- For 1812-089 and 1812-076
- 1812-106 Gold Plated Housing..... 380.00
- For 1812-089 and 1812-076

#### Accessories

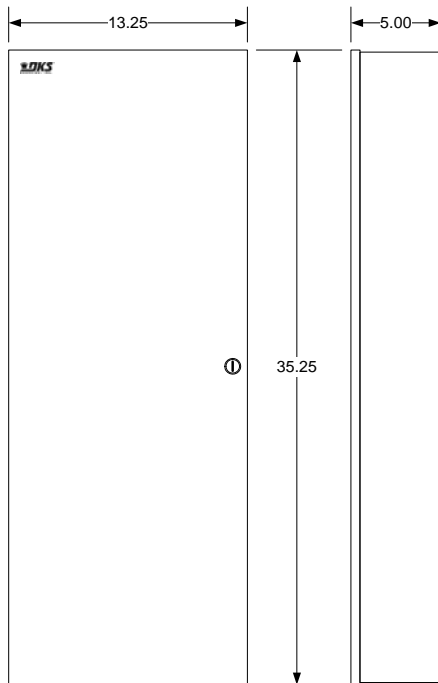
- Mounting Posts..... Pg 18-19
- 1812-082 Secondary Keypad..... 370.00
- Surface mount secondary keypad
- 1812-197 Secondary Keypad..... 402.00
- Flush mount secondary keypad
- 2600-588 Heater Kit..... 114.00
- 1812-145 Color Camera Kit ..... 850.00
- Use with 1812-093
- 1812-147 CCTV Camera Kit ..... 850.00
- Use with 1812-091, 1812-095
- 1812-073 Conversion Kit ..... 1273.50
- Upgrades an older 1812 with an 1871-010 circuit board to an 1812 Plus with the 1971-010 circuit board

| Model 1812 Specifications |                   |                 |        |
|---------------------------|-------------------|-----------------|--------|
| Phone Line Interface      | Auto-Dial Numbers | Max Entry Codes | Relays |
| 1                         | 27                | 50              | 2      |

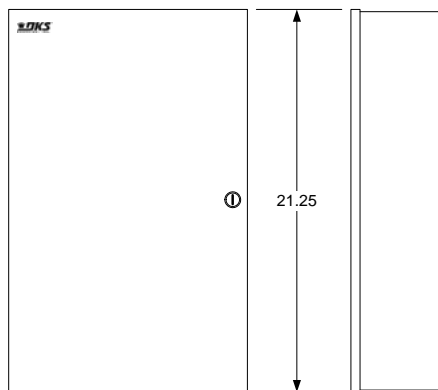
## Model 1816

### Telephone Intercom

The 1816 Telephone Intercom System is a unique communication and access control device that provides two-way voice communication and control of a main entry door through the resident's own telephone without the need of a central office (C.O.) phone line. This eliminates the need for costly hard-wired intercom systems, monthly line charges and equipment lease payments.



1816-080 / 1816-081



1816-082

#### Step 1: Choose a Main Control Cabinet

|  |         |
|--|---------|
| 1816-080 Houses 13 Relay Boards (156 Lines)..... | 1840.00 |
| 1816-082 Houses 5 Relay Boards (60 Lines).....   | 1620.00 |

- Main control cabinets do not include relay boards

#### Step 2: Relay Boards

##### 1982-010

|                      |        |
|----------------------|--------|
| 1 – 13 Boards .....  | 590.00 |
| 14 – 29 Boards ..... | 550.00 |
| 30 + Boards .....    | 510.00 |

- One (1) relay board required for every 12 phone lines to be interfaced

#### Step 3: Decoder Boards (if required)

|               |        |
|---------------|--------|
| 1881-010..... | 270.00 |
|---------------|--------|

- Decoder board(s) are required if system expands beyond five (5) relay boards
- One (1) decoder board is required for every eight (8) relay boards added to the system after the first five (5) relay boards.

#### Step 4: Auxiliary Cabinet (if required)

|               |        |
|---------------|--------|
| 1816-081..... | 540.00 |
|---------------|--------|

- Holds up to 16 relay boards and two (2) decoder boards

#### Step 5: Phone Blocks & Cables

|                                 |        |
|---------------------------------|--------|
| 1816-046 RJ71C Phone Block..... | 226.00 |
|---------------------------------|--------|

- One (1) RJ71C required for each relay board in the system

|  |        |
|--|--------|
| 1882-042 Connecting Cable (15-ft)..... | 120.00 |
|--|--------|

- One (1) connecting cable required for each relay board in the system

|  |           |
|--|-----------|
| 1882-044 Connecting Cable Special Length ..... | 1.50 / ft |
|--|-----------|

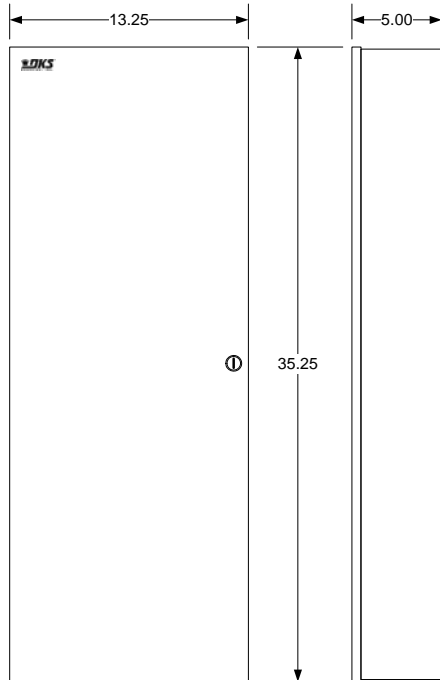
- Add cost per foot to 1882-042

#### Step 6: Choose a Lobby Panel..... Pg 12-13

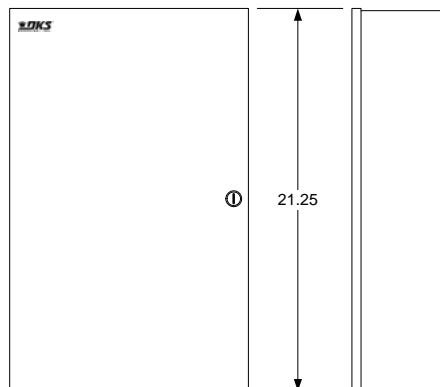
## Model 1820

### Telephone Intercom

The 1820 Telephone Intercom System is a unique communication and access control device that provides two-way voice communication and control of a main entry door through the resident's own telephone without the need of a central office (C.O.) phone line. The 1820 has an easy to use "call down" feature that allows a building resident to quickly contact the Doorman, Concierge (or any other station designated as the call down station) by pressing two buttons on their touch-tone phone.



1820-080 / 1820-081



1820-082 / 1820-083

#### Step 1: Choose a Main Control Cabinet

|  |         |
|--|---------|
| 1820-080 Houses 9 Interface Boards (108 Lines) ..... | 1840.00 |
| 1820-082 Houses 4 Interface Boards (48 Lines) .....  | 1620.00 |

- Main control cabinets do not include line interface boards

#### Step 2: Line Interface Boards

|                |         |
|----------------|---------|
| 1884-010 ..... | 1280.00 |
|----------------|---------|

- One (1) line interface board required for every 12 phone lines to be interfaced

#### Step 3: Power Supply Boards (if required)

|                |        |
|----------------|--------|
| 1886-010 ..... | 216.00 |
|----------------|--------|

- Only required if more than 21 line interface boards are used, then one (1) required for every 21 line interface boards in the system thereafter

|                                  |       |
|----------------------------------|-------|
| 1508-060 Power Transformer ..... | 41.50 |
|----------------------------------|-------|

- One (1) required for each 1886-010 power supply board

#### Step 4: Auxiliary Cabinet (if required)

|                              |        |
|------------------------------|--------|
| 1820-081 Large Cabinet ..... | 540.00 |
|------------------------------|--------|

- Holds up to 12 line interface boards and one (1) power supply board

|                              |        |
|------------------------------|--------|
| 1820-083 Small Cabinet ..... | 330.00 |
|------------------------------|--------|

- Holds up to eight (8) line interface boards or seven (7) line interface boards and one (1) power supply board

#### Step 5: Phone Blocks & Cables

|                                  |        |
|----------------------------------|--------|
| 1816-046 RJ71C Phone Block ..... | 226.00 |
|----------------------------------|--------|

- One (1) RJ71C required for each relay board in the system

|  |        |
|--|--------|
| 1820-047 RJ71C Phone Block Powered ..... | 260.00 |
|--|--------|

- Use in place of 1816-046 if resident(s) do not have central office phone service and call down feature is enabled

|   |        |
|---|--------|
| 1882-042 Connecting Cable (15-ft) ..... | 120.00 |
|---|--------|

- One (1) connecting cable required for each relay board in the system

|  |           |
|--|-----------|
| 1882-044 Connecting Cable Special Length ..... | 1.50 / ft |
|--|-----------|

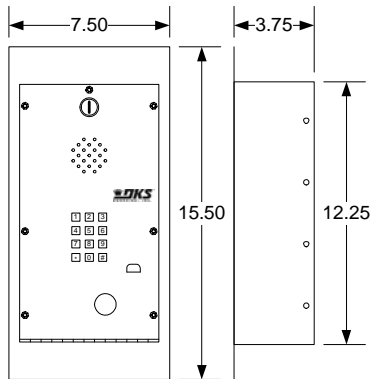
- Add cost per foot to 1882-042

#### Step 6: Choose a Lobby Panel ..... Pg 12-13

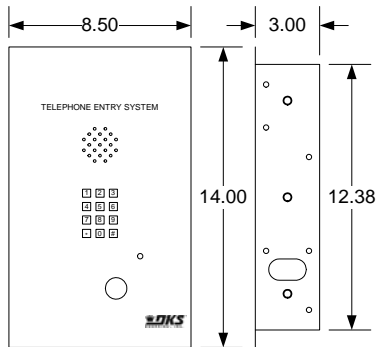
## Model 1816 / 1820

### 1802 / 1803 Lobby Panels

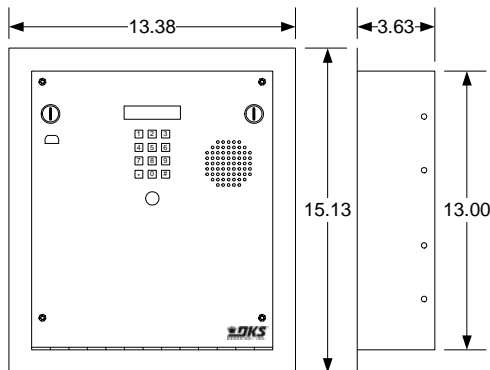
Lobby panels can only be used with the 1816 or 1820 telephone intercom systems; they cannot be connected directly to a central office phone line.



**1802-085 / 1802-086**  
Shown with 1802-150 Frame



**1802-087 / 1802-088**  
Shown with 1802-152 Box



**1803-097**  
Shown with 1803-150 Recess Kit

#### 1802 Vandal Resistant Lobby Panels

1802-085 Front Access with Postal Provision ..... 950.00

- Requires 1802-150 frame assembly

1802-086 Front Access no Postal Provision ..... 950.00

- Requires 1802-150 frame assembly

1802-087 Rear Access with Postal Provision ..... 1010.00

- Requires 1802-152 box assembly

1802-088 Rear Access no Postal Provision ..... 1010.00

- Requires 1802-152 box assembly

#### 1802 Lobby Panels

1802-083 Surface Mount ..... 760.00

1802-084 Surface Mount with Handset ..... 990.00

#### 1802 Lobby Panel Mounting Accessories

1802-150 Frame Assembly ..... 180.00

1802-152 Box Assembly ..... 60.00

#### 1803 Vandal Resistant Lobby Panel

1803-097 Front Access no Postal Provision ..... 1060.00

- Requires 1803-150 Recess Kit

#### 1803 Lobby Panels

1803-090 Surface Mount ..... 890.00

1803-091 Surface Mount with Handset ..... 1100.00

1803-092 Flush Mount ..... 890.00

1803-093 Flush Mount with Handset ..... 1100.00

1803-094 Flush Mount Gold Plated ..... 1540.00

#### 1803 Lobby Panel Mounting Accessories

1803-150 Surface Mount Recess Kit ..... 196.00

1814-165 Flush Mount Kit Stainless ..... 330.00

1814-166 Flush Mount Kit Gold ..... 870.00

#### Accessories

1701-080 20-Name Directory ..... 130.00

1702-080 60-Name Directory ..... 190.00

1710-080 Large Directory Surface Mount ..... 400.00

1710-081 Large Directory Flush Mount ..... 400.00

1720-080 Fluorescent Light Kit ..... 368.00

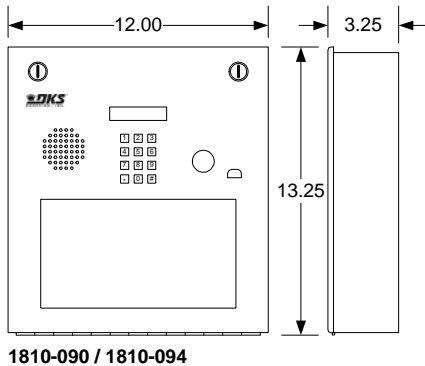
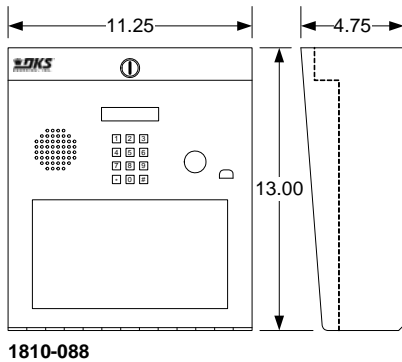
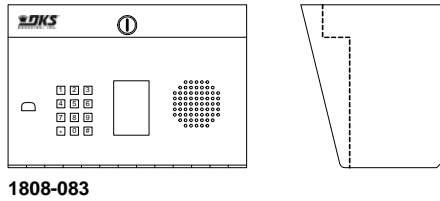
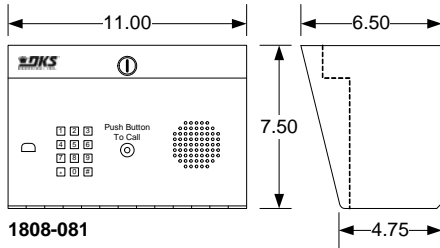
1812-145 Color Camera Kit ..... 850.00

- Use with 1803-090, 1803-092, 1803-097

## Model 1816 / 1820

### 1808 / 1810 Lobby Panels

Lobby panels can only be used with the 1816 or 1820 telephone intercom systems; they cannot be connected directly to a central office phone line.



#### 1808 Lobby Panels

|  |        |
|--|--------|
| 1808-081 Surface Mount .....             | 870.00 |
| 1808-083 Surface Mount w/Directory ..... | 950.00 |

- 1808 lobby panels do not have any postal lock provisions
- Small paper directory in 1808-083 model can show approximately 10 names, depending on font size and style used

#### 1810 Lobby Panels

|  |         |
|--|---------|
| 1810-088 Surface Mount .....           | 1010.00 |
| 1810-090 Flush Mount .....             | 1010.00 |
| 1810-094 Flush Mount Gold-Plated ..... | 1660.00 |

#### 1810 Lobby Panel Mounting Accessories

|  |        |
|--|--------|
| 1803-150 Surface Mount Recess Kit .....  | 196.00 |
| 1814-165 Flush Mount Kit Stainless ..... | 330.00 |
| 1814-166 Flush Mount Kit Gold .....      | 870.00 |

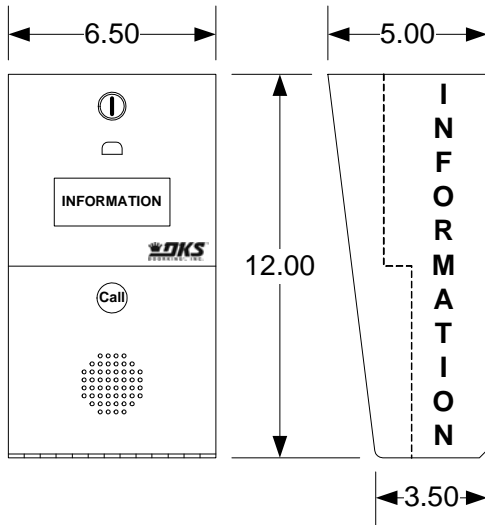
#### Accessories

|  |        |
|--|--------|
| 1701-080 20-Name Directory .....             | 130.00 |
| 1702-080 60-Name Directory .....             | 190.00 |
| 1710-080 Large Directory Surface Mount ..... | 400.00 |
| 1710-081 Large Directory Flush Mount .....   | 400.00 |
| 1720-080 Fluorescent Light Kit .....         | 368.00 |
| 1812-145 Color Camera Kit .....              | 850.00 |
| • Use with 1808-083, 1810-090, 1810-094      |        |
| 1812-147 Color Camera Kit .....              | 850.00 |
| • Use with 1810-088                          |        |

## Model 1819

### Information Phone

The 1819 is an information telephone that is suited for applications that require only a single phone number to be called. Visitors simply press the single CALL button to establish communication and are easily identified by voice communication. Access can be granted or denied directly from a touch-tone telephone.



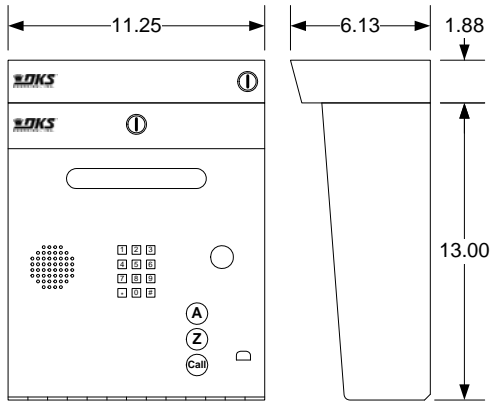
|   |          |
|---|----------|
| 1819-080.....   | 1180.00  |
| • Includes 16 VAC power transformer                       |          |
| 2600-588 Heater Kit.....                                  | 114.00   |
| 1802-111 Post Mount Adapter Plate .....                   | 99.00    |
| • Required to mount surface mount units to mounting posts |          |
| Mounting Posts.....                                       | Pg 18-19 |

| Model 1819 Specifications |                 |        |           |
|---------------------------|-----------------|--------|-----------|
| Max Phone Numbers         | Max Entry Codes | Relays | Directory |
| 1                         | N/A             | 1      | None      |

## Model 1720

### Fluorescent Light Kit

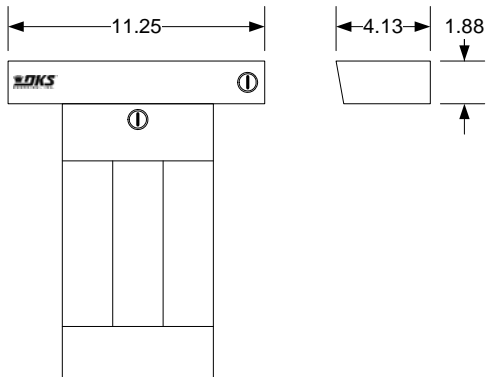
Fluorescent light kits are designed to offer improved lighting for DKS telephone entry systems and add-on directories. Fluorescent lighting provides exceptional visibility on the entry system face plate allowing easy use of the systems even at night.



**1720-080 shown mounted on surface mount telephone entry system**

1720-080 Long ..... 368.00

- Use with surface mount telephone entry units
- Includes power transformer



**1720-081 shown mounted on 1702 directory**

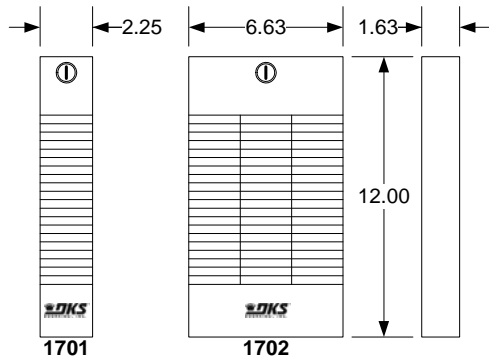
1720-081 Short ..... 360.00

- Use with add-on directories
- Includes power transformer

## Model 1701 / 1702 / 1710

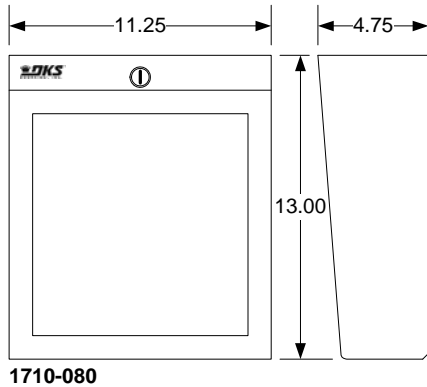
### Add-On Directories

These add-on directories can be used in both indoor and outdoor applications. Use the 1701 and 1702 for low capacity, non-lighted applications. The 1710 is ideal for higher capacity applications and is lighted.



#### 1701 / 1702 Directories

|                    |        |
|--------------------|--------|
| 1701-080.....      | 130.00 |
| • 20 name capacity |        |
| 1702-080.....      | 190.00 |
| • 60 name capacity |        |

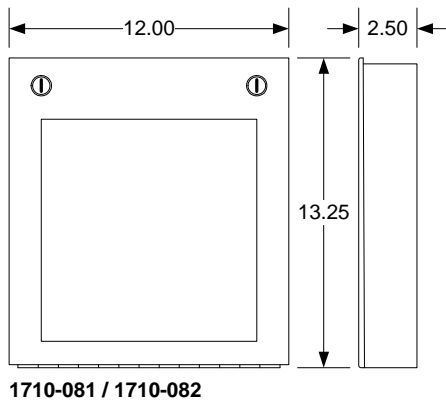


#### 1710 Directories

|   |         |
|---|---------|
| 1710-080 Surface Mount .....  | 400.00  |
| 1710-081 Flush Mount.....   | 400.00  |
| 1710-082 Flush Mount Gold Plated .....  | 1050.00 |
| • 1710 directories use standard size paper (8-1/2 x 11).<br>Number of names is dependant on font style, size and<br>spacing used. |         |

#### 1710 Directory Mounting Accessories

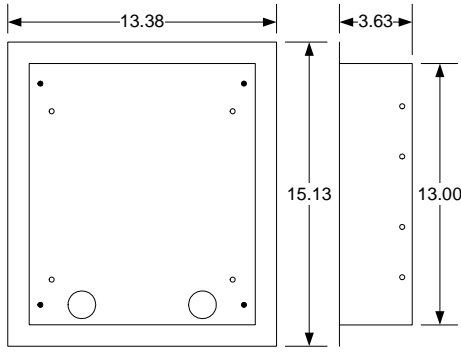
|   |        |
|---|--------|
| 1803-150 Surface Mount Recess Kit ..... | 196.00 |
| 1814-165 Flush Mount Kit Stainless..... | 330.00 |
| 1814-166 Flush Mount Kit Gold .....     | 870.00 |



## Accessories

### Mounting Kits

Mounting kits are used to simplify installation of surface and flush mount telephone entry systems and directories.

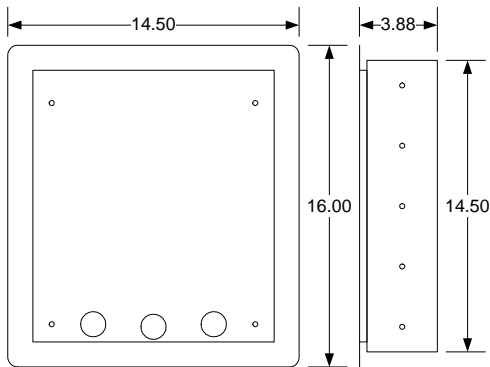


1803-150

#### Surface Mount Recess Kit

1803-150..... 196.00

- Use with surface mount 1803 and 1810 telephone entry systems and with 1710 directory



1814-165 / 1814-166

#### Flush Mount Kits

1814-165 Stainless Steel ..... 330.00

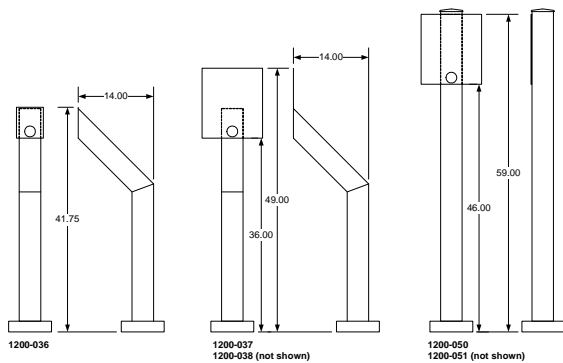
1814-166 Gold Plated ..... 870.00

- Use with flush mount 1803 and 1810 telephone entry systems and with 1710 directory

## Mounting Posts

### Architectural & Standard Mounting Posts

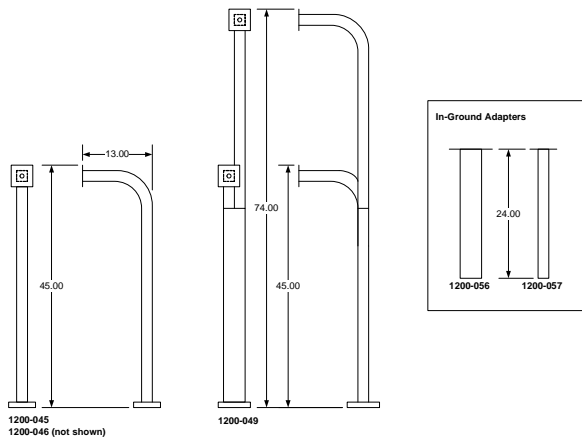
Architectural and standard mounting posts are designed for pad mounting or can be mounted using an in-ground adapter. All posts include a base plate and base plate cover. The architectural posts are available in an offset configuration for vehicular traffic, or can be ordered in a straight configuration for walk-up pedestrian applications. The standard posts are available in a gooseneck design only.



#### Architectural Posts

|   |        |
|---|--------|
| 1200-036 Offset Pad Mount Small .....   | 470.00 |
| 1200-037 Offset Pad Mount .....         | 476.00 |
| 1200-038 Offset In-Ground Mount .....   | 433.00 |
| 1200-050 Straight Pad Mount.....        | 412.00 |
| 1200-051 Straight In-Ground Mount ..... | 360.50 |
| 1200-056 In-Ground Adapter.....         | 290.00 |

- These posts are constructed from 4" x 4" steel stock and have a 8" x 8" base plate
- In-ground adapter provides a mount for posts with base plates
- In-ground mount posts do not have a base plate and extend an additional 24 inches in length



#### Standard Posts

|                                 |        |
|---------------------------------|--------|
| 1200-045 Pad Mount .....        | 214.00 |
| 1200-046 In-Ground Mount.....   | 214.00 |
| 1200-049 Dual Height .....      | 422.00 |
| 1200-057 In-Ground Adapter..... | 190.00 |

- These posts are constructed from 2" x 2" steel stock and have a 5" x 5" base plate
- In-ground adapter provides a mount for posts with base plates
- In-ground mount posts do not have a base plate and extend an additional 24 inches in length

#### Accessories

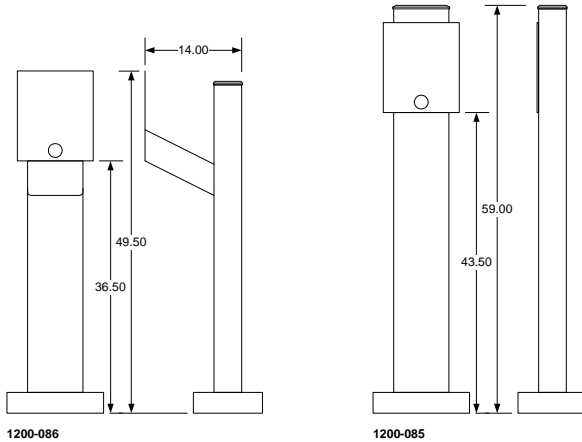
|                             |       |
|-----------------------------|-------|
| 1802-111 Adapter Plate..... | 99.00 |
|-----------------------------|-------|

- Use with 1200-036, 1200-045, 1200-046, 1200-049 mounting posts to mount 1802, 1802-EPD and 1819 telephone entry systems to these posts

## Mounting Posts

### Designer Style Mounting Posts

Designer style mounting posts are designed for pad mounting or can be mounted using the in-ground adapter. All posts include a base plate and base plate cover. These posts are available in an offset configuration for vehicular traffic, or can be ordered in a straight configuration for walk-up pedestrian applications. An electrical compartment can hold up to four (4) accessory transformers, three (3) surge suppressers and an RF radio receiver. Additionally, the optional light extension provides exceptional illumination.



#### Designer Posts

|                                   |         |
|-----------------------------------|---------|
| 1200-086 Offset Pad Mount .....   | 1500.00 |
| 1200-085 Straight Pad Mount ..... | 1430.00 |
| 1200-058 In-Ground Adapter .....  | 590.00  |
| 1200-053 Post Cap .....           | 110.00  |

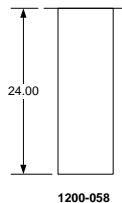
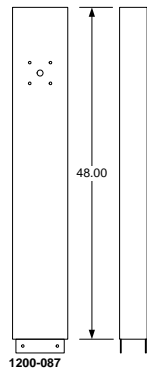
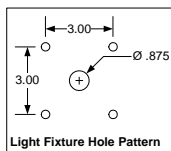
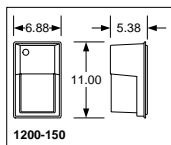
- These posts are constructed from 4" x 8" steel stock and have a 10" x 14" base plate
- In-ground adapter provides a mount for posts with base plates

|                            |        |
|----------------------------|--------|
| 1200-087 Light Tower ..... | 580.00 |
|----------------------------|--------|

- Does not include light assembly

|                               |        |
|-------------------------------|--------|
| 1200-150 Light Assembly ..... | 390.00 |
|-------------------------------|--------|

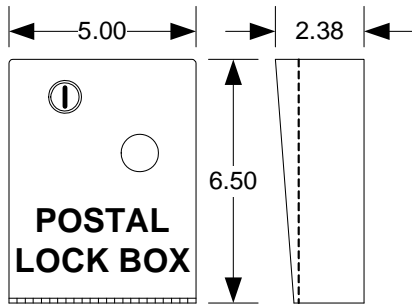
- 120 Volt Fluorescent light
- Photocell for automatic dusk-to-dawn operation
- Cast aluminum back



## Lock Boxes

### Postal and Fire Department

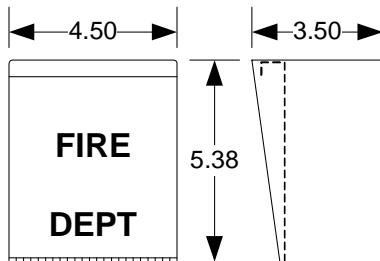
Postal and Fire Department lock boxes provide a method for these authorities to gain access through a controlled access point.



1402-080

1402-080..... 99.50

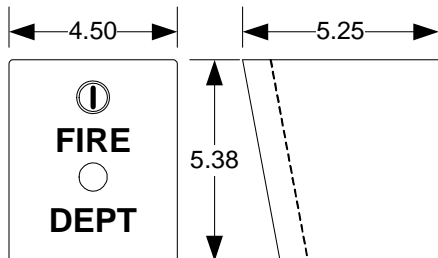
- Accepts standard postal key lock
- Postal lock can be installed to either open the 1402 box, or activate a door or gate
- Surface or post mount
- Painted postal blue



1400-080

1400-080..... 99.50

- Accepts Fire Department pad lock
- Cover opens and activates a switch when the pad lock is removed
- Gate or door will hold open until the cover is closed and the pad lock replaced
- Surface or post mount
- Painted bright red



1401-080

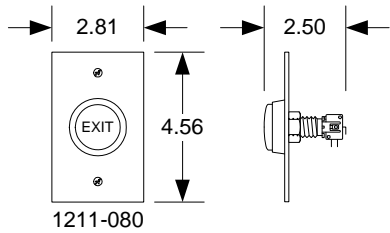
1401-080..... 99.50

- Accepts Knox 3501 key switch
- Surface or post mount
- Faceplate painted bright red, box is painted black

## Exit Push Buttons

### Standard & Piezoelectric Switches

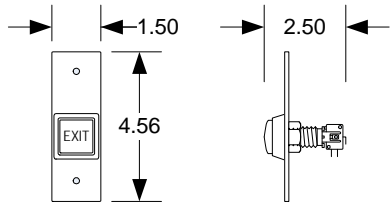
These push buttons are typically used as “request to exit” devices in access control applications. They can be installed in a single-gang electric box or can be mullion mounted.



1211-080

1211-080..... 52.00

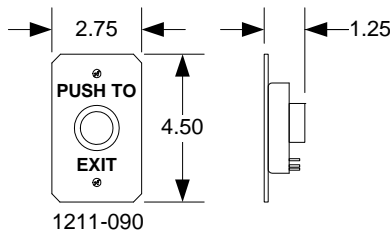
- Stainless steel faceplate
- Requires 12-volt AC or DC power to illuminate exit button
- Mounts into a single-gang electric box



1211-081

1211-081..... 48.00

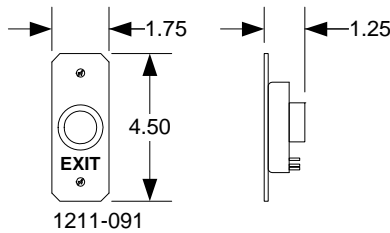
- Stainless steel faceplate
- Requires 12-volt AC or DC power to illuminate exit button
- Mullion mount



1211-090

1211-090..... 298.00

- Vandal resistant stainless steel faceplate and button cap
- Piezoelectric switch
- Selectable illumination status (red, green)
- Requires 12 to 24 Volt DC power
- Mounts into a single-gang electric box



1211-091

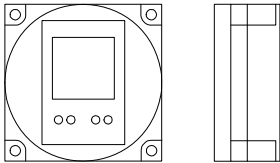
1211-091..... 298.00

- Vandal resistant stainless steel faceplate and button cap
- Piezoelectric switch
- Selectable illumination status (red, green)
- Requires 12 to 24 Volt DC power
- Mullion mount

## Accessories

### Time Clock & Surge Suppressers

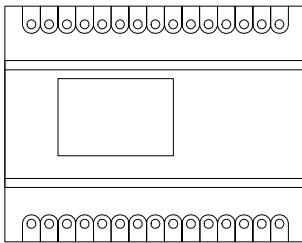
Electronic time clocks are ideal for use in applications where an access control system does not control "hold open" time periods. Surge suppressers are designed to provide additional protection to equipment in areas prone to voltage spikes and surges. Surge suppressers come with a plastic mounting bracket.



**2600-791**

2600-791..... 205.50

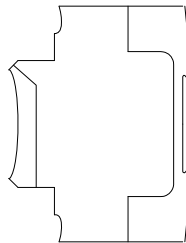
- 7 Day Time Clock
- 20 programs
- 24 Volt AC input power
- Form "C" dry contact relay



**2600-795**

2600-795..... 640.00

- 365 Day Time Clock
- 7-Day and 24 hour programming features
- Holiday programming
- Automatic leap-year adjustment through 2095
- Daylight savings time
- 24 Volt AC input power



1876-010..... 124.00

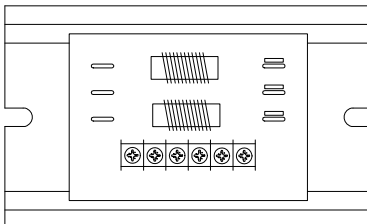
- High Voltage (110-120 VAC)

1877-010..... 124.00

- Phone Line

1878-010..... 124.00

- Low Voltage (24-20 VAC)

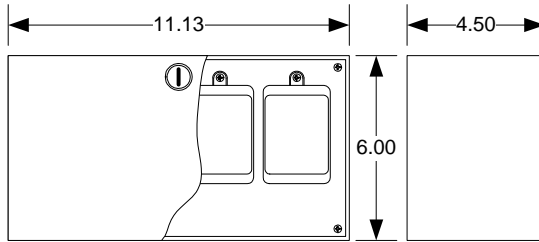


**1876-010 / 1877-010 / 1878-010**

## Accessory Transformers

### 12, 16, 24 Volt AC & DC Transformers

A variety of accessory transformers are available to power the different products that we sell. AC transformers are typically used with access control devices and controllers, while DC transformers are used with magnetic locks and proximity card readers. Check the individual product to determine which transformer is required. NOTE: Many of our products INCLUDE a transformer.

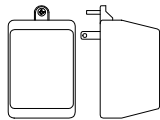


**1200-080**

#### Transformer Box

1200-080..... 130.00

- Holds up to four (4) 20-VA transformers
- Suitable for indoor and outdoor use
- Does not include transformers

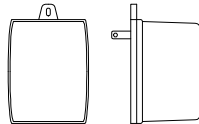


#### 20 VA Transformers

1215-061 12-Volt AC Output  
 1804-059 24-Volt AC Output  
 1804-060 16-Volt AC Output

#### 20-VA Transformers

1215-061 12-Volt, AC..... 37.50  
 1804-059 24-Volt, AC..... 43.50  
 1804-060 16-Volt, AC..... 43.50

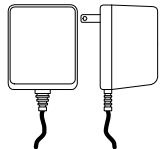


#### 50 VA Transformer

1508-060 16-Volt AC Output

#### 50-VA Transformer

1508-060 16-Volt, AC..... 48.00

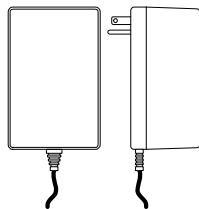


#### DC Transformers

1215-060 24-Volt 350 mA  
 1812-035 24-Volt 500 mA  
 1812-037 12-Volt 1000 mA

#### DC Transformers

1215-060 24-Volt, 350 ma ..... 43.50  
 1812-035 24-Volt, 500 ma ..... 32.50  
 1812-037 12-Volt, 1000 ma ..... 39.00



#### Regulated DC Transformer

1812-038 12-Volt 1000 mA

#### DC Regulated Transformer

1812-038 12-Volt, 1000 ma ..... 97.50

## Accessories

### Handset Kits, CCTV Camera Kits

|  |        |
|--|--------|
| <b>Handset Conversion Kit</b>              |        |
| 1807-012 .....                             | 314.00 |
| Handset, adapter, hanger and speaker cover |        |
| <b>Replacement Handset</b>                 |        |
| 1807-006 .....                             | 272.00 |

|                                |       |
|--------------------------------|-------|
| <b>Isolation Transformers</b>  |       |
| 1830-140 .....                 | 64.00 |
| Use with 1803, 1810, 1812 Plus |       |
| 1830-141 .....                 | 64.00 |
| Use with 1812 Classic          |       |

|   |        |
|---|--------|
| <b>Miscellaneous</b>                        |        |
| 1801-008 Backup Battery 12-Volt .8 AH ..... | 76.00  |
| 1804-193 External Speaker .....             | 168.00 |
| Use in high noise areas                     |        |
| 1814-075 Secondary Keypad .....             | 370.00 |
| Use with 1803, 1810                         |        |
| 2600-584 Heater Kit .....                   | 124.00 |
| 2600-588 Heater Kit .....                   | 114.00 |
| 2600-582 LCD Heater Kit .....               | 44.00  |
| 1816-070 Line Sense Relay .....             | 44.00  |
| 2600-655 Replacement Key HL 302 .....       | 4.60   |
| 2600-657 Replacement Key 16120 .....        | 4.60   |

|   |        |
|---|--------|
| <b>CCTV Camera Kit – High Resolution</b>  |        |
| 1812-145 .....  | 850.00 |
| High resolution color camera kit (camera, mounting bracket, wire harness, power supply) |        |
| Use this camera with the following models:  |        |
| 1803-080, 1803-083, 1803-084, 1803-088, 1803-090, 1803-092, 1803-097                    |        |
| 1808-082, 1808-083, 1808-084  |        |
| 1810-084, 1810-090, 1810-092, 1810-094  |        |
| 1812-088, 1812-093, 1812-094  |        |
| 1833-080, 1833-081, 1833-084, 1833-085  |        |
| 1834-084, 1834-085, 1834-089  |        |
| 1835-084, 1835-085, 1835-089  |        |
| 1837-080, 1837-081, 1837-084, 1837-085, 1837-089  |        |
| 1838-120, 1838-021  |        |

|  |        |
|--|--------|
| <b>CCTV Camera Kit – High Resolution</b>   |        |
| 1812-147 .....   | 850.00 |
| High resolution camera kit (camera, mounting bracket, wire harness, power supply)                            |        |
| Use this camera with the following models:   |        |
| 1504-080, 1504-081, 1504-082, 1504-083, 1504-084, 1504-085, 1504-086, 1504-090, 1504-091, 1504-120, 1504-121 |        |
| 1810-080, 1810-088   |        |
| 1812-081, 1812-085, 1812-086, 1812-087, 1812-090, 1812-091, 1812-092, 1812-095, 1812-096                     |        |
| 1834-080, 1834-081   |        |
| 1835-080, 1835-081   |        |

|  |        |
|--|--------|
| <b>CCTV Camera Kit – Low Resolution</b>  |        |
| 1812-140 .....   | 620.00 |
| Low resolution camera kit (camera, mounting bracket, wire harness, power supply) |        |
| Use this camera with the following models:                                       |        |
| 1802-082, 1802-083, 1802-089, 1802-090, 1802-091                                 |        |

|   |        |
|---|--------|
| <b>Video Adapter</b>  |        |
| 1812-039 .....  | 420.00 |
| Converts coax to twisted pair for wire runs of up to 3000-ft (B/W) or 1600-ft (color), two required |        |

## Replacement Components

### Electronic Components

| <b>Circuit Boards</b>                        |         |
|--|---------|
| 1862-010.....                                | 840.00  |
| Use with 1802, 1802-EPD, 1803, 1810, 1819    |         |
| 1863-010.....                                | 600.00  |
| Use with all "P" series lobby panels         |         |
| 1871-010.....                                | 1225.00 |
| Use with 1812 Classic only                   |         |
| 1971-010.....                                | 1225.00 |
| Use with 1812 Plus only                      |         |
| 1890-010.....                                | 220.00  |
| LCD Programming display for 1802, 1803, 1810 |         |

| <b>LED Light Kits</b>       |       |
|-----------------------------|-------|
| 1804-700.....               | 52.00 |
| Use with 1810 surface mount |       |
| 1804-701.....               | 20.00 |
| Use with 1802 surface mount |       |
| 1804-702.....               | 36.00 |
| Use with 1808               |       |
| 1804-703.....               | 36.00 |
| Use with 1710 directory     |       |
| 1804-704.....               | 20.00 |
| Use with 1812               |       |
| 1804-707.....               | 36.00 |
| Use with 1810 flush mount   |       |

| <b>Keypads</b>                       |        |
|--------------------------------------|--------|
| 1895-016.....                        | 110.00 |
| Keypad with letters                  |        |
| 1895-017.....                        | 110.00 |
| Keypad no letters                    |        |
| 1895-019.....                        | 106.00 |
| Keypad 10-pin use with 1815-075      |        |
| 1804-038.....                        | 20.00  |
| Ribbon cable for 1895-016 & 1895-017 |        |
| 1804-155.....                        | 130.00 |
| Keypad (no letters) & ribbon cable   |        |
| 1804-156.....                        | 130.00 |
| Keypad (with letters) & ribbon cable |        |
| 1804-013.....                        | 160.00 |
| Keypad & ribbon cable Gold Plated    |        |

| <b>Miscellaneous</b>                        |        |
|---|--------|
| 1998-020.....                               | 84.00  |
| Replacement microphone kit                  |        |
| 1998-010.....                               | 84.00  |
| Replacement microphone board                |        |
| 1997-190.....                               | 6.80   |
| Microphone wire harness for 1998-010 only   |        |
| 1598-010.....                               | 54.00  |
| Secondary keypad (1814-075) interface board |        |
| 1899-010.....                               | 150.00 |
| Fluorescent light ballast assembly          |        |
| 1804-034.....                               | 32.00  |
| Fluorescent bulb                            |        |
| 1804-290.....                               | 24.00  |
| 5-watt speaker (square)                     |        |
| 1817-190.....                               | 34.00  |
| Oval speaker                                |        |

