

Table of Contents

Swing Gate Operators

Model 6002 / 6003	4
Model 6004 / 6400	5
Model 6050 / 6100	6
Model 6300	7
Model 6500	8
Model 6550	9
Swing Gate Accessories	10
Swing Gate Operator Parts & Accessories	11

Slide Gate Operators

Model 9050 / 9100	12
Model 9150	13
Model 9000	14
Model 9310	15
Slide Gate V-Wheels	16
Slide Gate Guide Rollers & Accessories	17
Slide Gate Operator Parts & Accessories	18

Entrapment & Vehicular Reversing Devices

Entrapment Protection Devices Type B1 and B2	20
Loop Detectors and Loops	21

Gate Operator Accessories

Gate Operator Control Stations	22
Postal and Fire Department Lock Boxes	23
Time Clocks, Surge Suppressers, Traffic Signal	24
Accessory Transformers	25

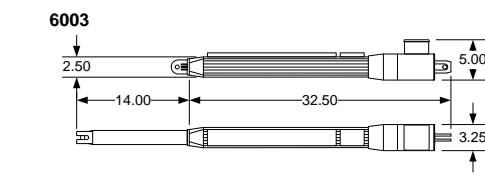
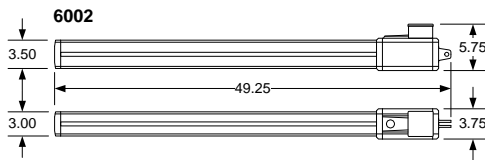
Back-up Power Inverters

Model 1000 / 2000	26
-------------------------	----

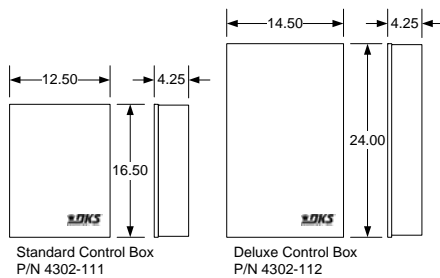
Models 6002 / 6003

24 Volt DC Swing Gate Actuators

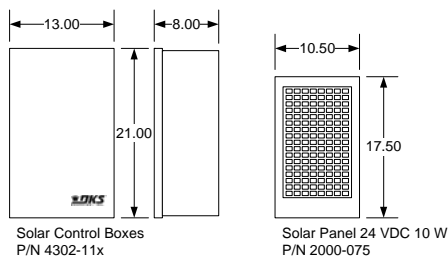
Swing gate actuators are designed to operate vehicular swing gates in residential applications where side room is minimal. These actuators install directly on the swing gate, eliminating the need for any mounting posts or concrete mounting pads. The actuators operate on 24 Volt DC power. Control boxes can be powered by 120 VAC or 24 VDC with Solar power input.



120 VAC Control Boxes



24 VDC Solar Control Boxes



Step 1: Choose an Actuator

6002-080 (24 VDC).....	1190.00
6003-080 (24 VDC).....	800.00

Step 2: Choose a Control Box

4302-111 Standard Control Box (120 VAC)	590.00
4302-112 Deluxe Control Box (120 VAC)	730.00

- 120 VAC control boxes include two (2) 3.5 Ah batteries
- Deluxe control box includes three 120 VAC convenience outlets

4302-113 Basic Solar Control Box (24 VDC)	730.00
4302-114 Single Gate Solar Control Box (24 VDC)	1090.00
4302-115 Dual Gate Solar Control Box (24 VDC).....	1190.00

- Basic control box does not include batteries.
- Single control box includes two (2) 18 Ah batteries. Use with single leaf gate.
- Dual control box includes two (2) 35 Ah batteries. Use with bi-parting gates or can be used with single gate.

2000-075 24 Volt, 10 Watt Solar Panel.....	300.00
--	--------

- One required for single control box; two required for dual control box.

Accessories

Entrapment prevention devices (required).....	Pg 20
Loops and loop detectors	Pg 21
2600-755 30-ft. Bi-parting gate connection cable.....	120.00
2600-756 40-ft. Bi-parting gate connection cable.....	160.00
2600-757 50-ft. Bi-parting gate connection cable.....	200.00
Swing gate accessories	Pg 10-11
Gate operator accessories	Pg 22-24

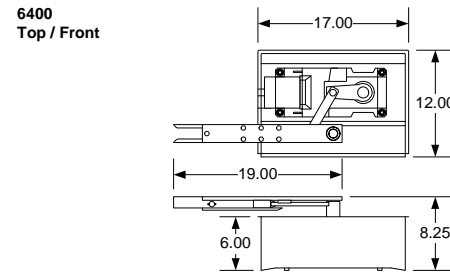
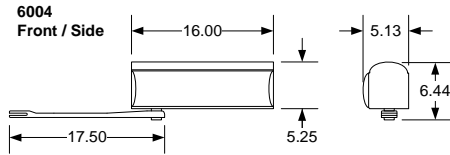
Model	Max Gate Weight (lbs.)	Max Gate Width (ft.)	Max Cycles (day)	Approximate Cycles on Backup Power**		
				3.5 Ah	18 Ah	35 Ah
6002	500	14	100	650	1200	
6003	300	10	100	650	1200	

** Cycles shown are for single operators when solar panel(s) are not providing a charge to the batteries. Actual number of cycles will vary depending on usage, accessories connected, gate weight, temperature and charge state of the batteries.

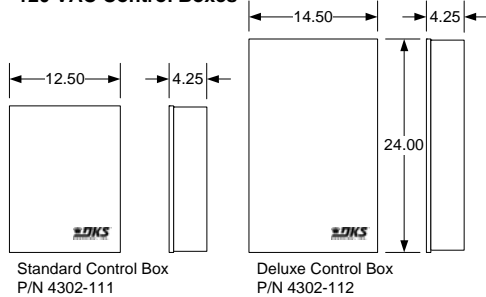
Models 6004 / 6400

24 Volt DC Swing Gate Operators

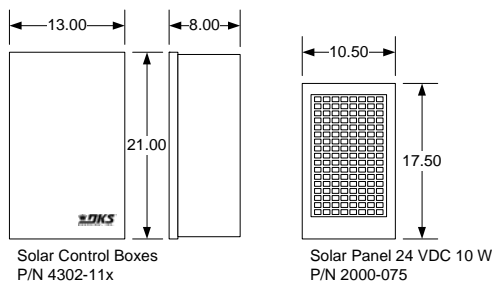
Designed for residential gates up to 8-feet in length, the DKS Model 6004 mounts directly on a column making it ideal for gates that are attached to large columns. The DKS 6400 installs in-ground making it virtually invisible. These operators operate on 24 Volt DC power. Control boxes can be powered by 120 VAC or 24 VDC with Solar power input.



120 VAC Control Boxes



24 VDC Solar Control Boxes



Step 1: Choose an Operator

- 6004-080 (24 VDC) 1275.00
- Please check with our Sales Department for availability
- 6400-080 (24 VDC) 2234.00

Step 2: Choose a Control Box

- 4302-111 Standard Control Box (120 VAC) 590.00
- 4302-112 Deluxe Control Box (120 VAC)..... 730.00
- 120 VAC control boxes include two (2) 3.5 Ah batteries
- Deluxe control box includes three 120 VAC convenience outlets
- 4302-113 Basic Solar Control Box (24 VDC) 730.00
- 4302-114 Single Gate Solar Control Box (24 VDC)..... 1090.00
- 4302-115 Dual Gate Solar Control Box (24 VDC)..... 1190.00
- Basic control box does not include batteries.
- Single control box includes two (2) 18 Ah batteries. Use with single leaf gates.
- Dual control box includes two (2) 35 Ah batteries. Use with bi-parting gates or can be used with single gates.
- 2000-075 24 Volt, 10 Watt Solar Panel 300.00
- One required for single control box; two required for dual control box.

Accessories

- Entrapment prevention devices (required).....Pg 20
- Loops and loop detectors.....Pg 21
- 2600-755 30-ft. Bi-parting gate connection cable..... 120.00
- 2600-756 40-ft. Bi-parting gate connection cable..... 160.00
- 2600-757 50-ft. Bi-parting gate connection cable..... 200.00
- Swing gate accessories..... Pg 10-11
- Gate operator accessories Pg 22-24

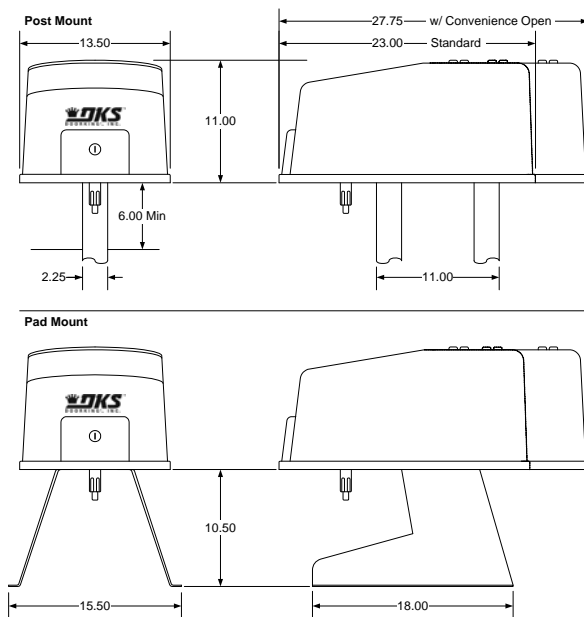
Model	Max Gate Weight (lbs.)	Max Gate Width (ft.)	Max Cycles (day)	Approximate Cycles on Backup Power**		
				3.5 Ah	18 Ah	35 Ah
6004	300	8	100	100	650	1200
6400	300	8	100	100	650	1200

** Cycles shown are for single operators when solar panel(s) are not providing a charge to the batteries. Actual number of cycles will vary depending on usage, accessories connected, gate weight, temperature and charge state of the batteries.

Models 6050 / 6100

Automatic Limit Swing Gate Operators

These operators can be installed on mounting posts or directly onto a concrete mounting-pad. When ordering, choose both an operator AND an operator mounting kit. Secondary operators are used in bi-parting (dual) gate applications and are commanded from and powered from the primary operator. Secondary operators cannot be used as a stand-alone device.



Step 1: Choose an Operator or Operator Set

- 6050-080 1/2 HP, 115V (4.3A) Primary2120.00
- 6050-081 1/2 HP, 115V (4.3A) Secondary1570.00
- Secondary includes 30-ft interconnection cable

- 6100-080 1/2 HP, 115V (5.4A) Primary2330.00
- 6100-081 1/2 HP, 115V (5.4A) Secondary1780.00
- 6100-082 1/2 HP, 115V (5.4A) Primary w/C.O.3170.00
- 6100-083 1/2 HP, 115V (5.4A) Secondary w/C.O.2600.00
- Secondary includes 40-ft interconnection cable
- C.O. = Convenience Open (gate opens upon AC power loss)

Step 2: Choose an Arm / Mounting Kit(s)

- 2600-671 Pad Mount, Arms and Hardware Kit 460.00
- 2600-674 Post Mount, Arms and Hardware Kit 380.00

Accessories

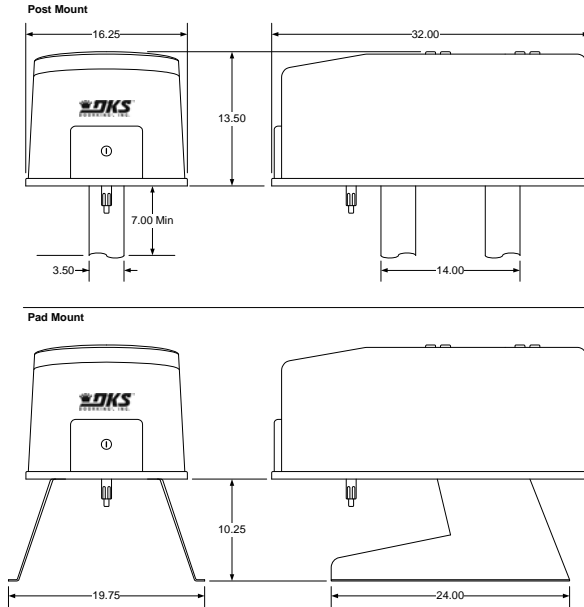
- Entrapment prevention devices (required).....Pg 20
- Loops and loop detectorsPg 21
- Backup power invertersPg 26
- 1601-154 Heater Kit..... 400.00
- Use if temperature routinely falls below 10°F (-12°C)
- 6500-490 Uphill Arm Pivot Assembly..... 200.00
- Use with 1203-084 Torsion Rod Assembly (Pg 9)
- Swing gate accessoriesPg 10-11
- Gate operator accessoriesPg 22-24

Model 6050 / 6100 Maximum Capacities			
Model	Max Gate Weight (Lbs)	Max Gate Width (Ft)	Max Cycles (Per Day)
6050	400	10	100
6100	500	14	Cont
6100 w/C.O.	400	14	Cont

Model 6300

Automatic Limit Swing Gate Operators

Designed to operate large vehicular swing gates in residential, commercial and industrial applications. These operators can be installed on mounting posts or directly onto a concrete mounting-pad – select mounting kit when ordering. Secondary operators are used in bi-parting (dual) gate applications and cannot be used as a stand-alone device.



Step 1: Choose an Operator or Operator Set

6300-080 1/2 HP, 115V (5.4A) Primary	2600.00
6300-096 1/2 HP, 208V (2.8 A) Primary	3120.00
6300-088 1/2 HP, 230V (2.7A) Primary	3120.00
6300-092 1/2 HP, 460V (1.4A) Primary	3120.00
6300-081 1/2 HP, Secondary.....	2100.00
6300-082 1/2 HP, 115V (5.4A) Primary w/C.O.	3500.00
6300-097 1/2 HP, 208V (2.8A) Primary w/C.O.	3960.00
6300-089 1/2 HP, 230V (2.7A) Primary w/C.O.	3960.00
6300-093 1/2 HP, 460V (1.4A) Primary w/C.O.	3960.00
6300-083 1/2 HP, Secondary w/C.O.....	2940.00
6300-084 1 HP, 115V (9.7A) Primary.....	3130.00
6300-098 1 HP, 208V (5.0A) Primary.....	3590.00
6300-090 1 HP, 230V (4.9A) Primary.....	3590.00
6300-094 1 HP, 460V (2.5A) Primary.....	3590.00
6300-085 1 HP, Secondary	2580.00
6300-086 1 HP, 115V (9.7A) Primary w/C.O.....	3970.00
6300-099 1 HP, 208V (5.0A) Primary w/C.O.....	4430.00
6300-091 1 HP, 230V (4.9A) Primary w/C.O.....	4430.00
6300-095 1 HP, 460V (2.5A) Primary w/C.O.....	4430.00
6300-087 1 HP, Secondary w/C.O.	3420.00

- All secondary operators are 115V, 9.7A
- Secondary includes 50-ft interconnection cable
- C.O. = Convenience Open (gate opens upon AC power loss)
- 230 / 460 Volt operators use a step-down transformer to achieve 115 Volt operating voltage

Step 2: Choose a Mounting Kit(s)

2600-264 Pad Mount, Arms and Hardware Kit	590.00
2600-263 Post Mount, Arms and Hardware Kit	590.00

Accessories

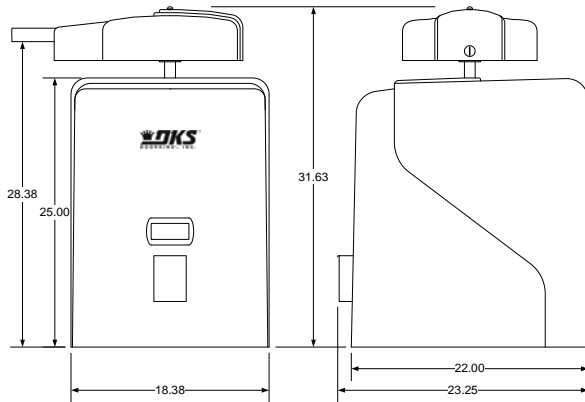
Entrapment prevention devices (required).....	Pg 20
Loops and loop detectors.....	Pg 21
Backup power inverters	Pg 26
1601-154 Heater Kit.....	400.00
6500-490 Uphill Arm Pivot Assembly.....	200.00
Swing gate accessories.....	Pg 10-11
Gate operator accessories	Pg 22-24

Model 6300 Maximum Capacities			
Model	Max Gate Weight (Lbs)	Max Gate Width (Ft)	Max Cycles (Per Day)
1/2 HP	700	18	Cont
1/2 HP w/C.O.	600	18	Cont
1 HP	800	22	Cont
1 HP w/C.O.	700	22	Cont

Model 6500

Adjustable Limit Swing Gate Operators

Designed to operate large vehicular swing gates in residential, commercial and industrial applications. Secondary operators are used in bi-parting (dual) gate applications cannot be used as a stand-alone device.



Operators

6500-080 1/2 HP, 115V (5.4A) Primary	3060.00
6500-088 1/2 HP, 208V (2.8A) Primary	3520.00
6500-092 1/2 HP, 230V (2.7A) Primary	3520.00
6500-096 1/2 HP, 460V (1.4A) Primary	3520.00
6500-081 1/2 HP, Secondary	2500.00

6500-082 1/2 HP, 115V (5.4A) Primary w/C.O.	3900.00
6500-089 1/2 HP, 208V (2.8A) Primary w/C.O.	4360.00
6500-093 1/2 HP, 230V (2.7A) Primary w/C.O.	4360.00
6500-097 1/2 HP, 460V (1.4A) Primary w/C.O.	4360.00
6500-083 1/2 HP, Secondary w/C.O.	3340.00

6500-084 1 HP, 115V (9.7A) Primary	3530.00
6500-090 1 HP, 208V 5.0A) Primary	3990.00
6500-094 1 HP, 230V (4.9A) Primary	3990.00
6500-098 1 HP, 460V (2.5A) Primary	3990.00
6500-085 1 HP, Secondary	3060.00

6500-086 1 HP, 115V (9.7A) Primary w/C.O.	4370.00
6500-091 1 HP, 208V (5.0A) Primary w/C.O.	4830.00
6500-095 1 HP, 230V (4.9A) Primary w/C.O.	4830.00
6500-099 1 HP, 460V (2.5A) Primary w/C.O.	4830.00
6500-087 1 HP, Secondary w/C.O.	3900.00

- All secondary operators are 115V, 9.7A
- Secondary includes 50-ft interconnection cable
- C.O. = Convenience Open (gate opens upon AC power loss)
- 208 / 230 / 460 Volt operators use a step-down transformer to achieve 115 Volt operating voltage

Model 6500 Maximum Capacities			
Model	Max Gate Weight (Lbs)	Max Gate Width (Ft)	Max Cycles (Per Day)
1/2 HP	700	18	Cont
1/2 HP w/C.O.	600	18	Cont
1 HP	800	22	Cont
1 HP w/C.O.	700	22	Cont

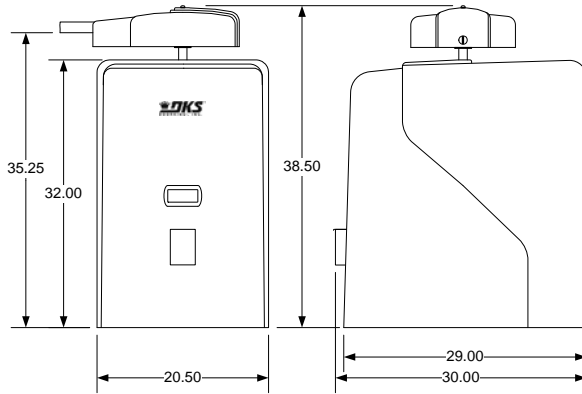
Accessories

Entrapment prevention devices (required).....	Pg 20
Loops and loop detectors	Pg 21
Backup power inverters	Pg 26
6500-480 Heater Kit.....	460.00
• Use if temperature routinely falls below 10°F (-12°C)	
6500-490 Uphill Arm Pivot Assembly.....	200.00
• Use with 1203-084 Torsion Rod Assembly (Pg 9)	
Swing gate accessories	Pg 10-11
Gate operator accessories	Pg 22-24

Model 6550

Adjustable Limit Swing Gate Operators

Designed to operate very large vehicular swing gates in commercial and industrial applications. Secondary operators are used in bi-parting (dual) gate applications cannot be used as a stand-alone device.



Operators

6550-080 1 HP, 115V (9.7A) Primary.....	4200.00
6550-081 1 HP, 208V (5.0A) Primary.....	4660.00
6550-082 1 HP, 230V (4.9A) Primary.....	4660.00
6550-083 1 HP, 460V (2.5A) Primary.....	4660.00
6550-084 1 HP, Secondary	3670.00

- All secondary operators are 115V, 9.7A
- Secondary includes 50-ft interconnection cable
- 208 / 230 / 460 Volt operators use a step-down transformer to achieve 115 Volt operating voltage

Accessories

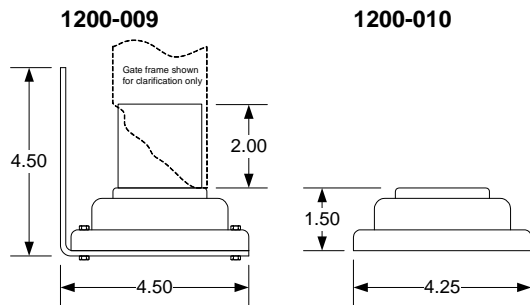
Entrapment prevention devices (required).....	Pg 20
Loops and loop detectors.....	Pg 21
Backup power inverters	Pg 26
6550-480 Heater Kit.....	460.00
• Use if temperature routinely falls below 10°F (-12°C)	
6500-490 Uphill Arm Pivot Assembly	200.00
• Use with 1203-084 Torsion Rod Assembly (Pg 9)	
Swing gate accessories.....	Pg 10-11
Gate operator accessories	Pg 22-24

Model 6550 Maximum Capacities			
Model	Max Gate Weight (Lbs)	Max Gate Width (Ft)	Max Cycles (Per Day)
1 HP	2000	25	Cont

Swing Gate Accessories

Hinges, Torsion Rod Counter-Balance

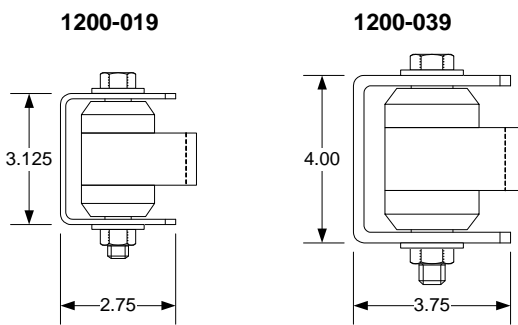
The DKS Swing Gate Hinges are designed for heavy wrought iron gates. When using the flange style hinge, two are used at the extreme top and bottom of the gate. When using the standard style hinge, the hinge can be welded to a gate mounting post at almost any position and to the gate itself. For un-level swing gates, the torsion rod assembly provides a method to counter-balance the gate to prevent gate runaway and relieves pressure on the gate operator. By adding additional torsion rods (6 maximum), heavier gates can be accommodated.



Flange Bearing Hinge

1200-009 3000 Lb Weight Capacity	114.00
1200-010 Replacement Bearing.....	70.00

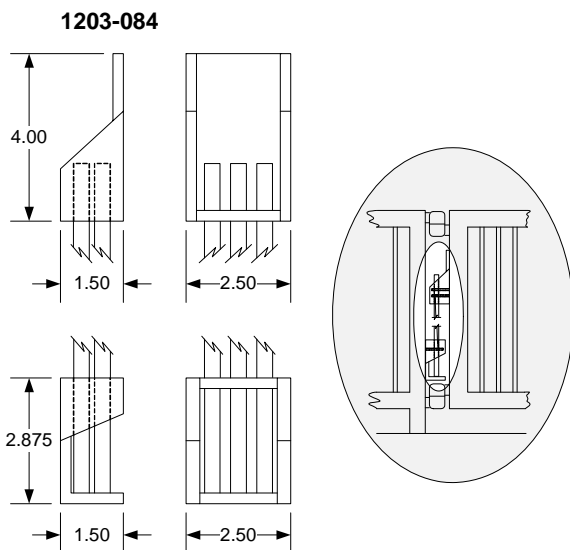
- Zert grease fitting
- Includes mounting bracket and hardware
- Two required per gate (top, bottom)
- Designed for use with 2" gate frame



Sealed Bearing Hinge

1200-019 2000 Lb Weight Capacity	125.00
1200-039 3000 Lb Weight Capacity	150.00

- Includes mounting bracket and hardware
- Two required per gate (top, bottom)
- Designed for use with round or square gate frames



Torsion Rod Assembly

1203-084.....	185.00
2600-299 Additional Torsion Rods.....	35.00

- Counter-balances uphill swing gates
- Includes top bracket, bottom bracket and one (1) torsion rod
- Up to five (5) additional torsion rods can be added

Swing Gate Operator Parts & Accessories

Miscellaneous Parts & Accessories

Circuit Boards

4302-010.....	500.00
Used in models 6002, 6003, 6004 and 6400	
4405-010.....	530.00
Used in model 6500, 6550	
4501-010 (obsolete)	530.00
Used in models 601, 602, 605, 610, 615, 620, 625, 630	
4502-010.....	530.00
Used in models 6050, 6100 and 6300	
2340-010.....	220.00
Used in models 6100 and 6300 with convenience open option	

Replacement Parts & Components

3004-010 Magnetic Counter Probe.....	160.00
Used in 601, 602, 605, 610, 615, 630, 6050, 6100, 6300 operators	
6100-210 80-Tooth Worm Gear Kit	182.00
Includes clutch pads and 80-tooth delrin main drive gear for 605, 610, 615, 6050 and 6100 operators	
2801-002 Clutch Disc	16.00
2600-644 100-Tooth Worm Gear.....	170.00
100-tooth delrin main drive gear for 620, 625, 630 and 6300 operators	
6100-040 Cross-Shaft Housing Assembly.....	280.00
Includes cast housing, cross-shaft, worm drive gear and related hardware. Does not include output shaft, clutch plates or clutch disc. Used in 6050 and 6100 operators	
6300-042 Cross-Shaft Housing Assembly.....	360.00
Includes cast housing, cross-shaft, worm drive gear and related hardware. Does not include output shaft, clutch plates or clutch disc. Used in 6300 operators	
2600-675 Main Shaft	140.00
Replacement main shaft for 605, 610, 6050 and 6100 operators	
2600-174 Main Shaft	160.00
Replacement main shaft for 630 and 6300 operators	
4601-058 Fuse 5A	4.00
Used on 4302 -010 circuit board	

Base Plate, Mounting Pipes, Pivot Arm

2600-664 Concrete Base Plate	140.00
Use to mount the 6050 or 6100 post mount operators onto an existing concrete pad	
2600-260 Mounting Pipe	80.00
Use with 6050 and 6100 post mount operators. 2-1/2 O.D. x 3-ft pipe, threaded on one end	
6500-490 Uphill Arm Pivot Assembly.....	200.00
Use with 6050, 6100, 6300 and 6500 operators when the gate opens on an uphill or downhill slope. Should be used with 1203-084 Torsion Rod Assembly.	

Bi-Parting Connection Cable

2600-754 Primary / Secondary Cable.....	1800.00
500-ft roll	
2600-755 Primary / Secondary Cable.....	120.00
30-ft roll	
2600-756 Primary / Secondary Cable.....	160.00
40-ft roll	
2600-757 Primary / Secondary Cable.....	200.00
50-ft roll	

Miscellaneous

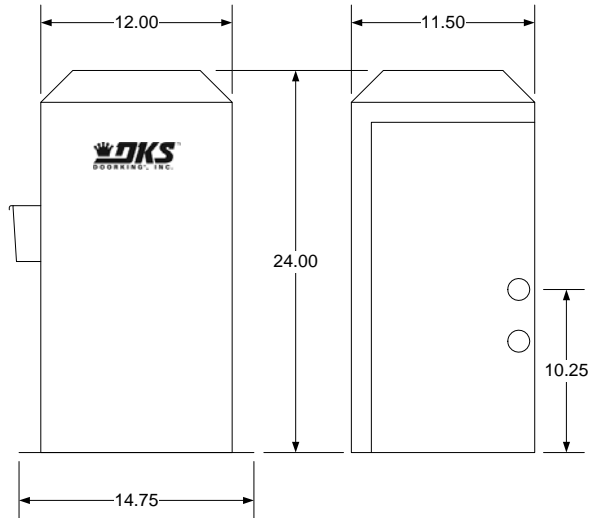
2600-770 Moly D Grease.....	15.00
14 oz. tube Molybdenum Disulfide (Moly D) multi-purpose grease for swing gate worm gears	
2600-225 Gate Test Scale.....	60.00
Measures the amount of force (Ft Lb) required to start a gate into motion	
2600-220 Touch-up Paint, White	36.00
2600-221 Touch-up Paint, Light Gray.....	36.00
2600-222 Touch-up Paint, Tan	36.00
2600-223 Touch-up Paint, Charcoal Gray.....	36.00

1801-009 Battery	76.00
12 Volt, 3.5 Amp Hour	
1801-004 Battery	180.00
12 Volt, 18 Amp Hour	
1801-005 Battery	230.00
12 Volt, 35 Amp Hour	

Models 9050 / 9100

Automatic Limit Slide Gate Operators

The model 9050 is designed for limited-duty residential applications only. The model 9100 is designed for continuous-duty residential and commercial applications and has a full feature circuit board. 20-feet of #40 chain is included with these operators.



Operators

9050-080 1/2 HP, 115V (4.3A)	1650.00
9100-080 1/2HP, 115V (5.4A)	2400.00

Options

2600-862 Fail-secure lock kit	26.00
-------------------------------------	-------

Accessories

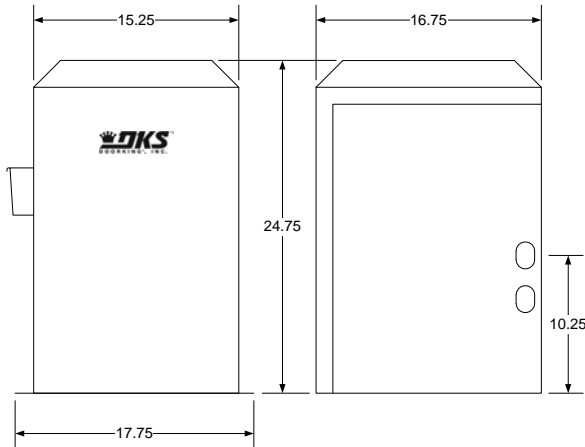
Entrapment prevention devices (required).....	Pg 20
Loops and loop detectors	Pg 21
Backup power inverters	Pg 26
1601-154 Heater Kit.....	400.00
• Use if temperature routinely falls below 10°F (-12°C)	
2600-418 Base plate (use for post mounting).....	70.00
2600-755 30-ft. Bi-parting gate connection cable.....	120.00
2600-756 40-ft. Bi-parting gate connection cable.....	160.00
2600-757 50-ft. Bi-parting gate connection cable.....	200.00
Additional chain.....	Pg 18
Slide gate accessories	Pg 16-18
Gate operator accessories	Pg 22-24

Model 9050 / 9100 Maximum Capacities			
Model	Max Gate Weight (Lbs)	Max Gate Length (Ft)	Max Cycles (Per Day)
9050	300	16	100
9100	1000	30	Cont

Model 9150

Automatic Limit Slide Gate Operators

The model 9150 slide gate operator is designed to operate vehicular sliding gates in residential commercial and industrial applications. The operator has a full feature circuit board and includes 20-feet of #40 chain.



Operators

9150-084 1/2 HP, 115V (5.4A)	2570.00
9150-094 1/2 HP, 208V (2.8A)	3030.00
9150-085 1/2 HP, 230V (2.7A)	3030.00
9150-090 1/2 HP, 460V (1.4A)	3030.00
9150-086 1/2 HP, 115V (5.4A) w/C.O.....	3410.00
9150-095 1/2 HP, 208V (2.8A) w/C.O.....	3870.00
9150-087 1/2 HP, 230V (2.7A) w/C.O.....	3870.00
9150-091 1/2 HP, 460V (1.4A) w/C.O.....	3870.00
9150-080 1 HP, 115V (9.7A)	3100.00
9150-092 1 HP, 208V (5.0A)	3560.00
9150-081 1 HP, 230V (4.9A)	3560.00
9150-088 1 HP, 460V (2.5A)	3560.00
9150-082 1 HP, 115V (9.7A) w/C.O	3940.00
9150-093 1 HP, 208V (5.0A) w/C.O	4400.00
9150-083 1 HP, 230V (4.9A) w/C.O	4400.00
9150-089 1 HP, 460V (2.5A) w/C.O.	4400.00

- C.O. = Convenience Open which opens gate upon AC power loss
- 208 / 230 / 460 Volt operators use a step-down transformer to achieve 115 Volt operating voltage

Options

2600-865 Fail-secure lock kit	32.00
-------------------------------------	-------

Accessories

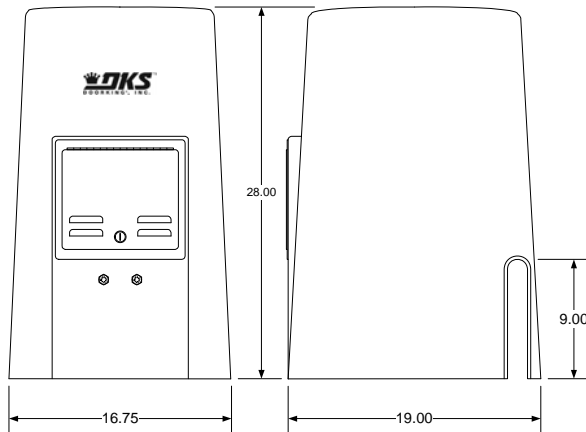
Entrapment prevention devices (required).....	Pg 20
Loops and loop detectors.....	Pg 21
Backup power inverters	Pg 26
1601-154 Heater Kit.....	400.00
• Use if temperature routinely falls below 10°F (-12°C)	
2600-495 Base plate (use for post mounting).....	160.00
Additional chain	Pg 18
Bi-parting gate connection cable	Pg 18
Slide gate accessories	Pg 16-18
Gate operator accessories	Pg 22-24

Model 9150 Maximum Capacities			
Motor	Max Gate Weight (lbs.)	Max Gate Length (ft.)	Cycles (day)
1/2 HP	1000	30	Cont.
1/2 HP w/C.O.	800	30	Cont.
1 HP	1500	45	Cont.
1 HP w/C.O.	1300	45	Cont.

Model 9000

Adjustable Limit Slide Gate Operators

The model 9000 slide gate operator is designed to operate vehicular sliding gates in residential commercial and industrial applications. The operator has a full feature circuit board and includes 20-feet of #40 chain. Secondary operators are used in bi-parting (dual) gate applications and are commanded from and powered from the primary operator. Secondary operators cannot be used as a stand-alone device.



Operators

9000-080 1/2 HP, 115V (5.4A) Primary	2600.00
9000-082 1/2 HP, 208V (2.8A) Primary	3440.00
9000-083 1/2 HP, 230V (2.7A) Primary	3440.00
9000-084 1/2 HP, 460V (1.4A) Primary	3440.00
9000-081 1/2 HP, Secondary	2100.00

- 208 / 230 / 460 Volt operators above use a step-down transformer to achieve 115 Volt operating voltage
- Secondary operator is 115V, 5.4A

9000-085 1 HP, 115V (9.7A) Primary	3140.00
9000-086 1 HP, 115V (9.7A) Secondary	2540.00

9000-087 1 HP, 208V 1 ^Ø (5.0A)	3530.00
9000-088 1 HP, 230V 1 ^Ø (4.9A).....	3530.00

- Secondary operator is not available for 208 / 230 Volt 1^Ø units

Accessories

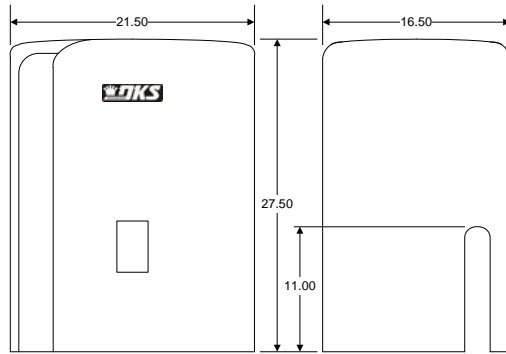
Entrapment prevention devices (required).....	Pg 20
Loops and loop detectors	Pg 21
Backup power inverters.....	Pg 26
1601-154 Heater Kit.....	400.00
• Use if temperature routinely falls below 10°F (-12°C)	
9000-015 Post Mount Kit.....	260.00
• Includes baseplate, mounting posts and hardware.	
2600-755 30-ft. Bi-parting gate connection cable.....	120.00
2600-756 40-ft. Bi-parting gate connection cable.....	160.00
2600-757 50-ft. Bi-parting gate connection cable.....	200.00
Additional chain.....	Pg 18
Slide gate accessories	Pg 16-18
Gate operator accessories	Pg 22-24

Model 9000 Maximum Capacities			
Motor	Max Gate Weight (lbs.)	Max Gate Length (ft.)	Cycles (day)
1/2 HP	1000	35	Cont.
1 HP	1500	35	Cont.

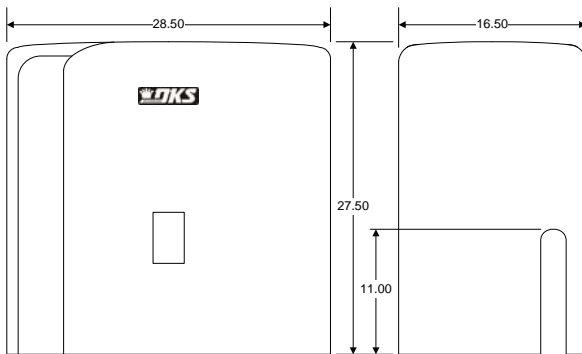
Model 9310

Adjustable Limit Slide Gate Operators

The model 9310 slide gate operator is designed to operate vehicular sliding gates in residential commercial and industrial applications. The operator has a full feature circuit board and includes 20-feet of #40 chain.



1/2 HP Operators



1 HP Operators

Operators

- 9310-080 1/2 HP, 115V (5.4A) 2300.00
- 9310-086 1/2 HP, 208V (2.8A) 2760.00
- 9310-082 1/2 HP, 230V (2.7A) 2760.00
- 9310-084 1/2 HP, 460V (1.4A) 2760.00

- 9310-081 1/2 HP, 115V (5.4A) w/C.O..... 3140.00
- 9310-087 1/2 HP, 208V (2.8A) w/C.O..... 3600.00
- 9310-083 1/2 HP, 230V (2.7A) w/C.O..... 3600.00
- 9310-085 1/2 HP, 460V (1.4A) w/C.O..... 3600.00

- 208 / 230 / 460 Volt operators above use a step-down transformer to achieve 115 Volt operating voltage

- 9310-088 1 HP, 115V (9.7A) 2800.00
- 9310-090 1 HP, 230V 1^Ø (4.9A)..... 3230.00
- 9310-092 1 HP, 208V 3^Ø (3.4A)..... 3230.00
- 9310-094 1 HP, 230V 3^Ø (3.3A)..... 3230.00
- 9310-096 1 HP, 460V 3^Ø (1.7A)..... 3230.00

- 9310-089 1 HP, 115V (9.7A) w/C.O. 3630.00
- 9310-091 1 HP, 230V 1^Ø (4.9A) w/C.O..... 4070.00
- 9310-093 1 HP, 208V 3^Ø (3.4A) w/C.O..... 4070.00
- 9310-095 1 HP, 230V 3^Ø (3.3A) w/C.O..... 4070.00
- 9310-097 1 HP, 460V 3^Ø (1.7A) w/C.O..... 4070.00

- C.O. = Convenience Open which opens gate upon AC power loss

Options

- 2600-861 Fail-secure lock kit 105.00

Accessories

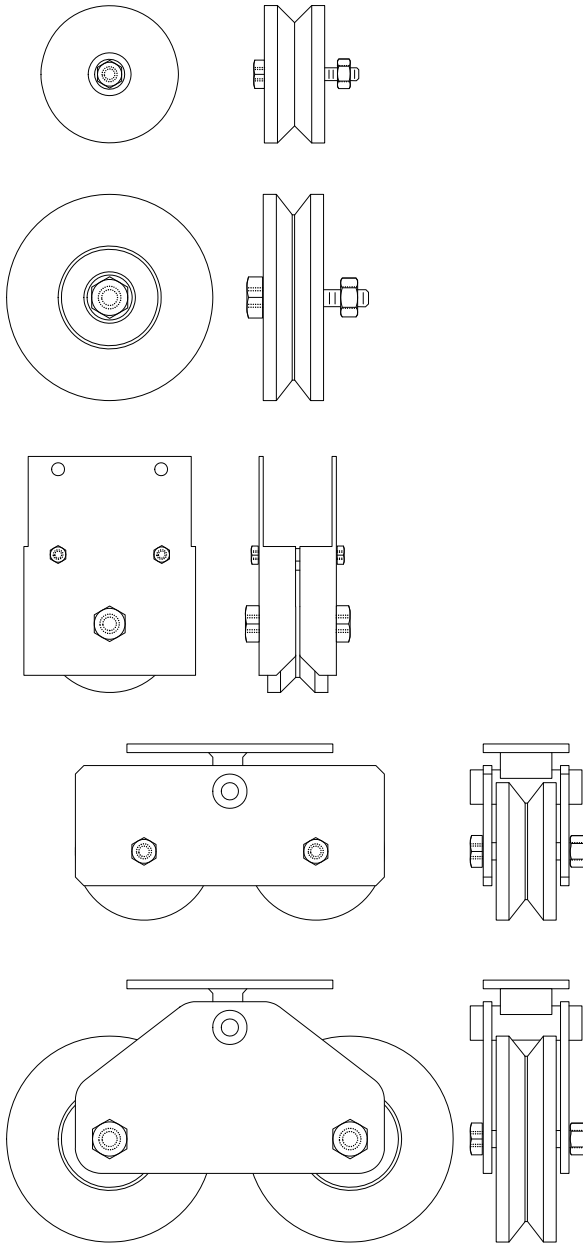
- Entrapment prevention devices (required).....Pg 20
- Loops and loop detectors.....Pg 21
- Backup power invertersPg 26
- 9310-201 Base plate 1/2 HP (for post mounting)..... 160.00
- 9310-202 Base plate 1 HP (for post mounting) 180.00
- 1601-154 Heater Kit..... 400.00
- Use if temperature routinely falls below 10°F (-12°C)
- Additional chainPg 18
- Slide gate accessories Pg 16-18
- Gate operator accessories Pg 22-24

Model 9310 Maximum Capacities			
Motor	Max Gate Weight (lbs.)	Max Gate Width (ft.)	Cycles (day)
1/2 HP	1000	30	Cont.
1/2 HP w/C.O.	800	30	Cont.
1 HP	1500	40	Cont.
1 HP w/C.O.	1300	40	Cont.

Slide Gate Accessories

V-Wheels

DKS V-wheels are used in slide gate applications that utilize an inverted "V" type track. V-Wheel assemblies are designed for 2 inch gate frames and tandem assemblies can be used on any size frame.



Replacement V-Wheels

1201-004.....	34.00
• 4-inch UHMW Sleeve Bearing 500 Lb Max Wt	
1201-006.....	48.00
• 4-inch UHMW Sealed Bearing 750 Lb Max Wt	
1201-016.....	84.00
• 4-inch Steel Sealed Bearing 1500 Lb Max Wt	
1201-000.....	170.00
• 6-inch Steel Sealed Bearing 2500 Lb Max Wt	

V-Wheel Assemblies

1201-102.....	64.00
• 4-inch UHMW Sleeve Bearing 500 Lb Max Wt	
1201-105.....	86.00
• 4-inch UHMW Sealed Bearing 750 Lb Max Wt	
1201-117.....	115.00
• 4-inch Steel Sealed Bearing 1500 Lb Max Wt	

4 Inch Tandem V-Wheel Assemblies

1201-012.....	168.00
• 4-inch UHMW Sealed Bearing 1500 Lb Max Wt	
1201-010.....	294.00
• 4-inch Steel Sealed Bearing 3000 Lb Max Wt	

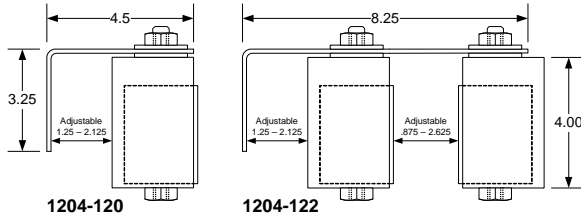
6 Inch Tandem V-Wheel Assembly

1201-210.....	428.00
• 6-inch Steel Sealed Bearing 5000 Lb Max Wt	

Slide Gate Accessories

Guide Rollers, Chain Idler, End Catch

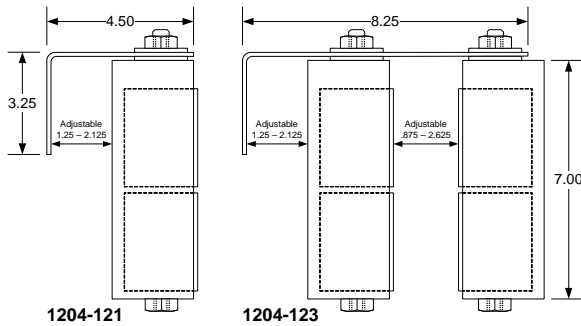
Guide rollers are guarded to meet current industry safety standards. The DKS chain idler assembly is used when slide gate operators are rear-mounted. The end retainer provides a guide for slide gates to slip into, and has a cap that prevents the gate from being lifted off the track when it is in the full closed position.



3 Inch Guide Rollers

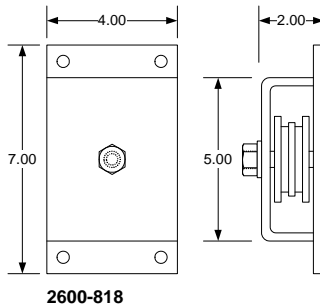
1204-120 Single	63.00
1204-122 Dual.....	110.00
1204-005 3-Inch replacement roller	15.00

- Use two for 6-inch roller



6 Inch Guide Rollers

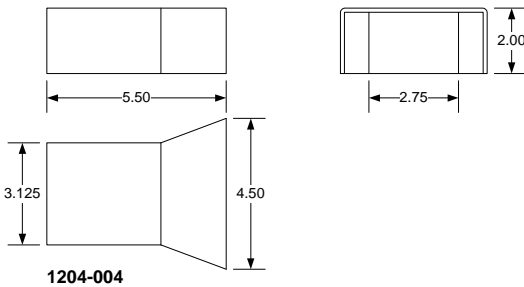
1204-121 Single	78.00
1204-123 Dual.....	136.00



Chain Idler Assembly

2600-818.....	80.00
---------------	-------

- Use with rear-mount slide gate operators. Works with #40 and #41 chain



End Catch

1204-004.....	42.00
---------------	-------

- Designed for gates with 2-inch frame

Slide Gate Operator Parts & Accessories

Miscellaneous Parts & Accessories

Circuit Boards	
4402-009 (obsolete)	530.00
Used in model 9300 1 HP only	
4402-010 (obsolete)	530.00
Used in model 9300 1/2 HP only	
4403-010	530.00
Used in model 9310	
4405-010	530.00
Used in model 9000	
4601-010 (obsolete)	650.00
Used in models 910, 915, 920	
4602-010	650.00
Used in models 9100, 9150	
4701-010 (obsolete)	450.00
Used in models 905, 907	
4702-010	450.00
Used in models 9050, 9070	
2340-010	220.00
Used in models 6100 and 6300 with convenience open option	

Replacement Parts & Components	
2600-903 Drive Shaft Assembly	85.00
Used in models 905, 907, 910, 9050, 9070, 9100	
2600-904 Drive Shaft Assembly	90.00
Used in models 915 and 9150	
2600-860 Solenoid Lock Assembly.....	80.00
Used in models 9050, 9070, 9100 and 9150	
2600-861 Solenoid Lock Assembly.....	105.00
Used in model 9310 operator	
1801-009 Battery.....	76.00
12 Volt, 3-Amp Hour battery	

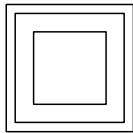
Chain	
2600-443 Nickel Plated #41 Chain – 10 Ft.....	63.00
2600-444 Nickel Plated #40 Chain – 10 Ft.....	95.00
2600-475 Stainless Steel #41 Chain – 20 Ft.....	378.00
2600-441 #41 Chain – 20 Ft	95.00
2600-442 #40 Chain – 20 Ft	126.00
2600-271 Chain Stop for #40 and #41 Chain.....	21.00
2600-961 Chain Link Fence Gate Bracket.....	68.00
Base Plates	
2600-418 Steel Base Plate.....	70.00
Use with 9050 and 9100 operators	
2600-495 Steel Base Plate.....	160.00
Use with 9150 operator	
2600-970 Base Plate Stop Bracket	46.00
Use with 2600-418 and 2600-495	
9310-201 Steel Base Plate.....	160.00
Use with 9310 1/2 HP operators	
9310-202 Steel Base Plate.....	180.00
Use with 9310 1 HP operators	
Bi-Parting Connection Cable	
2600-754 Primary / Secondary Cable.....	1800.00
500-ft roll	
2600-755 Primary / Secondary Cable.....	120.00
30-ft roll	
2600-756 Primary / Secondary Cable.....	160.00
40-ft roll	
2600-757 Primary / Secondary Cable.....	200.00
50-ft roll	
Miscellaneous	
2600-225 Gate Test Scale	60.00
Measures the amount of force (Ft Lb) required to start a gate into motion	
2600-220 Touch-up Paint, White	36.00
2600-221 Touch-up Paint, Light Gray.....	36.00
2600-222 Touch-up Paint, Tan	36.00
2600-223 Touch-up Paint, Charcoal Gray	36.00

Blank Page

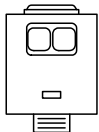
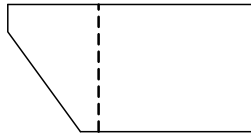
Entrapment Prevention Devices

Type B1 and Type B2

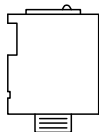
Entrapment prevention devices are required in almost all general access automated gate applications. Photo-cells are used as type B1 (non-contact sensors) devices. Electric edges are used as type B2 (contact sensors) devices.



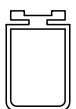
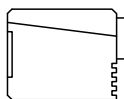
8080-010



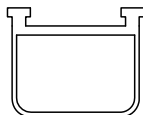
8080-011



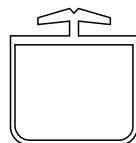
8080-030 / 8080-031



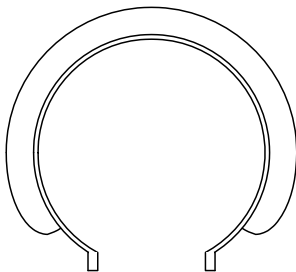
8080-016



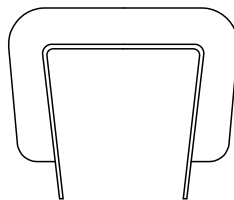
8080-015



8080-020



8080-021



8080-022

Type B1 Non-Contact Sensors

8080-010 Infrared Thru-Beam 420.00

- 24 Volt AC / DC
- 165-foot maximum sensing distance
- Separate sender and receiver
- Includes hood and heated enclosure

8080-011 Photo Reflective..... 314.00

- 12 Volt DC / 24 Volt AC
- 30-foot maximum sensing distance

8080-030 Polarized Photo Reflective 292.00

- 24-240 Volt AC / 12-240 Volt DC
- 35-foot maximum sensing distance

8080-031 Infrared Thru-Beam 390.00

- 24-240 Volt AC / 12-240 Volt DC
- 65-foot maximum sensing distance
- Separate sender and receiver

Type B2 Contact Sensors

8080-016 6-Foot Edge..... 320.00

- Includes mounting channel - ideal for barrier arms

8080-015 5-Foot Edge..... 310.00

- Includes mounting channel

8080-020 5-Foot Edge..... 330.00

- Sensitive on all 3 sides – includes mounting channel

8080-021 5-Foot Edge..... 350.00

- Designed to fit on 2-inch round gate post

8080-022 5-Foot Edge..... 350.00

- Designed to fit on 2-inch square gate post

Contact Sensor Accessories

8060-061 Wireless RF Kit 416.00

- Receiver (12-24 Volt AC/DC) and transmitter housed in NEMA 4 enclosure with low battery alarm

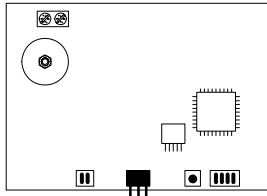
8080-017 Coiled Cord 16-Foot 100.00

8060-076 Plastic Receiver Box 18.50

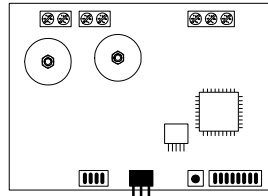
Vehicle Protection

Loop Detectors and Loops

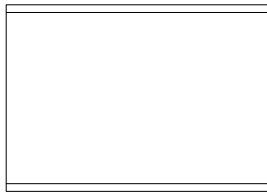
Loop detectors and loops are strongly recommended on all automated vehicular gate applications to help prevent gates from closing on vehicles in the path of the gate.



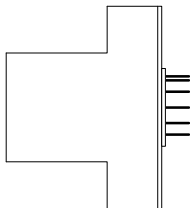
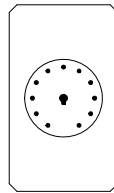
9410-010



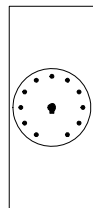
9409-010



9402-045 / 9402-047



9402-044



Loop Detectors

9410-010 DKS Single Channel 199.50

- Plug-in detector - use with DKS gate operators only

9409-010 DKS Two Channel 378.00

- Plug-in detector – use with DKS gate operators only

9402-045 Reno A&E 12/24 Volt DC or 24 Volt AC 250.00

9402-047 Reno A&E 120 Volt AC 250.00

- Reno A&E detectors have 2 relay outputs
- Reno A&E detectors require 9402-061 wire harness

9402-044 Carlo Gavazzi 24 Volt AC or DC 185.50

- Carlo Gavazzi detector - 2 relay outputs
- Requires 9402-061 wire harness

9402-061 Wire Harness..... 22.00

Loop Wire – 18 AWG – XLPE Insulation

9402-076 500-Ft Roll – Black..... 160.00

9402-077 1000-Ft Roll – Black..... 250.00

9402-078 500-Ft Roll – Blue..... 160.00

9402-079 1000-Ft Roll – Blue..... 250.00

9402-080 500-Ft Roll – Red..... 160.00

9402-081 1000-Ft Roll – Red..... 250.00

Prefabricated Loops, 24-Ft Circumference, 50-Ft Lead-In

9401-060 Blue Loop Wire / PLIOVIC Tubing 250.00

9401-061 Yellow Loop Wire / PLIOVIC Tubing 250.00

9401-062 Red Loop Wire / PLIOVIC Tubing..... 250.00

Loop Miscellaneous

2600-771 Asphalt Sealant (Black) – 10 oz. Tube 16.00

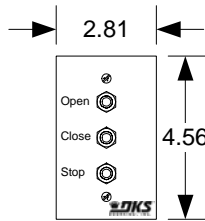
2600-772 Concrete Sealant (Gray) – 10 oz. Tube..... 16.00

9401-045 Loop Test Meg-Ohm Meter..... 450.00

Control Stations

Manual Control

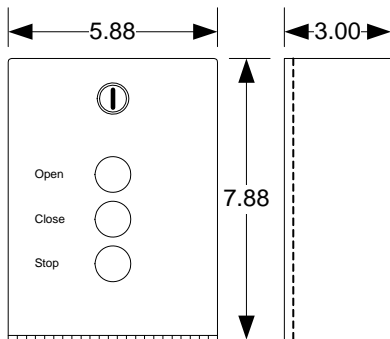
Gate operator control stations provide complete manual control for DKS vehicular gate operators. The unique logic inputs found on DKS gate operators require only 3 wires for connection to a 3-button control station.



1200-007

1200-007..... 75.00

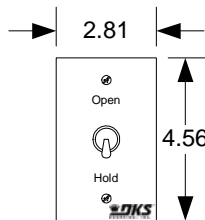
- 3-button interior open-close-stop
- Mounts into single-gang electric box
- Use for most DKS gate operators (cannot be used with model 9000)



1200-006

1200-006..... 135.00

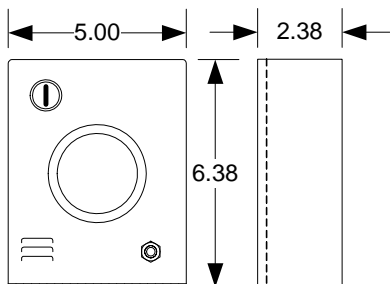
- 3-button interior/exterior open-close-stop
- Surface or post mounted
- Use for most DKS gate operators (cannot be used with model 9000)



1200-017

1200-017..... 45.00

- Open-hold-normal gate control
- Mounts into single-gang electric box



1404-080

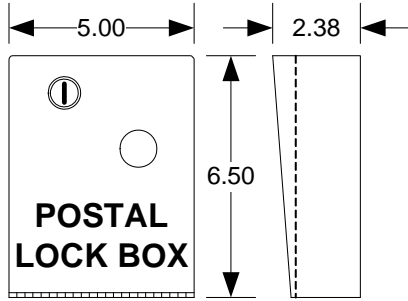
1404-080..... 190.00

- Operator reset station provides a manual reset control when an operator is in a hard shutdown condition
- Includes audible and visual alarm indicators
- Must be mounted in the line-of-site of the gate operator

Lock Boxes

Postal and Fire Department

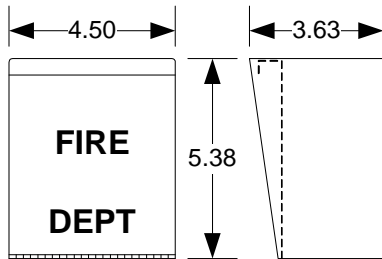
Postal and Fire Department lock boxes provide a method for these authorities to gain access through a vehicular access gate.



1402-080

1402-080..... 110.00

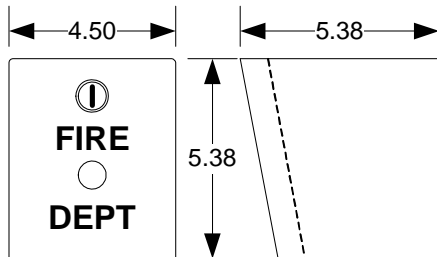
- Accepts standard postal key lock
- Postal lock can be installed to either open the 1402 box, or activate a door or gate
- Surface or post mount
- Painted postal blue



1400-080

1400-080..... 100.00

- Accepts Fire Department pad lock
- Cover opens and activates a switch when the pad lock is removed
- Gate or door will hold open until the cover is closed and the pad lock replaced
- Surface or post mount
- Painted bright red



1401-080

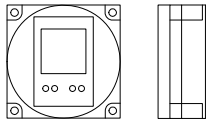
1401-080..... 100.00

- Accepts Knox 3501 key switch
- Surface or post mount
- Faceplate painted bright red, box is painted black

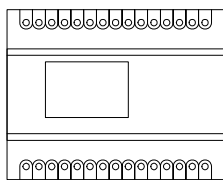
Accessories

Time Clock & Surge Suppressers

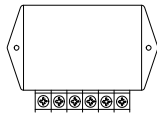
Electronic time clocks are ideal for use in applications where an access control system does not control "hold open" time periods. Vehicular gate operators and barrier gate operator systems are typical. Surge suppressers are designed to provide additional protection to equipment in areas prone to voltage spikes and surges. Surge suppressers come with a plastic mounting bracket. Red / Green traffic signal is ideal for all vehicular gate applications – providing a visual signal when the gate is safe to drive through.



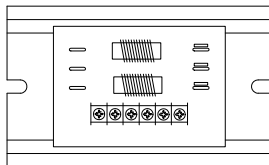
2600-791



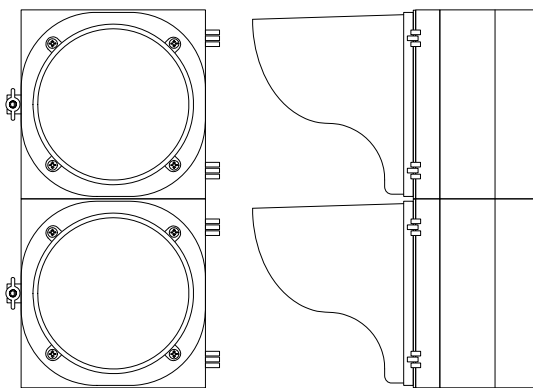
2600-795



1879-080



1878-010



1603-208

Time Clocks

2600-791..... 210.00

- 7 Day Time Clock
- 20 programs
- 24 Volt AC input power
- Form "C" dry contact relay

2600-795..... 650.00

- 365 Day Time Clock
- 7-Day and 24 hour programming features
- Holiday programming
- Automatic leap-year adjustment through 2095
- Daylight savings time
- 24 Volt AC input power

Surge Suppressers

1879-080..... 130.00

- High Voltage (110-120 VAC)

1878-010..... 130.00

- Low Voltage (24-20 VAC)

Traffic Signal

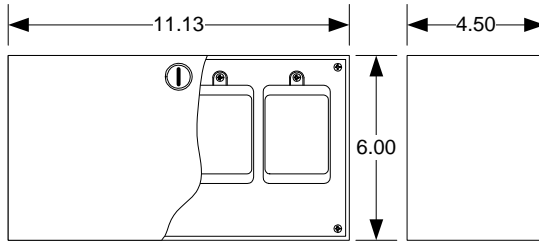
1603-208..... 730.00

- Red / Green traffic signal
- 8-inch lens

Accessory Transformers

12, 16, 24 Volt AC & DC Transformers

A variety of accessory transformers are available to power the different products that we sell. AC transformers are typically used with access control devices and controllers, while DC transformers are used with magnetic locks and proximity card readers. Check the individual product to determine which transformer is required. NOTE: Many of our products INCLUDE a transformer.

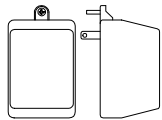


1200-080

Transformer Box

1200-080..... 195.00

- Holds up to four (4) 20-VA transformers
- Suitable for indoor and outdoor use
- Does not include transformers



20 VA Transformers

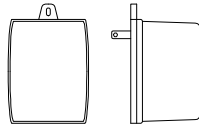
1215-061 12-Volt AC Output
 1804-059 24-Volt AC Output
 1804-060 16-Volt AC Output

20-VA Transformers

1215-061 12-Volt, AC..... 37.50

1804-059 24-Volt, AC..... 43.50

1804-060 16-Volt, AC..... 43.50

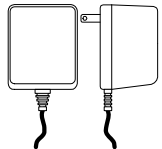


50 VA Transformer

1508-060 16-Volt AC Output

50-VA Transformer

1508-060 16-Volt, AC..... 48.00



DC Transformers

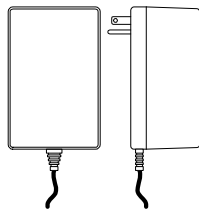
1215-060 24-Volt 350 mA
 1812-035 24-Volt 500 mA
 1812-037 12-Volt 1000 mA

DC Transformers

1215-060 24-Volt, 350 ma 43.50

1812-035 24-Volt, 500 ma 45.00

1812-037 12-Volt, 1000 ma 50.00



Regulated DC Transformer

1812-038 12-Volt 1000 mA

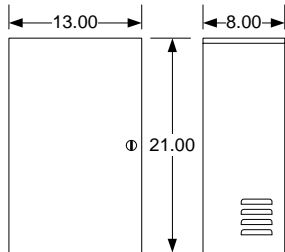
DC Regulated Transformer

1812-038 12-Volt, 1000 ma 97.50

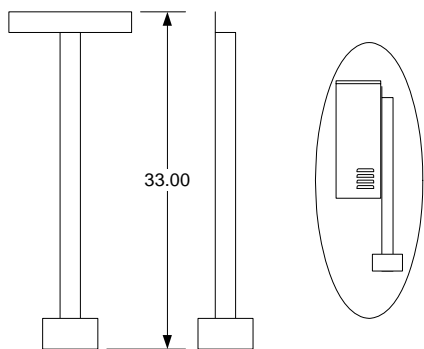
Models 1000 / 2000

Back-up Power / Inverters

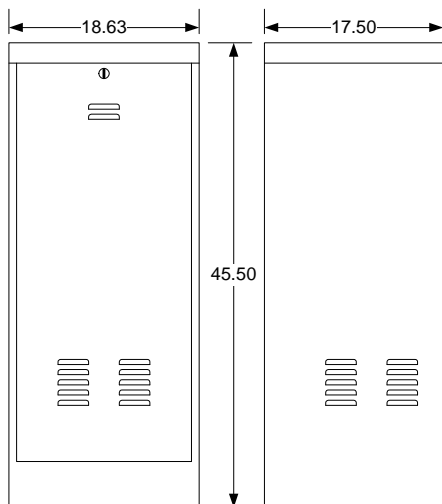
The model 1000 and 2000 Power Inverters are designed to provide backup AC power for an entire vehicular access control system when primary (AC) power fails. Unlike some backup systems which simply provide DC power for the gate operator itself, these inverters provide 120 Volt AC power to all components (gate operator, access control system, loop detectors, reversing devices, emergency vehicle access devices, etc.) of the access control system. The model 1000 is designed to provide power for two (2) gate operators and related access control system accessories while the model 2000 can provide power for up to six (6) gate operators and related access control accessories.



Model 1000



1000-045



Model 2000

Model 1000 Inverter

1000-080 1000 Watt, Modified Sine Wave1365.00

- Includes one (1) battery and will power one (1) 1/2 HP operator
- Use only with DoorKing gate operators

1000-082 1000 Watt, Pure Sine Wave1785.00

- Includes two (2) batteries and will power two (2) 1/2 HP operators or one (1) 1 HP operator
- Suitable for use with all DoorKing and non-DoorKing brand gate operators

1000-045 Post Mount for 1000 Inverter 225.00

1000-048 Battery & Cable Assembly..... 245.00

- Order this to add a second battery to the 1000 Watt inverter

1801-005 Battery 230.00

- 12 Volt, 35 AH SLA (Sealed Lead Acid) battery

1000-044 Battery Cable Set 15.00

Model 2000 Inverter

2000-080 1500 Watt, 12.5 Amp Maximum.....6050.00

2000-081 2400 Watt, 20 Amp Maximum.....6490.00

2000-082 3600 Watt, 30 Amp Maximum.....6920.00

- Model 2000 inverters can power up to six (6) gate operators
- Model 2000 inverters require two (2) 12 Volt Deep Cycle batteries connected in series to provide a 24 Volt DC input to the inverter system
- Model 2000 inverters DO NOT include batteries

Blank Page