

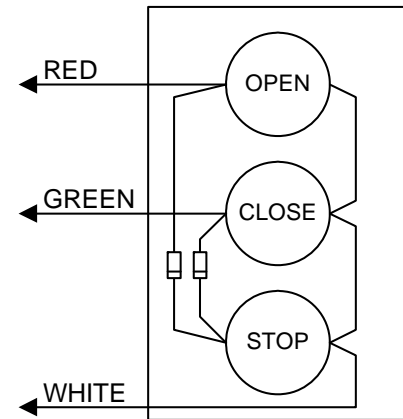


Wiring Instructions for 3-Button Control Stations

3-button control stations provide open, close and stop operation for slide, swing and overhead gate operators that utilize DoorKing 4402, 4403, 4404, 4501, 4502, 4601 or 4602 operator control boards. The 1200-006 control station is designed for indoor or outdoor use, while the 1200-007 is designed for indoor use only and mounts in a single-gang electrical box.

This control station must be mounted a minimum of 10-feet away from the gate and gate operator, or installed in such a way that the user cannot touch the gate or gate operator while using this control.

Be sure that power to the operator is OFF before wiring the control station. Use 18 AWG wire for control station connections.



Board Number	Operators	Operator Terminals		
		Open (Red)	Close (Green)	Common (White)
4402	1150, 9200, 9300	8	9	1
4403	9310	7	8	13
4404	9210, 9220, 9230, 9530, 9550	7	8	1
4501, 4502	480, 600, 605, 610, 615, 620, 625, 630, 805, 810, 815, 6050, 6100, 6300	13	14	20
4601, 4602	910, 915, 1100, 9100, 9150	8	9	18