

MODEL 1601 FAN KIT

DoorKing Part Number

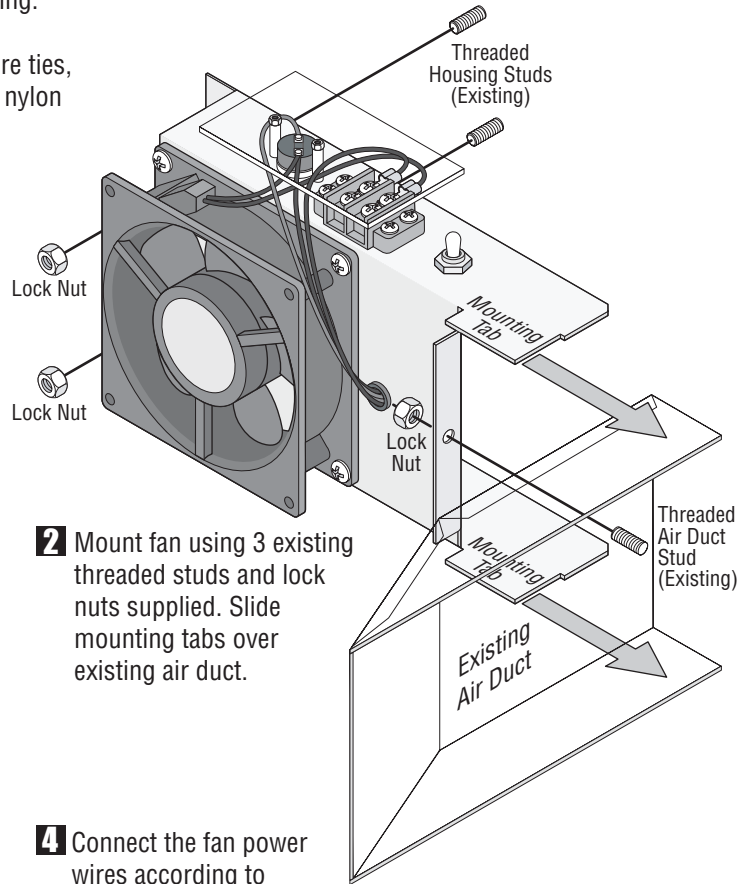
1601-093

This kit is designed for the 1600 model barrier gate operators only. Recommended for hot and humid climates. An automatic thermostat will control heat and humidity inside operator housing.

Kit Includes: Fan Assembly with black and white wires, 5 wire ties, 3 double stick wire tie mounts, 2 plastic wire restrainers and 3 nylon lock nuts.

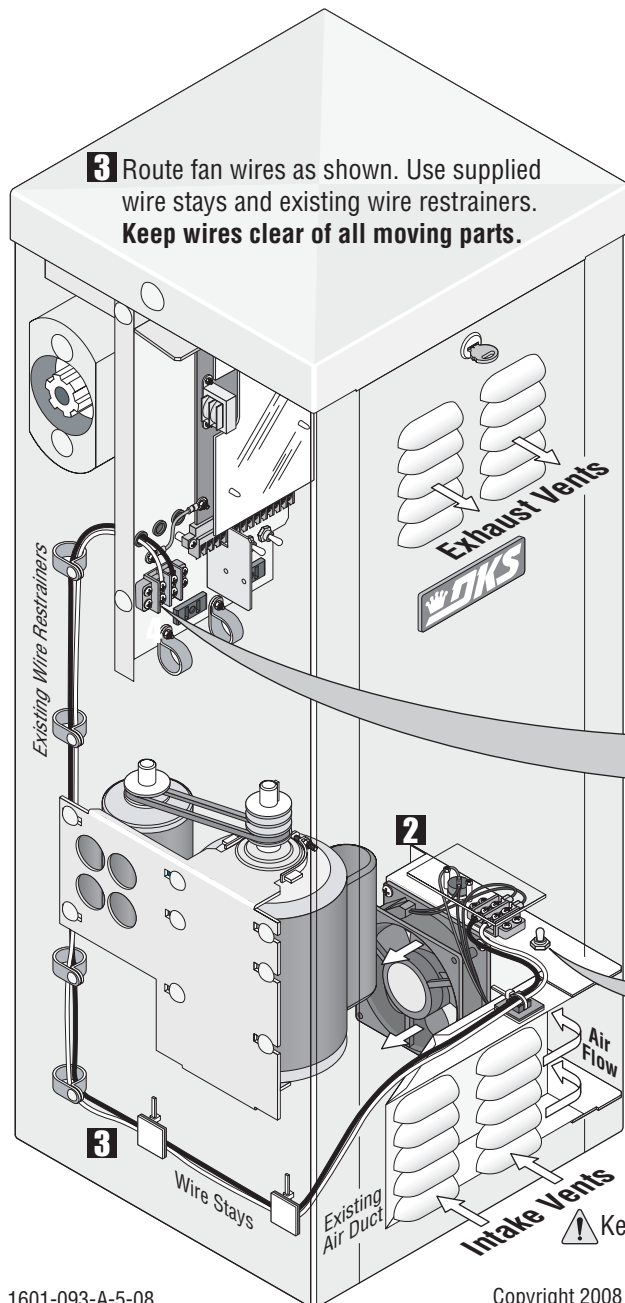
Installation

- 1** Shut off AC power to operator. Turn off DC power switch on certain models.

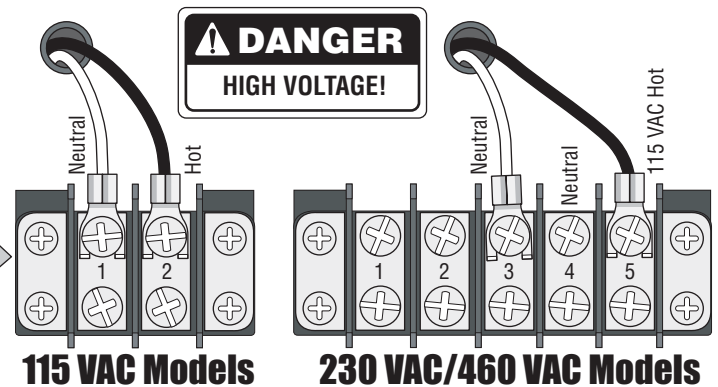


- 2** Mount fan using 3 existing threaded studs and lock nuts supplied. Slide mounting tabs over existing air duct.

- 4** Connect the fan power wires according to operator model type.



- 3** Route fan wires as shown. Use supplied wire stays and existing wire restrainers. **Keep wires clear of all moving parts.**



- 5** Fan switch settings.

OFF - Turns the fan off.
ON - Turns the fan on continuously.
AUTO - Normal setting. Automatically turns the fan **ON** when the temperature rises above 90°F inside the housing, and turns the fan **OFF** when the temperature drops below 90°F.

⚠ Keep intake vents clear of debris.