

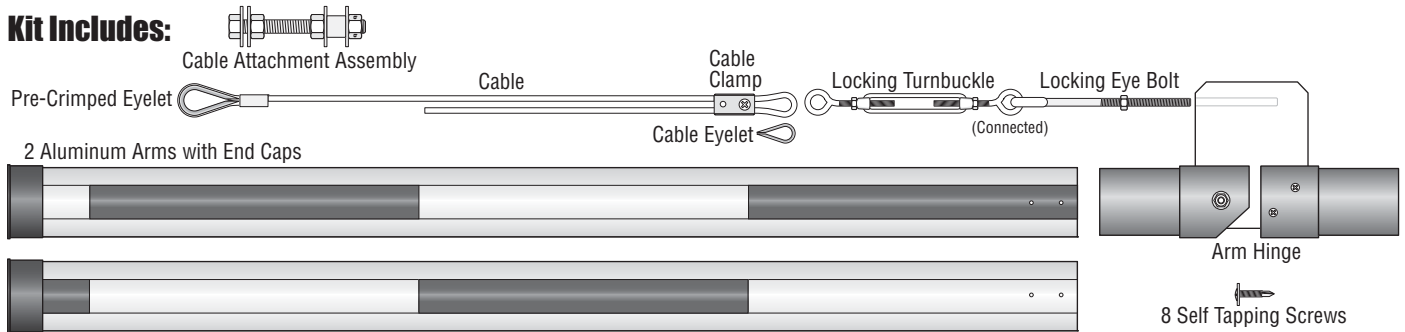
# ALUMINUM ARM FOLDING KIT

DoorKing Part Number

**1601-310**

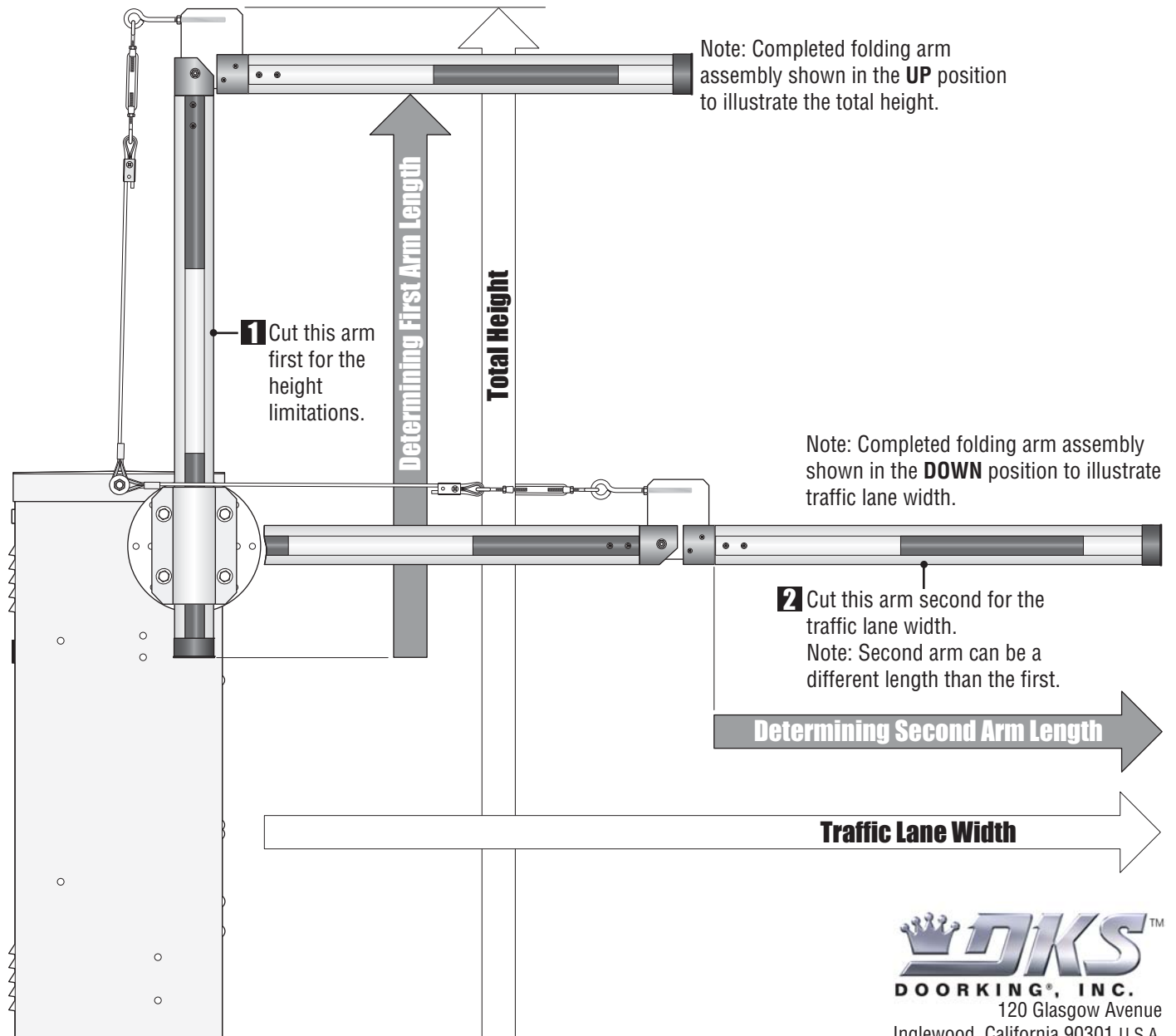
This kit is designed for the 1600 model barrier gate operators only. Recommended for low headroom applications.

## Kit Includes:



## Installation

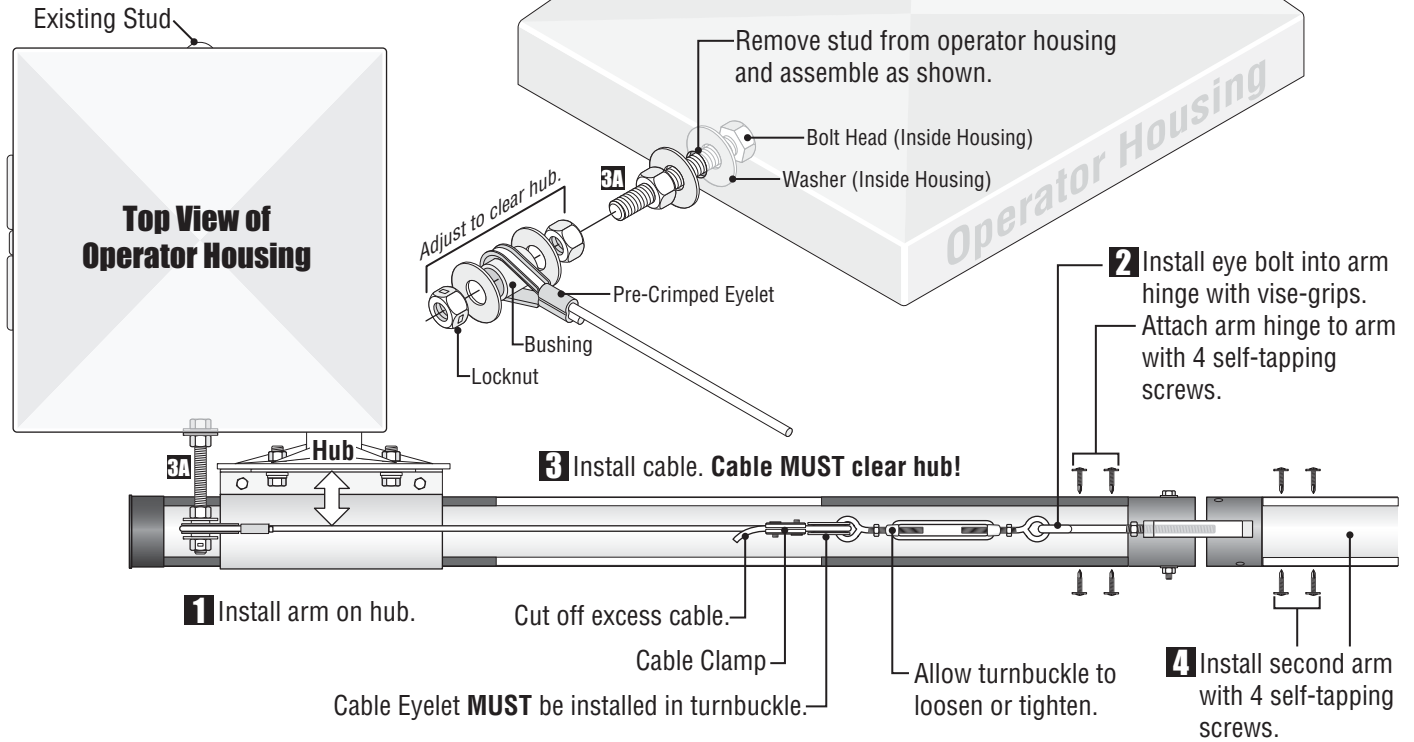
### Cut Arms to Length



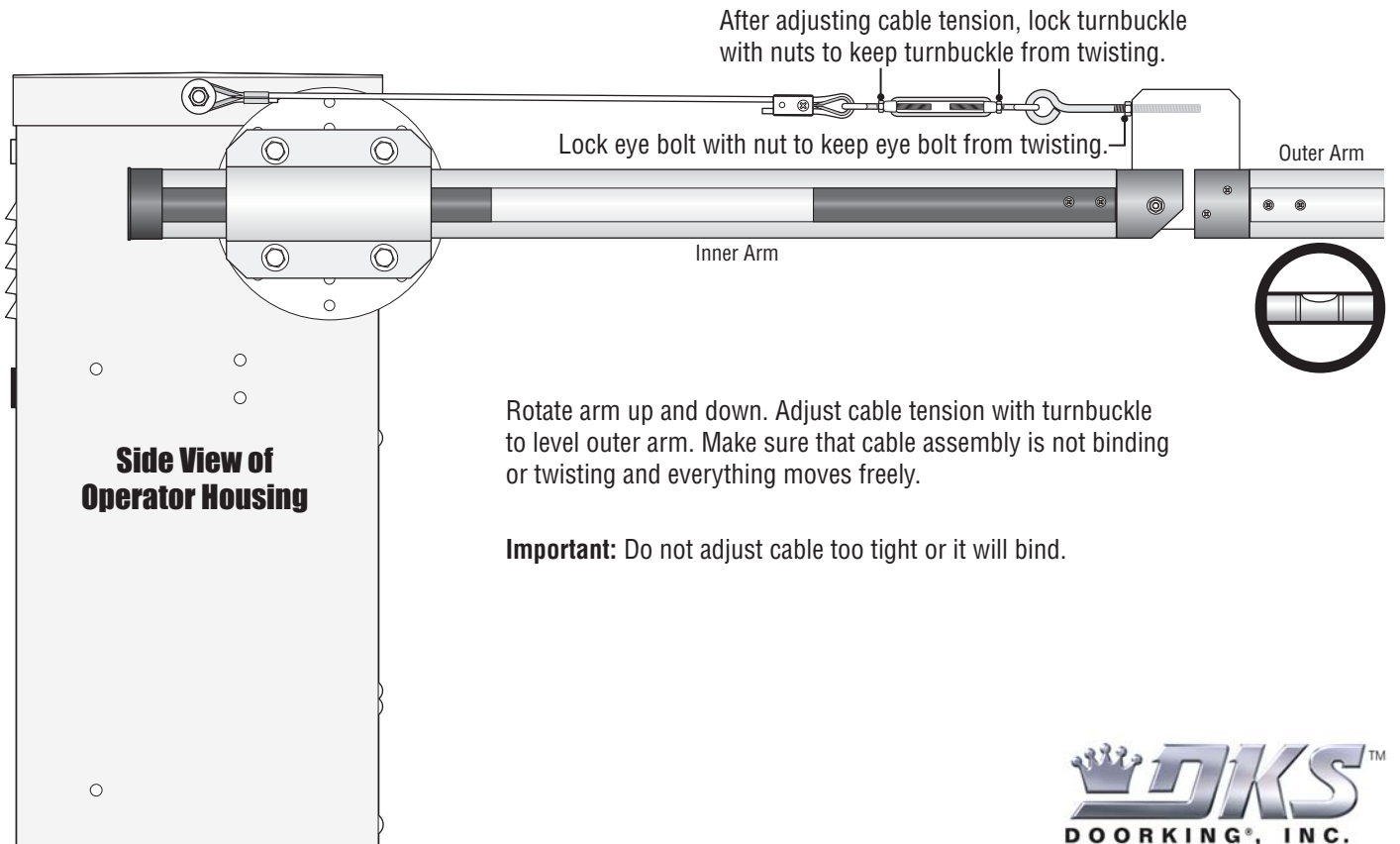
# Installing Arms

DoorKing Part Number

**1601-310**



## Adjusting and Locking Cable Assembly



Rotate arm up and down. Adjust cable tension with turnbuckle to level outer arm. Make sure that cable assembly is not binding or twisting and everything moves freely.

**Important:** Do not adjust cable too tight or it will bind.