

MODEL 6050/6100 POST MOUNT BASE KIT

DoorKing Part Number


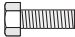

2600-674

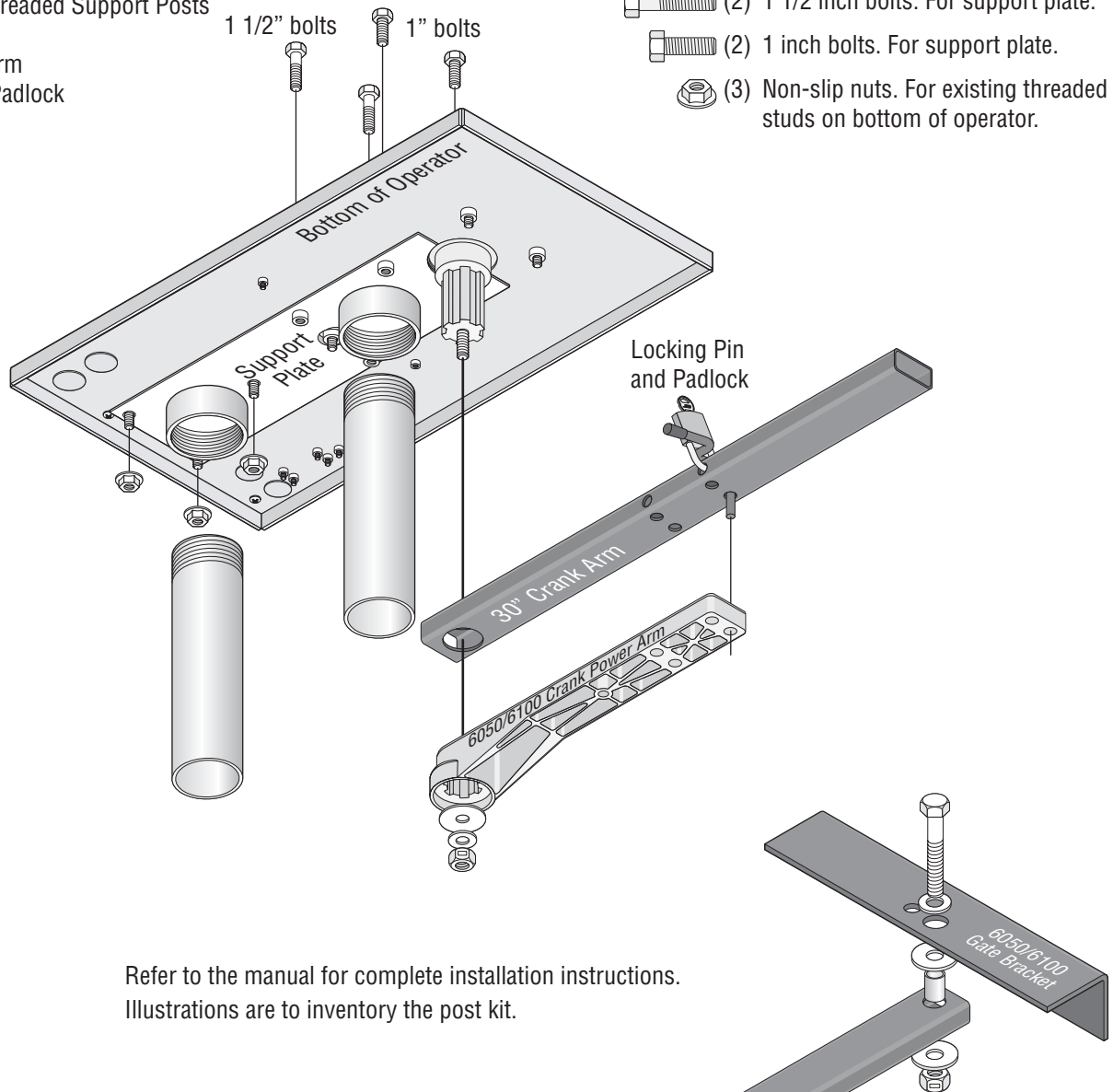
This kit is designed for the 6050/6100 model swing gate operators only. This kit bolts to the bottom of the operator and mounts directly into a poured concrete foundation.

Kit Includes:

- Support Plate
- (2) 2 1/4" O.D. Threaded Support Posts
- 30" Crank Arm
- 60" Connecting Arm
- Locking Pin and Padlock

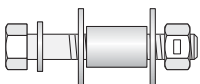
Hardware for Post Mount:

-  (2) 1 1/2 inch bolts. For support plate.
-  (2) 1 inch bolts. For support plate.
-  (3) Non-slip nuts. For existing threaded studs on bottom of operator.



Refer to the manual for complete installation instructions.
Illustrations are to inventory the post kit.

Hardware for Connecting Arm:



2 1/4 inch bolt, 3 washers, brass bushing and locknut.