

QUICKSTART "BASIC" GUIDELINES FOR STANDARD MODEL 6050/6100 - FOR GATES UP TO 10 FEET AND OPENING 90°

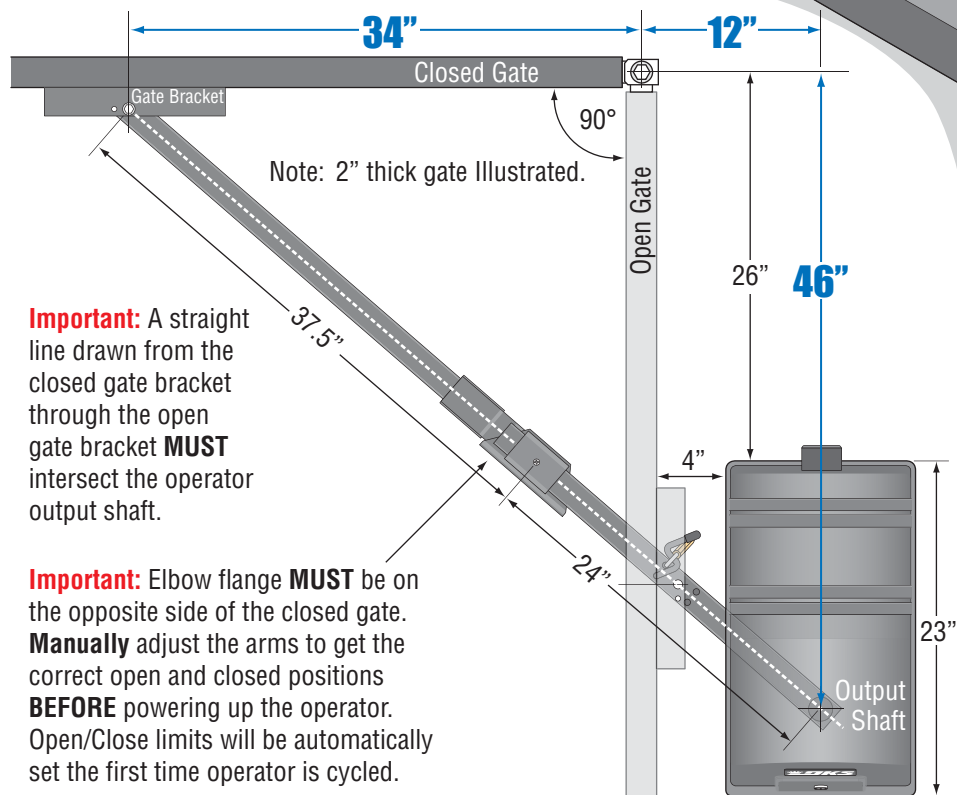


120 Glasgow Avenue
Inglewood, California 90301
U.S.A.

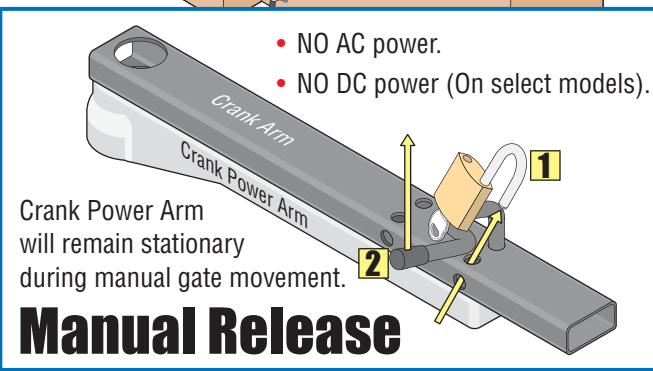
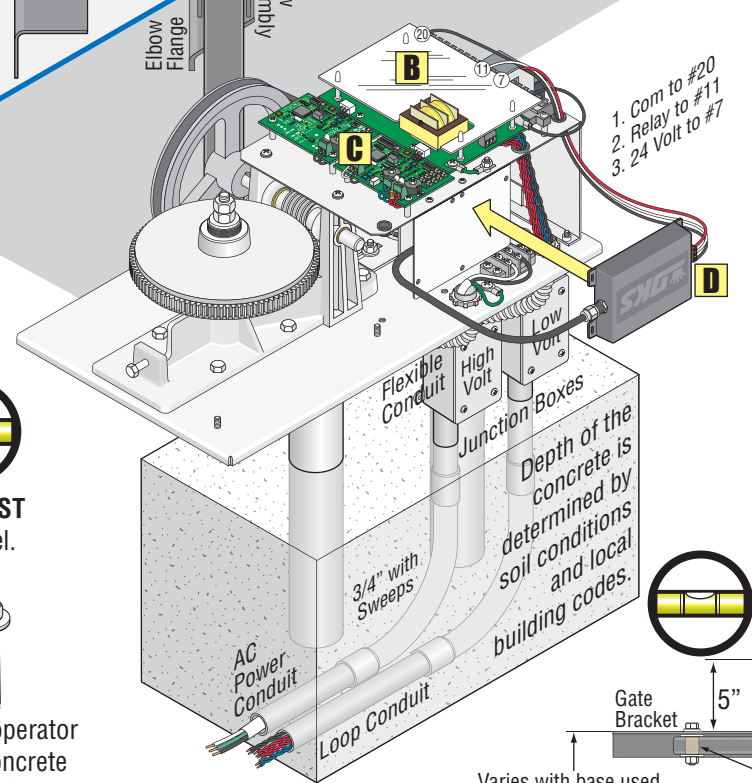
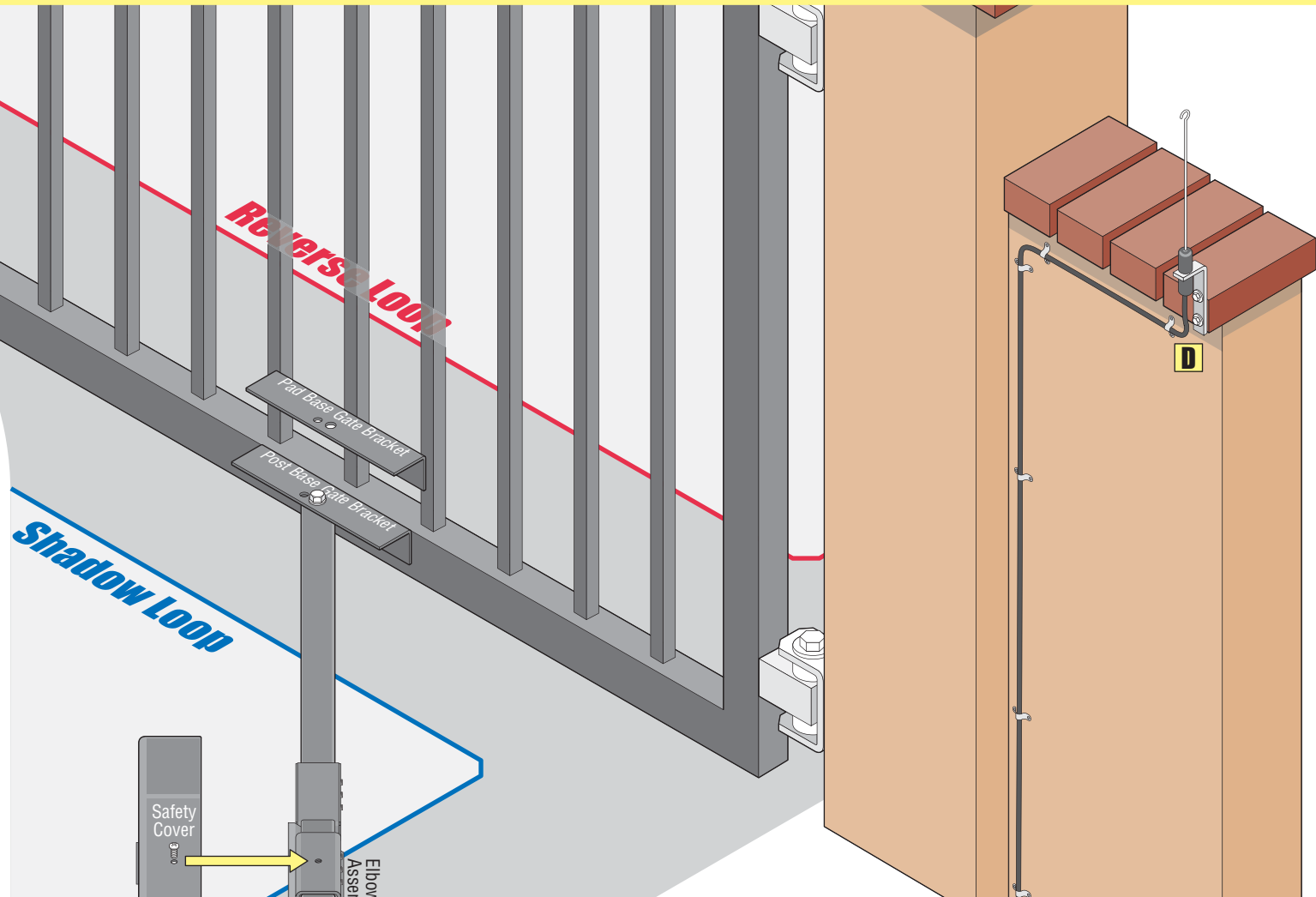
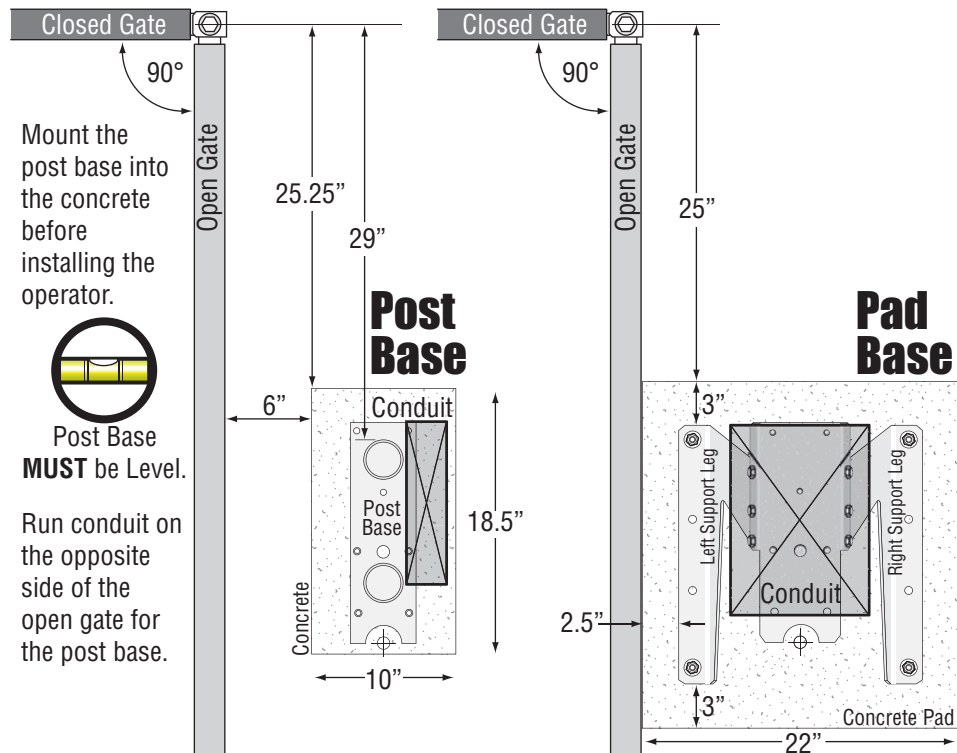
Models 6050/6100 is intended for installation only on swing gates used for vehicles.
Pedestrians must be supplied with a separate access opening.

For safety and installation instructions, please refer to the owner's manual.

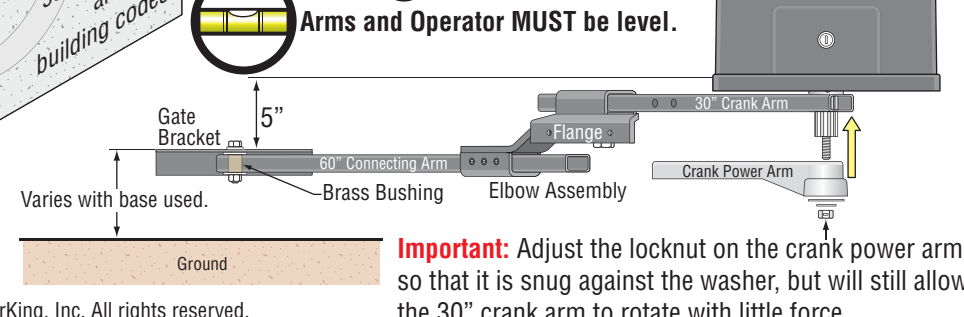
Operator Position



Concrete Position



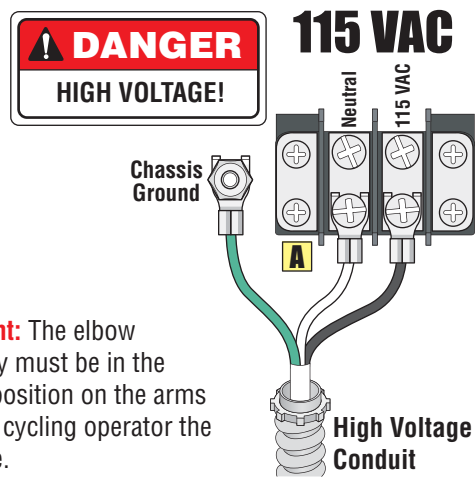
Arm Assembly and Gate Bracket Height



High Voltage Connection

GATE OPERATOR MUST BE PROPERLY GROUNDED!!

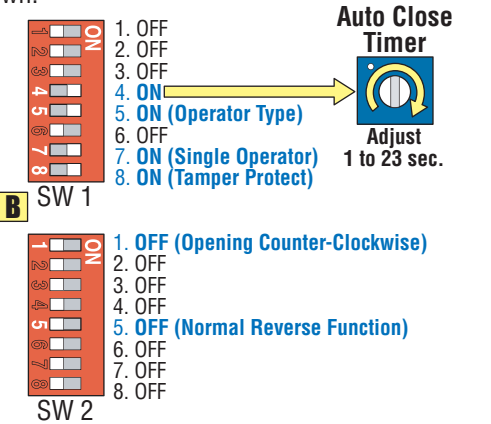
Tip: It is recommended that a surge suppressor be installed on the high voltage power lines.



Important: The elbow assembly must be in the correct position on the arms **BEFORE** cycling operator the first time.

DIP-Switch Settings

Using shadow loop and gate opening in direction shown.



Loop Detectors

C Not included - Refer to the Owner's manual and Loop Information Manual (available from www.dkaccess.com) for more information on loops and loop detectors.

Radio Receiver

D Not included - Refer to a specific Radio Receiver Manual (available from www.dkaccess.com) for more information on radio receivers and antenna installation.