

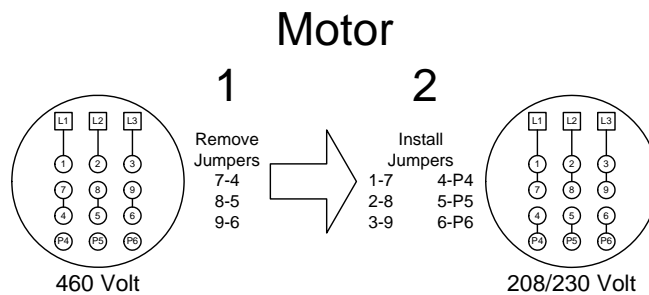


## Instructions to Convert 460 V Operators to 208/230 V

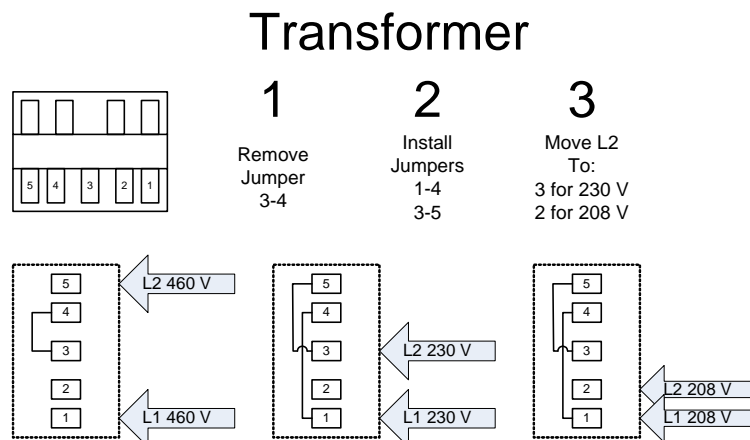
Use conversion kit P/N 9210-500 for 9210 operators.

Use conversion kit P/N 9310-500 for 9310 operators.

1. **Before starting, disconnect the gate operator from high voltage power.** You will be replacing and re-wiring high voltage components.
2. Remove the operator three-phase power switch and replace with the three-phase power switch (P/N 1601-142) in this kit.
3. Re-wire the motor (change the jumpers) for 208/230 volt operation.



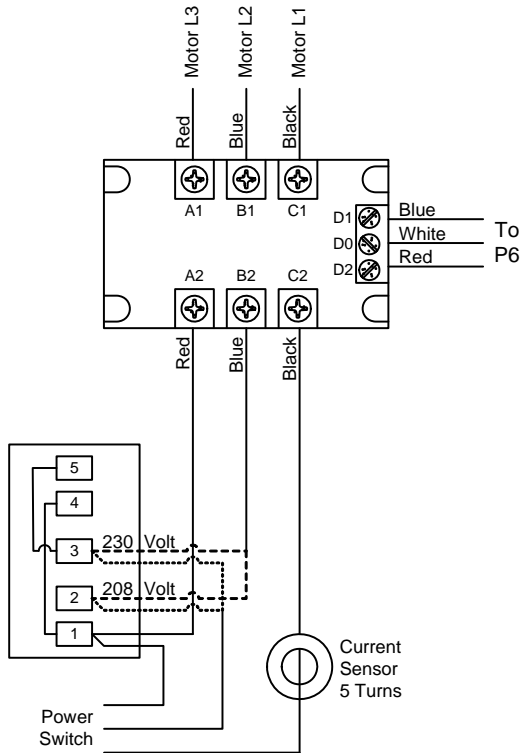
4. Rewire the transformer (change the jumpers) for 208/230 volt operation.



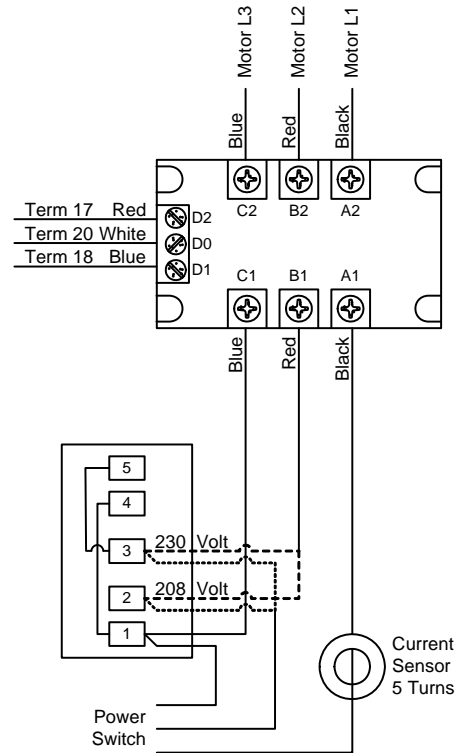
- Remove the solid-state relay and replace it with the solid-state relay (P/N 9200-933 for 9210 operator; P/N 9200-934 for 9310 operator) in this kit. Although these solid-state relays are similar in appearance, they ARE NOT interchangeable.

## Solid-State Relay

9210 Operator



9310 Operator



- Reduce the number of turns through the current sensor donut to 5 turns only.

