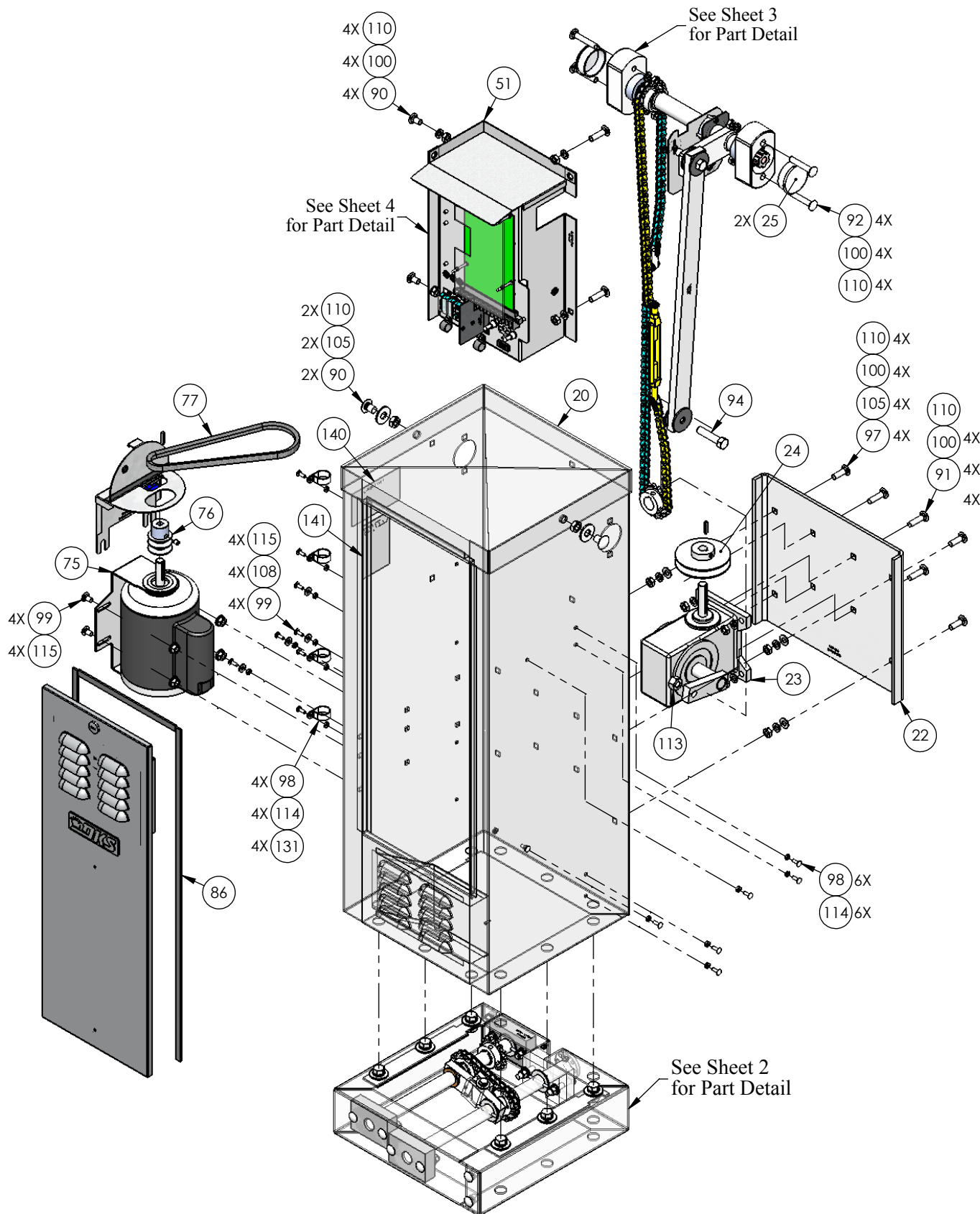


REVISIONS


REV	DESCRIPTION	DATE	APPR
G	Added Items 121,122,123,124,125,126,127, changed qty of item 12 from 4 to 6 and item 106 from 3 to 5	9/1/11	D.C.

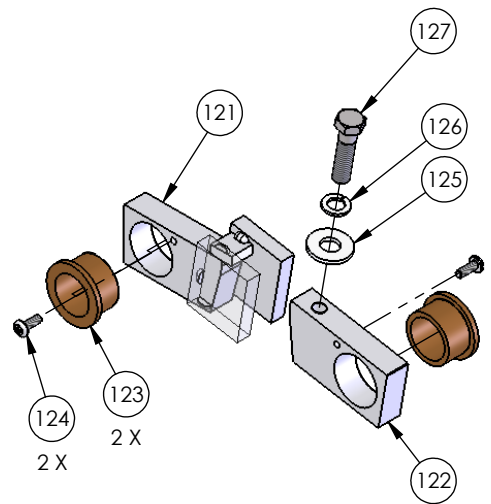
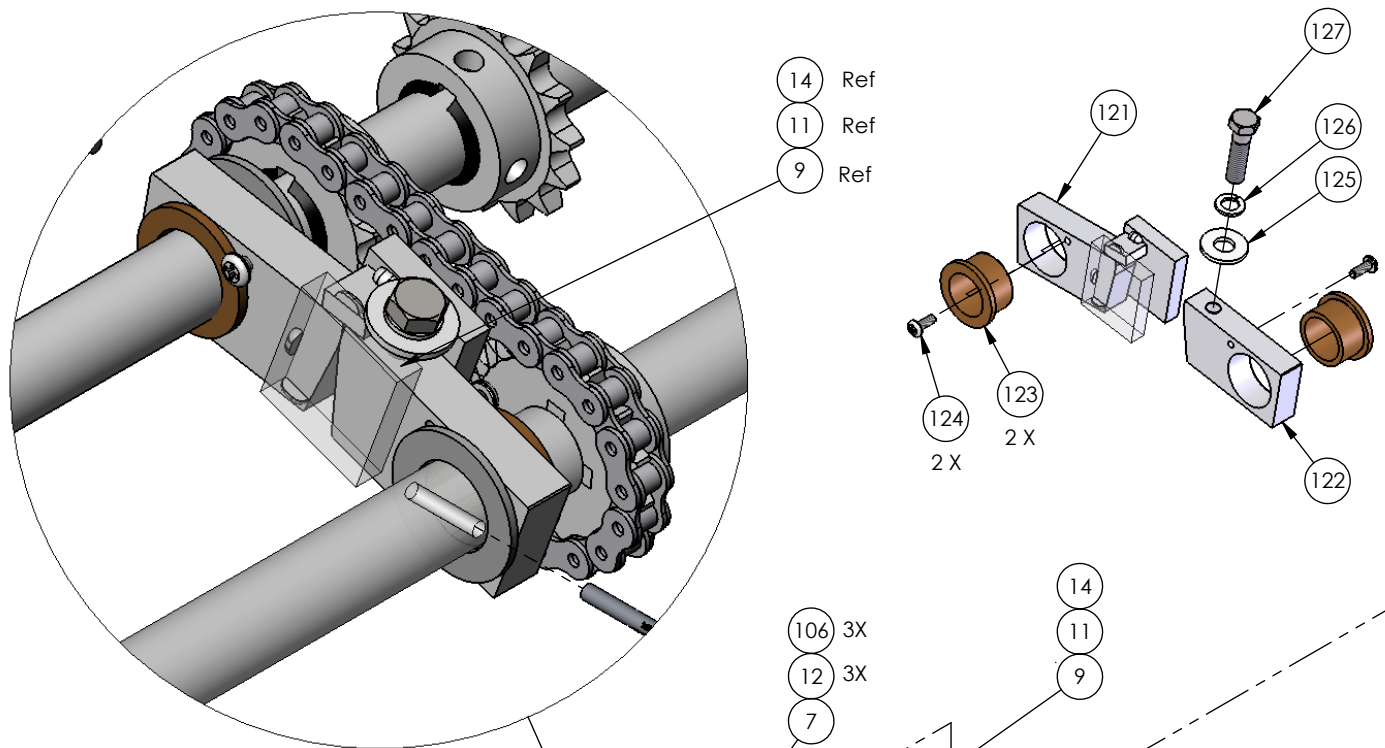


2. Items 150, 152, 153 & 160 Not Shown for Clarity.

1. See attached reference sheet for BOM;  
Reference Movex 1603-080 Rev D.

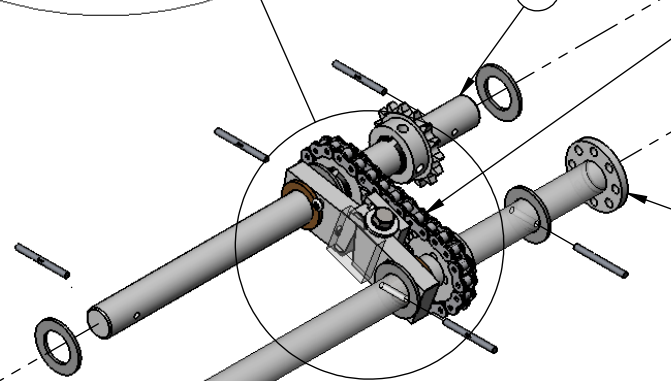
Notes: Unless Otherwise Specified.

<p><b>PROPRIETARY AND CONFIDENTIAL</b></p> <p>THE INFORMATION CONTAINED IN THIS DRAWING IS THE SOLE PROPERTY OF Door King. ANY REPRODUCTION IN PART OR AS A WHOLE WITHOUT THE WRITTEN PERMISSION OF Door King IS PROHIBITED.</p>	NAME	DATE	 <b>IPB-Model 1603-080,</b> <b>115V Parking Gate Opt, Spike</b>	REV	
	DRAWN	Sal		04/25/06	G
	CHECKED				
	COMMENTS:				
SIZE		DWG. NO.	Scale: None		
A		1603-880	SHEET 1 OF 7		



- 106 3X
- 12 3X
- 7

- 14
- 11
- 9

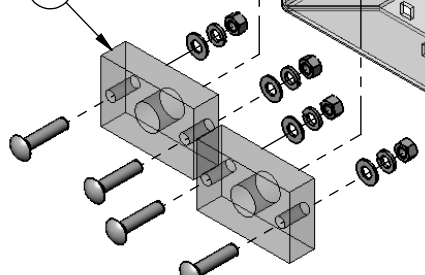


- 6
- 12 3X
- 106 3X

- 2X 112
- 13

- 110 6X
- 100 6X
- 105 6X
- 91 6X
- 4 3X

3

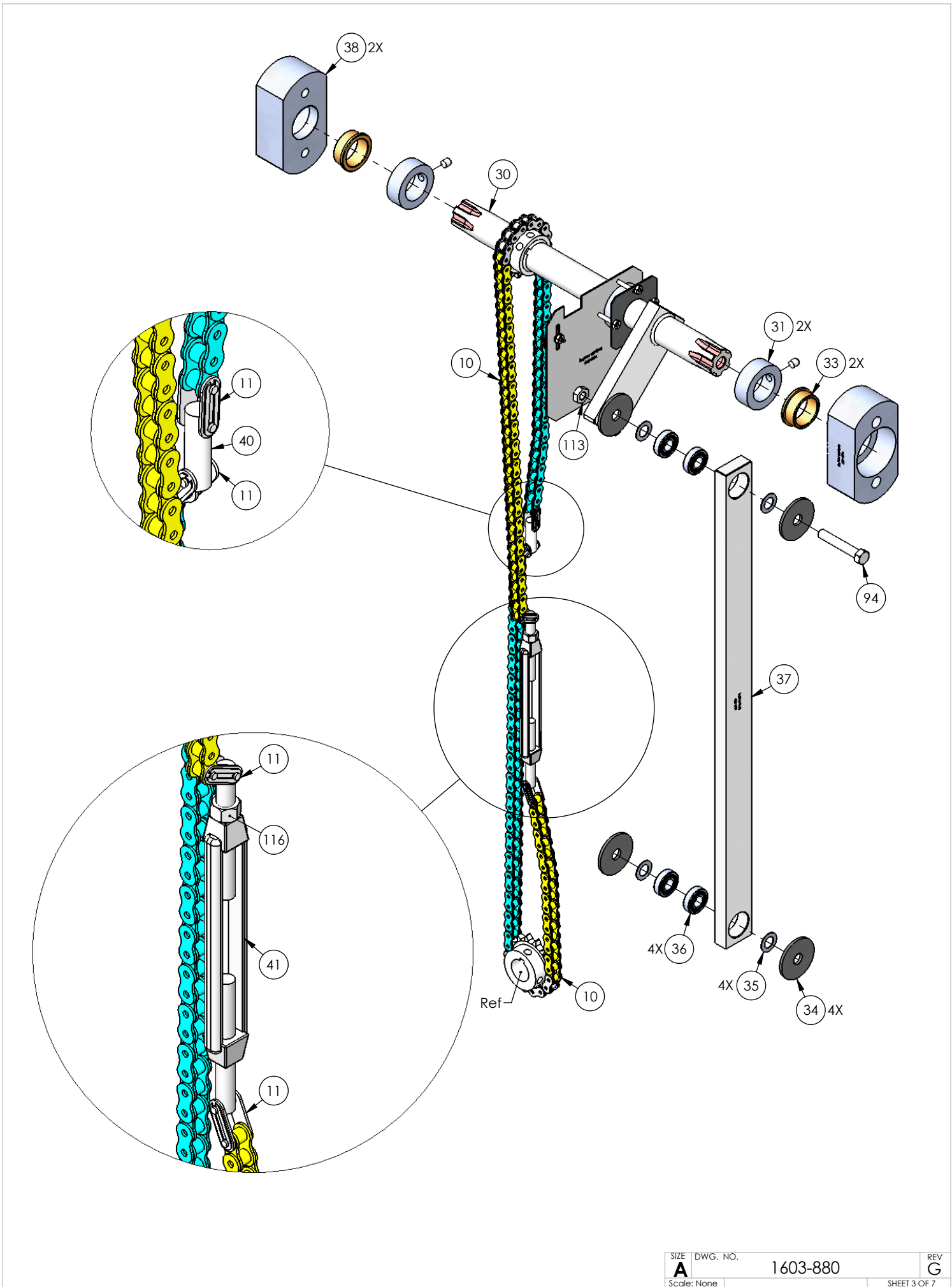


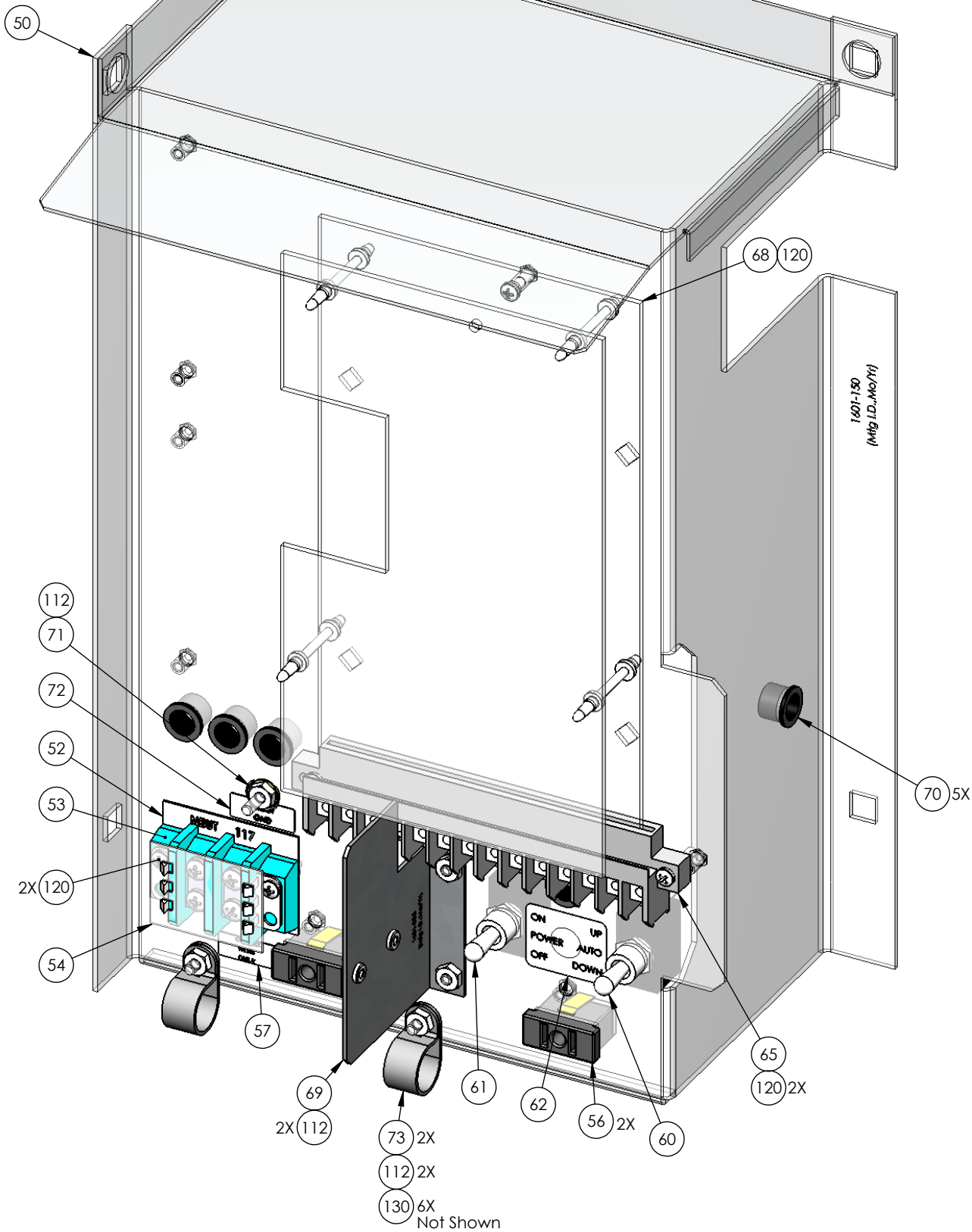
- 90 4X
- 100 4X
- 110 4X

- 16 2X
- 96 6X
- 102 6X
- 107 6X

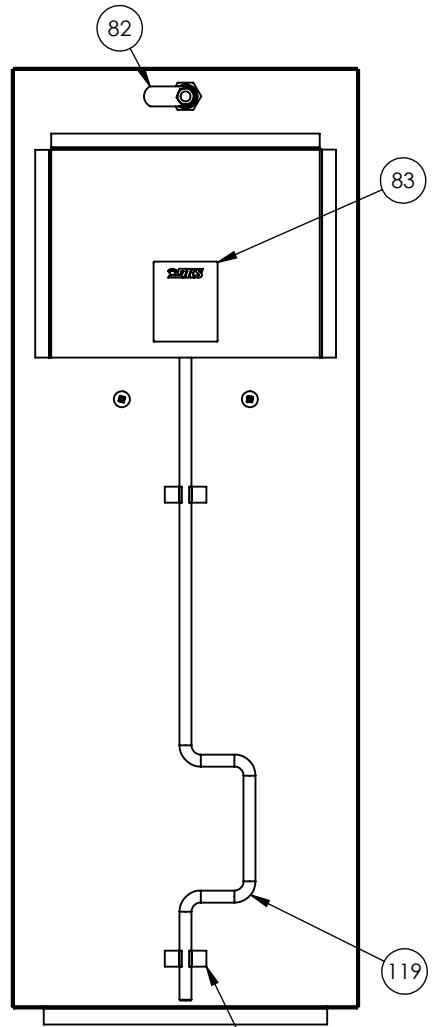
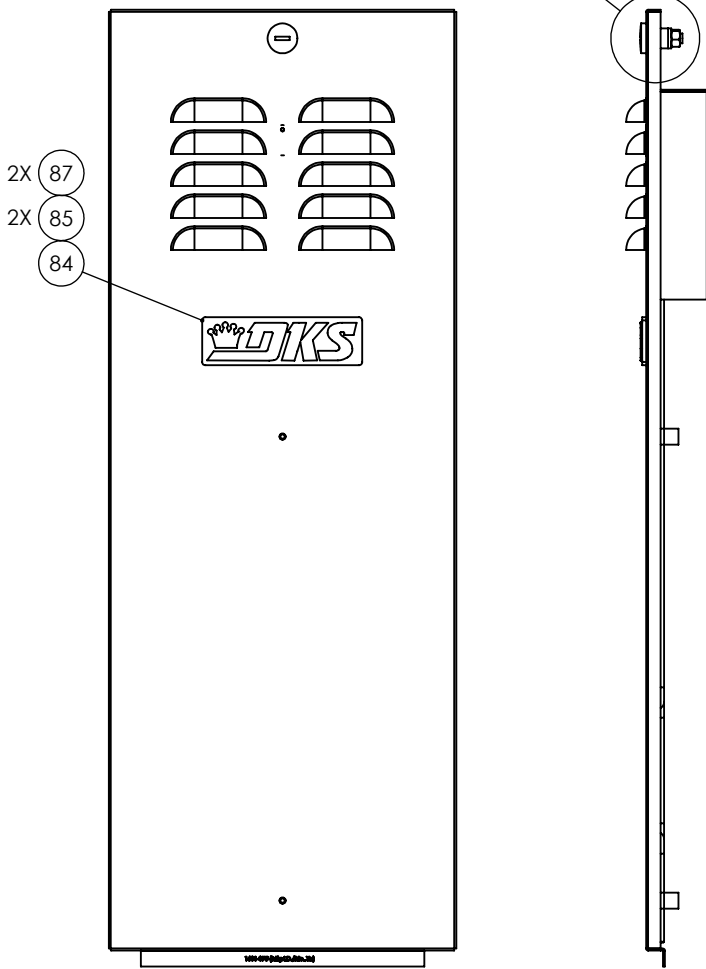
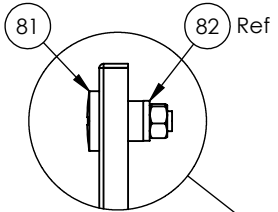
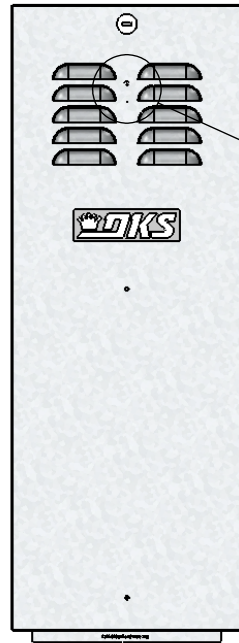
- 5 2X
- 92 2X
- 105 2X
- 100 2X
- 110 2X

2





1601-150  
(Mtg I.D., Mo/Yr)



Item	Part #	Qty	Description
1	1603-880	1 EA	Illustrated Parts Breakdown
2	1603-095	1 EA	Transmission Case Front Half
3	1603-094	1 EA	Transmission Case Back Half
4	1610-400	3 EA	Bearing Support Block
5	1610-401	2 EA	Bearing Support Block
6	1603-043	1 EA	Output Shaft Assy 1603
7	1603-047	1 EA	Transfer Shaft Assy 1603
9	1603-415	1 EA	Chain #40 15" 30 Links Length
10	1603-434	2.00 EA	Chain #40 34" 68 Links Length
11	2600-482	5 EA	Master Link #40 Chain
12	2600-807	6 EA	Spirol Pin 3/16D x2.0L Stainls
13	1603-093	1 EA	Cover Plate
14	2600-484	1 EA	Link #40 Chain Offset
16	1603-045	2 EA	Mounting Strip
20	1601-100	1 EA	Housing Barrier Arm 1601-1603
22	1601-215	1 EA	Mount Plate Gearbox
23	1601-027	1 EA	Gearbox 1601's HD
24	1601-018	1 EA	Pulley 4" OD 5/8" Bore
25	2600-882	2 EA	Hole Plug Plastic 2.25" Hole
30	1601-224	1 EA	Shaft Assembly 1603 Splined
31	2600-061	2 EA	Collar 2"OD x 1 1/4"ID x 5/8"L
33	1601-032	2 EA	Bushing 1 1/2OD x11/4ID x 5/8L
34	2620-131	4 EA	Washer 1 7/8"ODx1/2"ID 1/8 T
35	1601-185	4 EA	Washer Race .515"IDx.875"OD CH
36	1601-060	4 EA	Bearing-Sealed 1/2ID x 1 1/8OD
37	1601-029	1 EA	Connecting Link
38	1601-139	2 EA	Bearing Blk Die Cast 1601
39	1601-044	2 EA	Holder - Magnet
40	1603-060	1 EA	Chain Offset Linkpin 1603
41	1601-117	1 EA	Turnbuckle Assy
50	1601-150	1 EA	Mount Plate - PC Board Bottom
51	1601-152	1 EA	Mount Plate - PC Board Top
52	2600-410	1 EA	Marker Strip Silkscn Both Side
53	2600-414	1 EA	Terminal Block-2 Position
54	3129-002	1 EA	Terminal Block Cover 2 Positio
56	1200-028	2 EA	Outlet Snap-In Leviton 1306
57	2599-014	1 EA	Decal Copper Wire Only
60	1601-040	1 EA	Switch Toggle ON-OFF-ON MOMEN
61	1601-041	1 EA	Switch Toggle SPST 2POS
62	2599-012	1 EA	Decal 1601 Switch
65	1601-007	1 EA	Terminal 14 Pin
68	1601-010	1 EA	PCB Parking Gate
69	1601-055	1 EA	Divider - High/Low Voltage
70	2600-820	5 EA	Bushing 1/2
71	2600-439	1 EA	Washer Cup - Brass
72	2599-006	1 EA	Decal SUPPLY GND
73	2600-619	2 EA	Wire Clp-5/8" Concord 770-1209
75	1601-074	1 EA	Motor 1/2 H.P. Emerson 1601's
76	1603-002	1 EA	Pulley Double Parking Gate
77	1601-026	1 EA	Belt 26"
78	1603-030	1 EA	Manual Safety Interlock Assy
80	1601-075	1 EA	Door 1601's 1603's

Item	Part #	Qty	Description
81	4001-035	1 EA	Lock
82	1702-503	1 EA	Cam 1.1/4
83	2599-008	1 EA	Label Patent
84	2600-732	1 EA	Nameplate Plastic DKS Big
85	2802-040	2 EA	Washer Push on Clamp
86	1897-050	2 EA	Gasket Support Thick 1/16"
88	4001-018	6 FT	Weather Stripping 50' rolls
90	2615-667	10 EA	BoltCarr SS 3/8"x16x3/4"Paint
91	2615-674	10 EA	Bolt CarriageSS 3/8-16x1 3/4Wt
92	2615-673	6 EA	BoltCarr SS 3/8-16x2 1/4Paint
94	2615-184	2 EA	Bolt Hex Head 1/2-13x2 1/4 GR8
96	2615-181	6 EA	Bolt Hex Head 1/2-13 x 1 1/2
97	2615-669	4 EA	Bolt Carriage SS 3/8"x16x11/4"
98	2615-645	10 EA	Bolt Carr SS 10-32x5/8"Painted
99	2615-662	8 EA	BoltCarr SS 5/16"x18x5/8"Paint
100	2620-047	28 EA	Lockwasher 3/8"
102	2620-050	6 EA	Lockwasher 1/2"
105	2620-029	14 EA	Washer 3/8" USS
106	2620-225	5 EA	Washer 1.5"ODx1.00"IDx.050"T
107	2620-030	6 EA	Washer 1/2" USS
108	2620-019	4 EA	Washer 3/8" SAE
110	2620-405	30 EA	Nut Hex 3/8-16
112	2902-004	7 EA	Nut Nylon Lock 8-32
113	2620-320	2 EA	Nut Center Lock 1/2-13
114	2902-006	10 EA	Nut Nylon Lock 10-32
115	2620-411	8 EA	Nut Hex Flange Lock 5/16-18
116	2620-365	1 EA	Nut Hex10mm-1.5 Zinc Plated
117	2902-003	2 EA	Nut Nylon Lock 6-32
118	2600-214	2 EA	Spring Clip For Crank Handle
119	1603-001	1 EA	Crank Handle 1603
120	2616-003	5 EA	Screw Phillips Head 6-32x3/4SS
121	1603-615	1 EA	Shaft Support Slide Side
122	1603-610	1 EA	Shaft Support Bolt Side
123	2601-360	2 EA	Bushing Bronze 1" ID
124	2616-052	2 EA	Screw Phillips Head 10-32 x1/2
125	2620-029	1 EA	Washer 3/8" USS
126	2620-047	1 EA	Lockwasher 3/8"
127	2615-055	1 EA	Bolt Hex Head 3/8-16 x 1 1/2
130	1804-031	6 EA	Tie Wrap 4"
131	2600-639	4 EA	Wire Clamp-1"
140	2599-035	1 EA	Label 1601 Warning
141	2599-199	1 EA	Label Universal
150	1601-008	1 EA	Wire Set 1601/1602
152	2560-010	1 EA	Information Packet 1601
153	2600-749	2 EA	Wire Connector STA-KON RC6
160	1603-065	1 EA	Manual
165	2599-220	1 EA	Label Caution Remove Rod