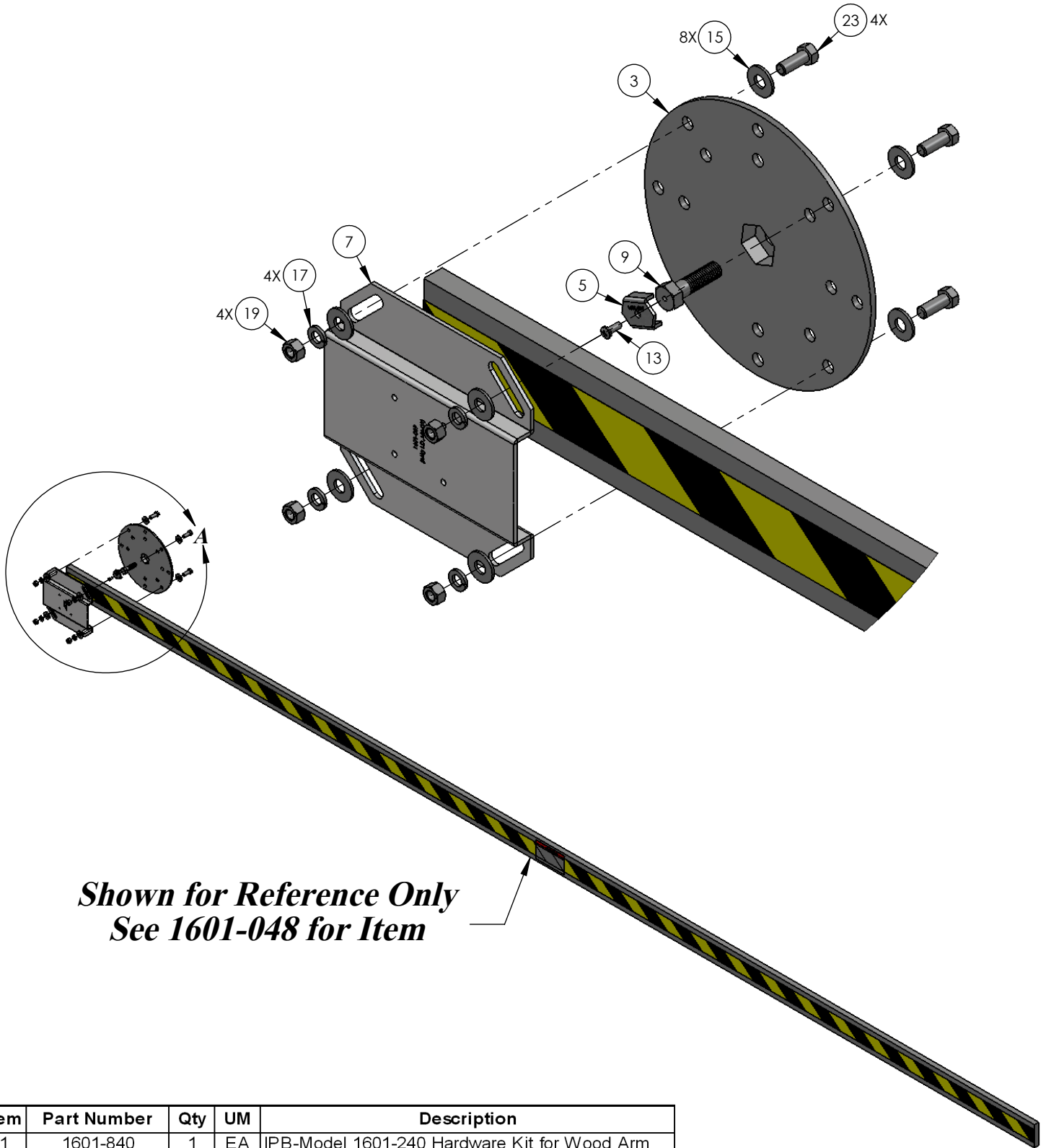


REVISIONS

REV	DESCRIPTION	DATE	APPR
C	Revised & Redrawn on SolidWorks.	Scf 10/29/08	D.C. 10/29/08



*Shown for Reference Only  
See 1601-048 for Item*

Item	Part Number	Qty	UM	Description
1	1601-840	1	EA	IPB-Model 1601-240 Hardware Kit for Wood Arm
3	1601-079	1	EA	Hub Die Cast Painted
5	1601-097	1	EA	Locking Plate Washer 1601
7	1601-069	1	EA	Mount Plate 1601 Arm
9	1601-165	1	EA	Bolt Hex Head 1/2-13 x 1 3/4 Tap
13	2616-052	1	EA	Screw Phillips Head 10-32 x 1/2
15	2620-029	8	EA	Washer 3/8 USS
17	2620-047	4	EA	Lockwasher 3/8
19	2620-405	4	EA	Nut Hex 3/8-16
23	2615-052	4	EA	Bolt Hex Head 3/8-16 x 1

**PROPRIETARY AND CONFIDENTIAL**  
 THE INFORMATION CONTAINED IN THIS DRAWING IS THE  
 SOLE PROPERTY OF Door King.  
 ANY REPRODUCTION IN PART OR AS A WHOLE WITHOUT  
 THE WRITTEN PERMISSION OF Door King IS PROHIBITED.



**Hardware Kit for Wood Arm  
 Model 1601-240**

SIZE **A** DWG 1601-840 REV **C**  
 SCALE: 1:48 SHEET 1 of 1