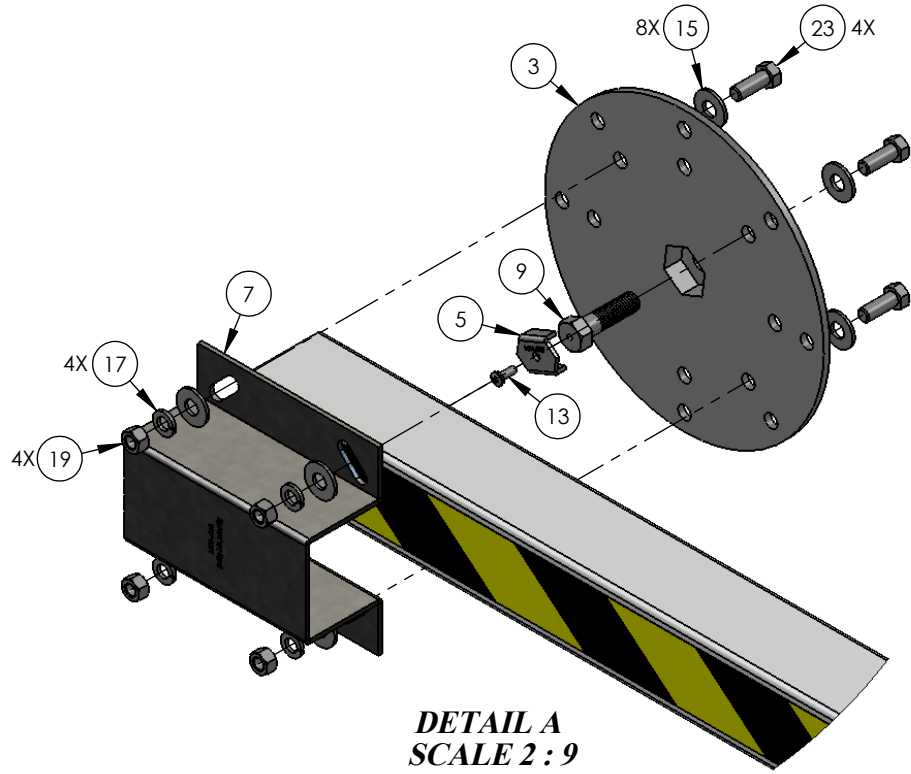


REVISIONS

| REV | DESCRIPTION | DATE | APPR |
|-----|----------------------------------|-----------------|------------------|
| B | Revised & Redrawn on SolidWorks. | Sal 11/03/08 | D.C. 11/03/08 |



DETAIL A
SCALE 2 : 9

Shown for Reference Only
See 1601-071 for Item

| Item | Part Number | Qty | UM | Description |
|------|-------------|-----|----|---|
| 1 | 1601-841 | 1 | EA | IPB-Model 1601-241 Hardware Kit for Plastic Arm |
| 3 | 1601-079 | 1 | EA | Hub Die Cast Painted |
| 5 | 1601-097 | 1 | EA | Locking Plate Washer 1601 |
| 7 | 1601-068 | 1 | EA | Bracket Plastic Arm 1601 |
| 9 | 1601-165 | 1 | EA | Bolt Hex Head 1/2-13 x 1 3/4 Tap |
| 13 | 2616-052 | 1 | EA | Screw Phillips Head 10-32 x 1/2 |
| 15 | 2620-029 | 8 | EA | Washer 3/8 USS |
| 17 | 2620-047 | 4 | EA | Lockwasher 3/8 |
| 19 | 2620-405 | 4 | EA | Nut Hex 3/8-16 |
| 23 | 2615-052 | 4 | EA | Bolt Hex Head 3/8-16 x 1 |

PROPRIETARY AND CONFIDENTIAL
THE INFORMATION CONTAINED IN THIS DRAWING IS THE
SOLE PROPERTY OF Door King.
ANY REPRODUCTION IN PART OR AS A WHOLE WITHOUT
THE WRITTEN PERMISSION OF Door King IS PROHIBITED.



Hardware Kit for Plastic Arm
Model 1601-241

| | | |
|------------------|-----------------|-----------------|
| SIZE A | DWG 1601-841 | REV B |
| SCALE: 1:48 | SHEET 1 of 1 | |