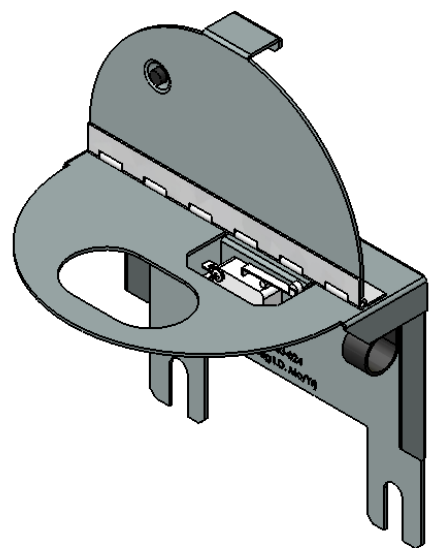
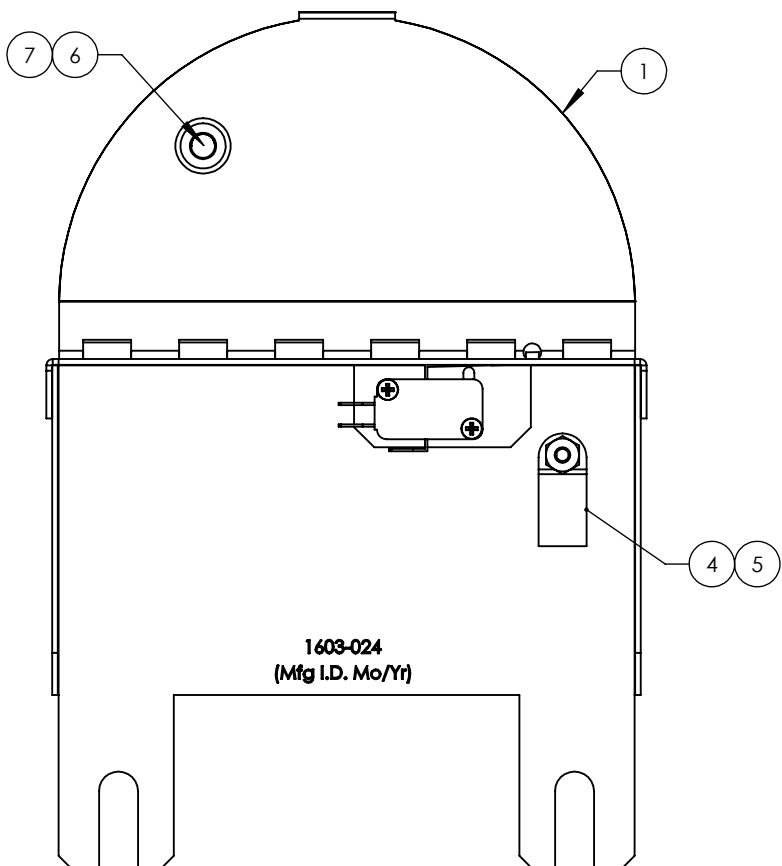
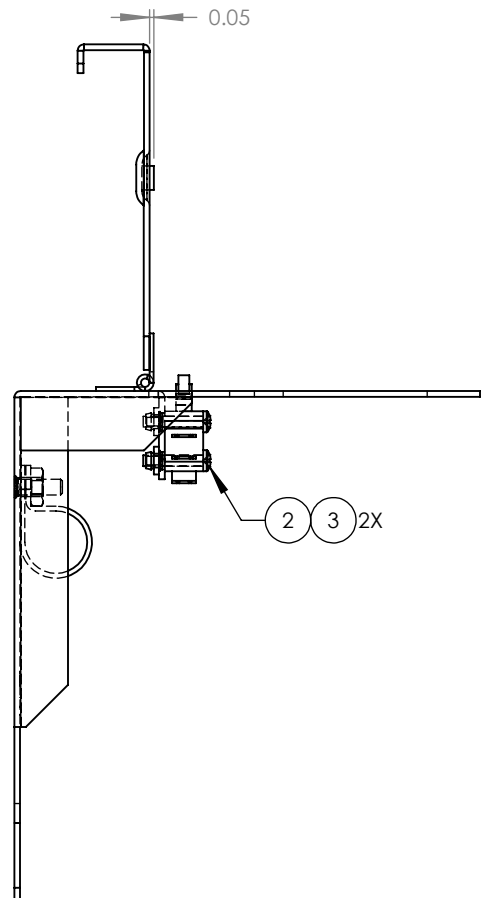


REVISIONS			
REV	DESCRIPTION	DATE	APPROVED
A	Production Release	05/03/06	P.K.
B	Extensively Revised See Rev A for Was Condition	06/02/06	P.K.
C	Changed Part Number was 6500-024 for Part, 6500-030 for Assembly.	10/9/2007	D.C.
D	Items 4 & 5 Was: 2620-044 & 2620-401.	Sal 11/24/08	D.C. 11/24/08



Item	Part Number	Qty	UM	Description
1	1603-024	1	EA	Bracket Safety Interlock
2	1804-024	1	EA	Switch Micro No NC C
3	2616-103	2	EA	Screw Pan Head 4-40 5/8"
4	2600-619	1	EA	Wire Clip-5/8" Concord 770-1209
5	2902-004	1	EA	Nut Nylon Lock 8-32
6	2600-369	1	EA	Magnet.375d x.125"th 35DNE2408
7	2600-899	0.5	EA	Epoxy Devcon 14240
8	1601-243	1	EA	Wire Set Interlock

PROPRIETARY AND CONFIDENTIAL
 THE INFORMATION CONTAINED IN THIS DRAWING IS THE SOLE PROPERTY OF DOOR KING SYSTEM. ANY REPRODUCTION IN PART OR AS A WHOLE WITHOUT THE WRITTEN PERMISSION OF DOOR KING SYSTEM IS PROHIBITED.

UNLESS OTHERWISE SPECIFIED:		NAME	DATE	 TITLE: Assy- Manual Safety Intlk, Barrier Arm SIZE: DWG. NO. 1603-030 SCALE: 1:5
DIMENSIONS ARE IN INCHES		DRAWN	Sal Briones	
TOLERANCES FRACTIONAL		CHECKED		
ANGULAR: MINUS		ENG APPR.		
BEND ±		MFG APPR.		
INTERPRET GEOMETRIC TOLERANCING PER:		Q.A.		
MATERIAL:		COMMENTS:		
FINISH:				
NEXT ASSY	USED ON			
APPLICATION		DO NOT SCALE DRAWING		

Notes: Unless Otherwise Specified.