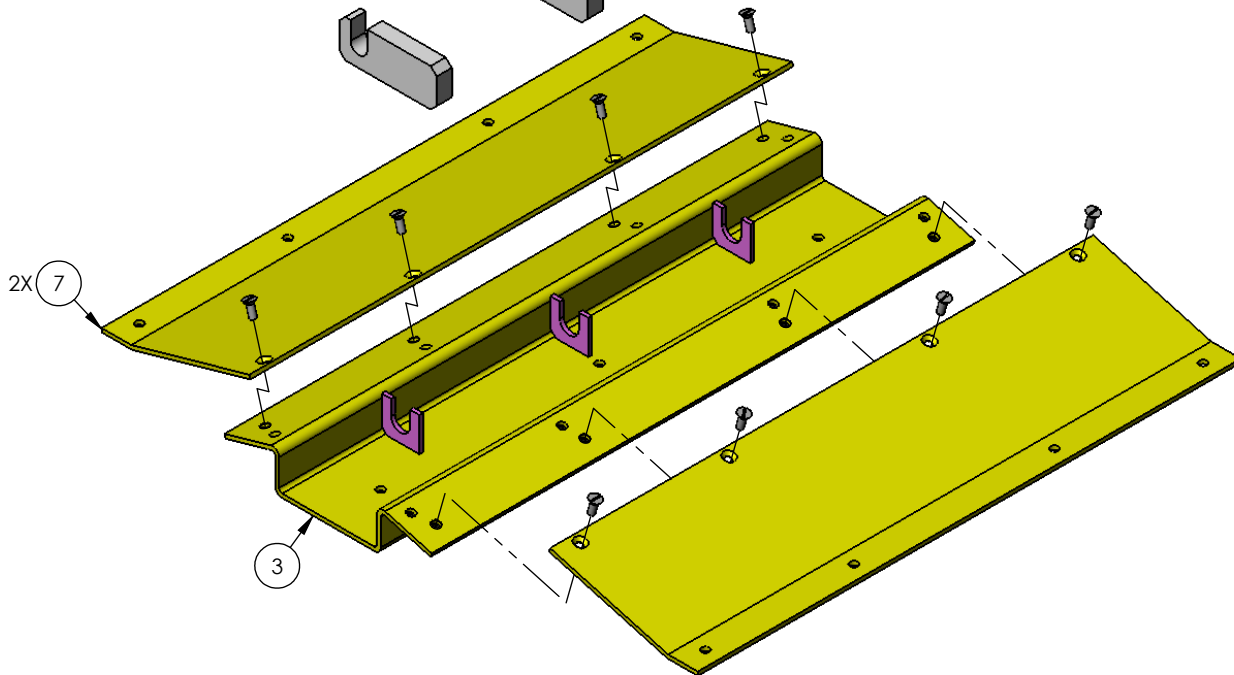
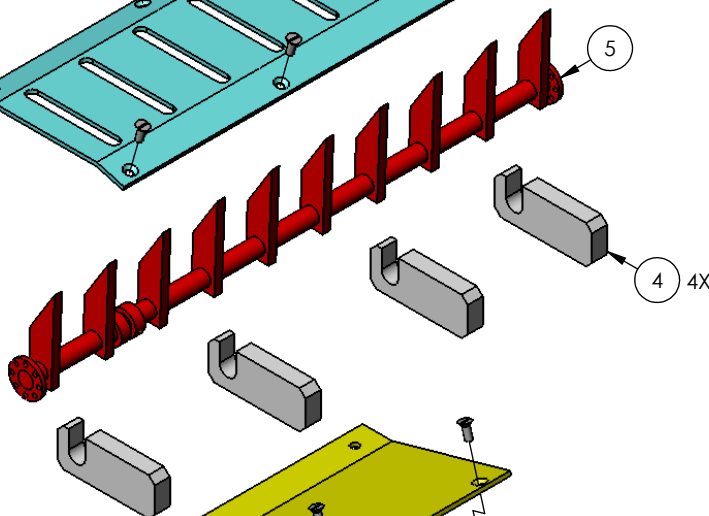
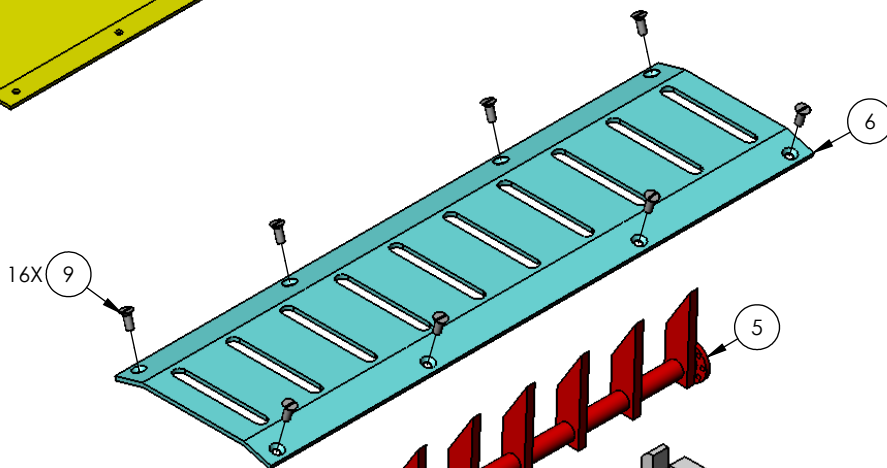
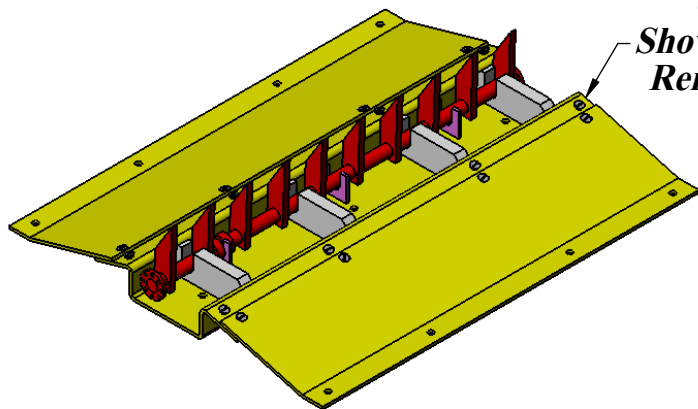



REVISIONS

EO	REV	DESCRIPTION	DATE	APPROVED
--	C	Item 4 Qty 4 Was: 3.	Sal 11/24/08	D.C. 11/24/08

**Collapse State  
Shown without Item 6  
Removed for Clarity**



2. Items 10-12 Not Shown for Clarity.  
1. See attached reference sheet for BOM;  
Reference Movex 1603-073 Rev C.  
Notes: Unless Otherwise Specified.

<p><b>PROPRIETARY AND CONFIDENTIAL</b></p> <p>THE INFORMATION CONTAINED IN THIS DRAWING IS THE SOLE PROPERTY OF Door King. ANY REPRODUCTION IN PART OR AS A WHOLE WITHOUT THE WRITTEN PERMISSION OF Door King IS PROHIBITED.</p>	NAME	DATE	 <b>IPB-Model 1603-073, Parking Spike Surface Mount 3ft</b> SIZE DWG. NO. <b>1603-873</b> REV <b>C</b> Scale: None SHEET 1 OF 2	
	DRAWN	Sal		08/18/08
	CHECKED			
	COMMENTS:			

IPB 1603-873 Rev C  
(Model and Movex No. 1603-073 Rev C)

<b>Item</b>	<b>Part Number</b>	<b>Qty</b>	<b>UM</b>	<b>Description</b>	<b>List</b>
1	1603-873	1	EA	IPB-Model 1603 Parking Spike Surface Mount 3 ft C	1.00
3	1603-110	1	EA	Short Channel Surface 1603	720.00
4	1603-025	4	EA	Bearing Support Block	18.00
5	1603-017	1	EA	Spike Set 30" 1603	200.00
6	1603-111	1	EA	Spike Cover Short Surf 1603	320.00
7	1603-115	2	EA	Ramp Short 1603	198.00
9	2615-435	16	EA	Bolt Flat Hd Hex 3/8-16 x 1 SS	8.00
10	2615-004	4	EA	Bolt Hex Head 1/4-20 x 1 SS	2.00
11	2620-045	4	EA	Washer Split Lock 1/4 SS	.50
12	2620-404	4	EA	Nut Hex 1/4-20 SS	1.10