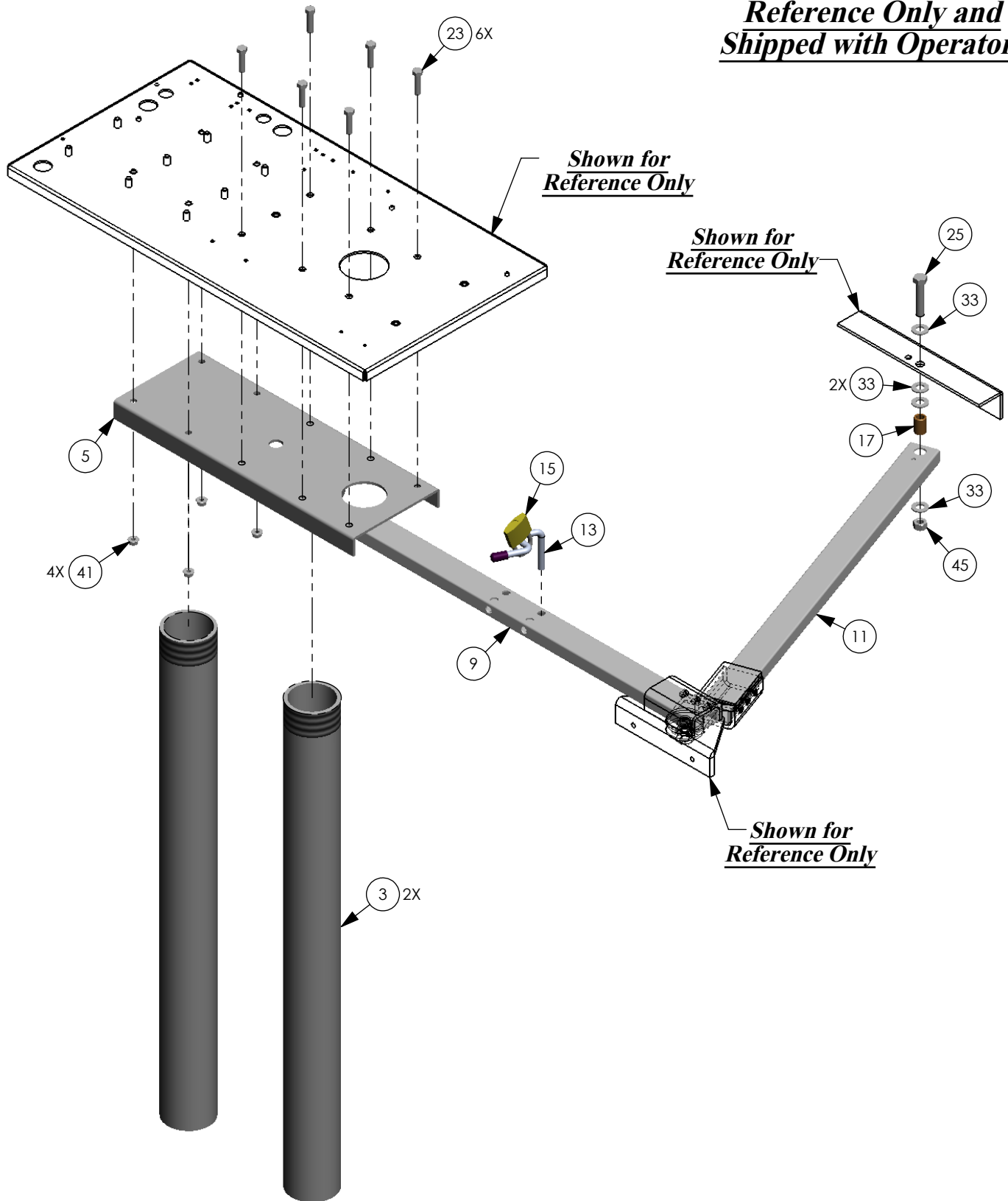



EO	REV	DESCRIPTION	Drawn	APPR
---	D	Revised & Redrawn on SolidWorks: Added IPB; Items 13 & 25 Was: 2600-168 & 2615-083.	Sal 07/15/08	D.C. 07/16/08

***Shown for  
Reference Only and  
Shipped with Operators***



1. See attached reference sheet for BOM;  
Reference Movex 2600-263 Rev D.

Notes: Unless Otherwise Specified.

<b>PROPRIETARY AND CONFIDENTIAL</b>		NAME	DATE	
THE INFORMATION CONTAINED IN THIS DRAWING IS THE SOLE PROPERTY OF Door King. ANY REPRODUCTION IN PART OR AS A WHOLE WITHOUT THE WRITTEN PERMISSION OF Door King IS PROHIBITED.		Sal	07/15/08	
DRAWN		COMMENTS:		IPB-Post Mount, 2600-263 6300 Swing Gate Operator
CHECKED				
SIZE	DWG. NO.	REV		
A	6300-863	D		
Scale: None			SHEET 1 OF 2	

Item	Part Number	Qty	UM	Description	REV
1	6300-863	1	EA	IPB-Post Mount 6300 Swing Gate Operator	D
3	2600-261	2	EA	Pipe Legs 630 3.5"OD x36"	
5	2600-744	1	EA	Base Pipe Mounting Model 630	
9	2600-716	1	EA	Crank Arm Model 610 605 Blk	
11	2600-714	1	EA	Connecting Rod 1" x 2" x 60"	
13	2600-179	1	EA	Release Handle 6050,6100,6300	
15	2600-767	1	EA	Lock Padlock Brass B745C	
17	2600-054	1	EA	Spacer 3/4OD x 1/2ID x1 1/8L	
23	2615-055	6	EA	Bolt Hex Head 3/8-16 x 1 1/2	
25	2615-084	1	EA	Bolt Hex Head 1/2-13 x 2 1/2	
33	2620-021	4	EA	Washer 1/2 " SAE	
41	2620-411	4	EA	Nut Hex Flange Lock 5/16-18	
45	2620-320	1	EA	Nut Center Lock 1/2-13	