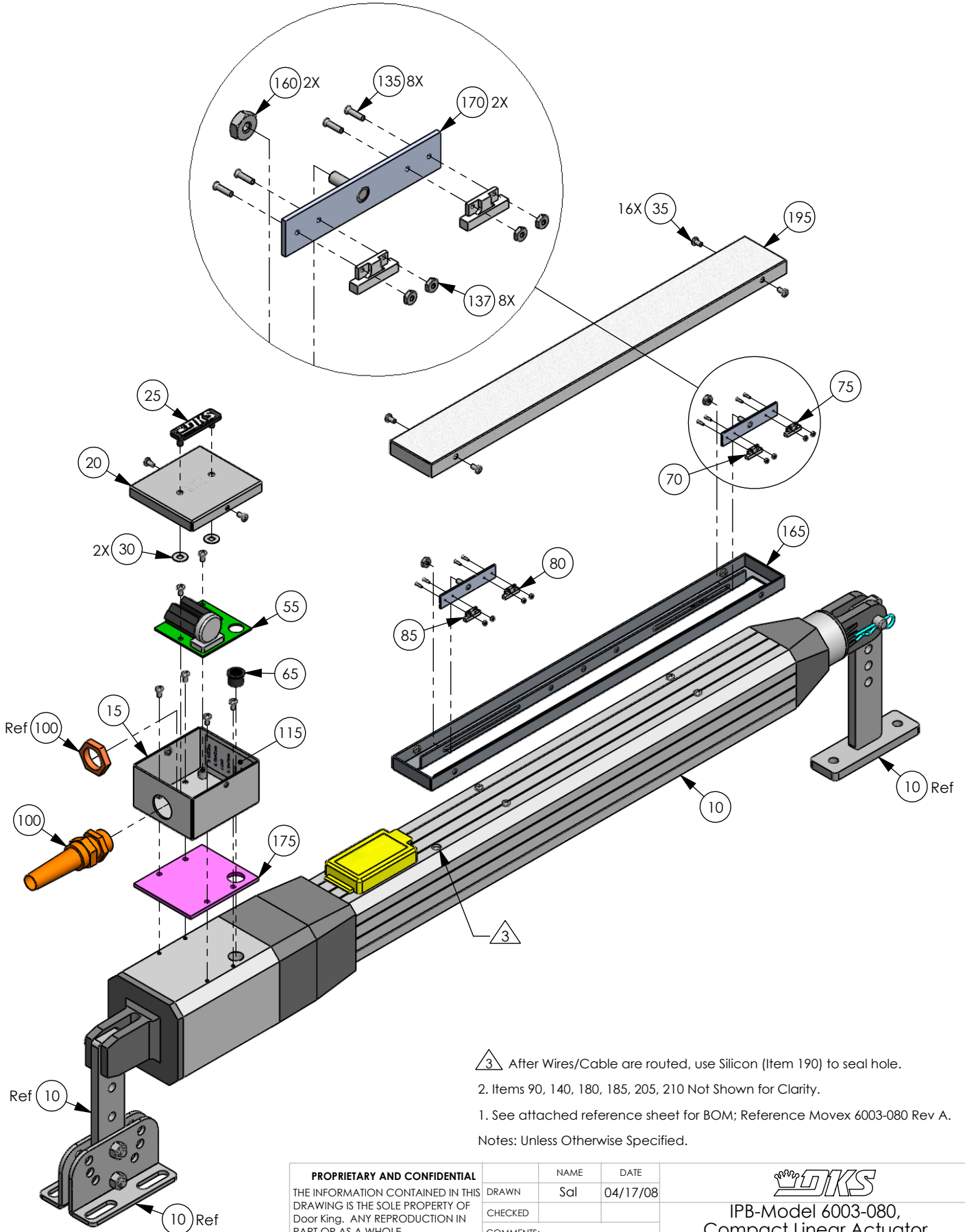



REVISIONS

EO	REV	DESCRIPTION	Drawn	APPR
--	A	Production Release	Sal 06/12/08	D.C. 06/12/08



- △ After Wires/Cable are routed, use Silicon (Item 190) to seal hole.  
 2. Items 90, 140, 180, 185, 205, 210 Not Shown for Clarity.  
 1. See attached reference sheet for BOM; Reference Movex 6003-080 Rev A.  
 Notes: Unless Otherwise Specified.

<p><b>PROPRIETARY AND CONFIDENTIAL</b>                  THE INFORMATION CONTAINED IN THIS DRAWING IS THE SOLE PROPERTY OF Door King. ANY REPRODUCTION IN PART OR AS A WHOLE WITHOUT THE WRITTEN PERMISSION OF Door King IS PROHIBITED.</p>	DRAWN	NAME	DATE	 <b>IPB-Model 6003-080,                  Compact Linear Actuator</b> SIZE <b>A</b> DWG. NO. <b>6003-880</b> REV. <b>A</b> Scale: None SHEET 1 OF 2
	CHECKED	Sal	04/17/08	
	COMMENTS:			

IPB 6003-880 Rev A  
 (Model and Movex No. 6003-080 Rev A)

Item	Part Number	QTY	UM	Description	List
1	6003-880	1	EA	IPB 6003-080 Compact Linear Actuator rev A	1.00
10	6003-010	1	EA	Actuator Linear Compact 24VDC	700.00
15	6010-102	1	EA	Box Wiring 6002 DC Actuator	26.00
20	6010-103	1	EA	Box Cover 6002 DC Actuator	12.00
25	2600-734	2	EA	Nameplate Plastic DKS Small	4.00
30	2802-040	2	EA	Washer Push on Clamp	.40
35	1804-016	16	EA	Screw Truss Head 6-32 x 3/16"	.24
55	1496-010	1	EA	PCB Hash Filter DC Operators	52.00
65	2600-820	1	EA	Bushing 1/2	1.12
70	1601-251	1	EA	Sensor Magnetic Brown Leads	4.80
75	1601-254	1	EA	Sensor Magnetic Wht/Yel Leads	4.80
80	1601-257	1	EA	Sensor Magnetic Wht/Vio Leads	4.80
85	1601-258	1	EA	Sensor Magnetic Wht/Gry Leads	4.80
90	0601-120	4	FT	Wire Control Cable ORCF2007	12.00
100	6010-015	1	EA	Strain Relief Liquid Tight	8.00
115	2599-612	1	EA	Label Model 6001/6002 Wiring	2.50
135	2620-399	8	EA	Nut Hex 00-90 Brass Zinc Plt	.20
137	2616-031	8	EA	Screw Flat Head #0-90x1/4 Slot	2.00
140	1804-031	5	EA	Tie Wrap 4"	.08
160	2902-003	2	EA	Nut Nylon Lock 6-32	.10
165	6002-105	1	EA	Box Limit Actuator 6003	36.00
170	2600-562	2	EA	Magnet Plate Limit 6010,6020	12.00
175	6010-073	1	EA	Gasket Wiring Cover	3.00
180	2600-368	2	EA	Magnet .25"dx.125"th 30DNE1608	1.20
185	9402-053	18	IN	Tubing Flex/slit 1/4OD	3.00
190	2601-167	0.05	EA	Sealant Silicon Cartridge	8.00
195	6002-110	1	EA	Cover Limit Actuator 6003	34.00
205	6003-065	1	EA	Manual Installation	2.00
210	6003-066	1	EA	Manual Install Quick Start	2.00