

QUICKSTART "BASIC" INSTRUCTIONS FOR 1812 PLUS and ACCESS PLUS

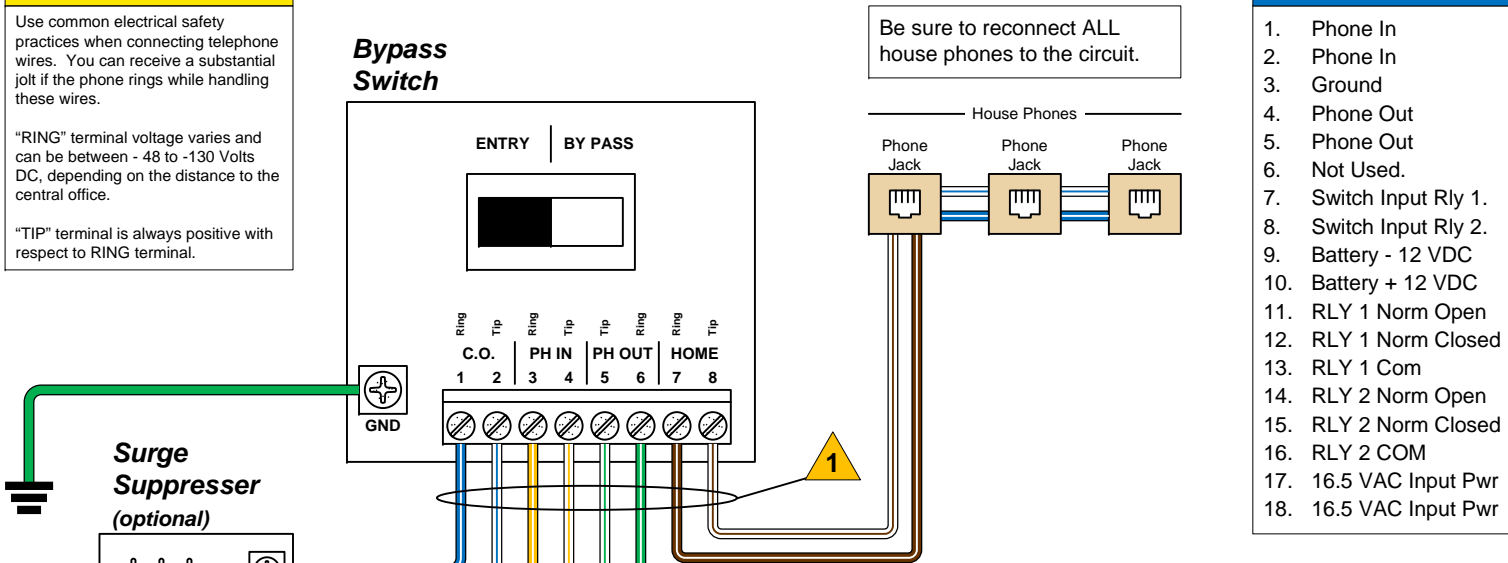


! CAUTION

Use common electrical safety practices when connecting telephone wires. You can receive a substantial jolt if the phone rings while handling these wires.

"RING" terminal voltage varies and can be between - 48 to -130 Volts DC, depending on the distance to the central office.

"TIP" terminal is always positive with respect to RING terminal.



TERMINALS

1. Phone In
2. Phone In
3. Ground
4. Phone Out
5. Phone Out
6. Not Used.
7. Switch Input Rly 1.
8. Switch Input Rly 2.
9. Battery - 12 VDC
10. Battery + 12 VDC
11. RLY 1 Norm Open
12. RLY 1 Norm Closed
13. RLY 1 Com
14. RLY 2 Norm Open
15. RLY 2 Norm Closed
16. RLY 2 COM
17. 16.5 VAC Input Pwr
18. 16.5 VAC Input Pwr

INSTALLATION INSTRUCTIONS / MANUAL

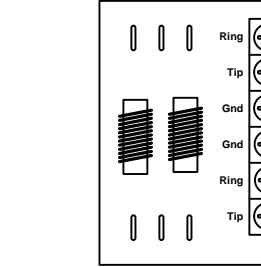
This "Quickstart" guideline is designed for installing a single 1812 in a typical single family home application using the factory default settings programmed in the 1812. Complete installation instructions and programming manual is available for free from our tech support website. **Please visit www.dkaccess.com/english/telephone_entry.html.**

PROGRAMMING

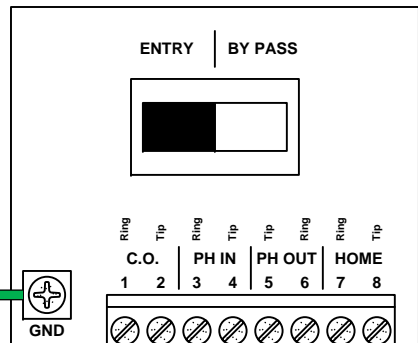
The 1812 has been programmed at the factory with many of the programming parameters (default setting) set for a typical residential application with a single 1812. **However, you must program a Master Code before putting the 1812 into service.**

If you are using more than a single 1812 in the system, or if you are using any of the advanced features of the 1812, such as Time Zones, Do-Not-Disturb Schedules, Call Forwarding, Holiday Schedules, Hold Open Schedules, Directory Code Dial-Out Phone Numbers, Temporary Access Codes, etc., you will need to download the complete installation and programming manual from our tech support website.

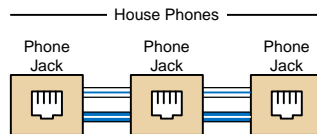
Surge Suppressor (optional)



Bypass Switch



Be sure to reconnect ALL house phones to the circuit.



5

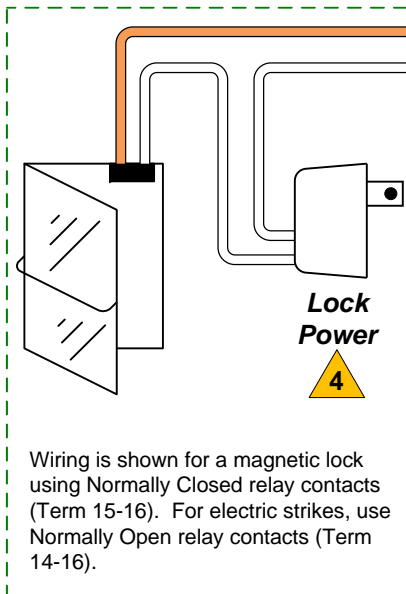
3



Central Office (C.O.) Network Interface Device (also called a "demarcation" point)

If surge suppressor is not used, connect wires directly to bypass switch.

Relay 1 To Gate Operator OPEN terminals.



Lock Power

4

Power Transformer 16.5 VAC, 20 VA

2

- 1 Typical wiring using Cat5e or Cat 6 cable. Recommend Cat5e Gel Filled (flooded) UV Resistant Direct Burial cable run in conduit..
- 2 Use minimum 18 AWG wire. Power with 16.5 VAC Transformer only. DO NOT power the 1812 from a 24 Volt source, such as a gate operator low voltage supply circuit.
- 3 Surge suppressor ground wire should be 3-ft or less in length.
- 4 DO NOT power magnetic locks or door strikes from the 1812 power transformer. These devices MUST be powered from a separate source.
- 5 If alarm is present (Typically an RJ31x Jack), interface BEFORE surge suppressor and/or bypass switch.

Master Code LED

Blinking LED - power is applied to the 1812 and the processor is working.

Steady LED - system is in Master Code programming mode. (Reverts to blinking if master code is not entered within 10-seconds)

1 - Master Code

1. Press the Master Code push button. (the LED will stay on steady).
2. Enter a four digit Master Code number then press *.
---- * (beep)

2 - Relay Strike Time - 1/4 to 99 sec.

1. Press * 0 3 and enter the Master Code.
* 0 3 ---- (beep)
2. Press 1 for relay 1 or press 2 for relay 2, then press *.
_ * (beep)
3. Enter a two digit strike time (00-99) and then press *.
-- * (beep)
4. Press 0 # TOGETHER to end.
0 # (beeeeeep)

Note: Time entered in step 3 is in seconds. 00 = 1/4 sec., 10 = 10 seconds, etc.

3 - Simple Access Codes - 50 Max

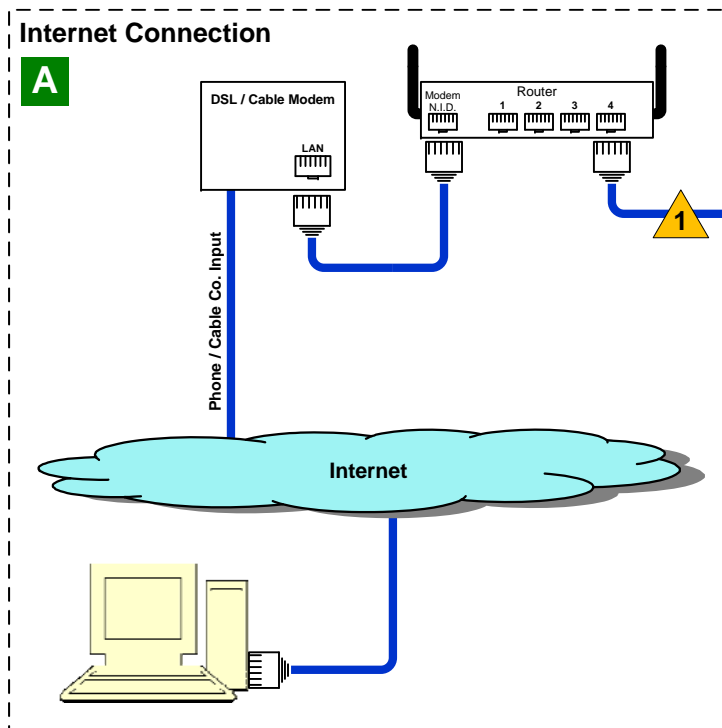
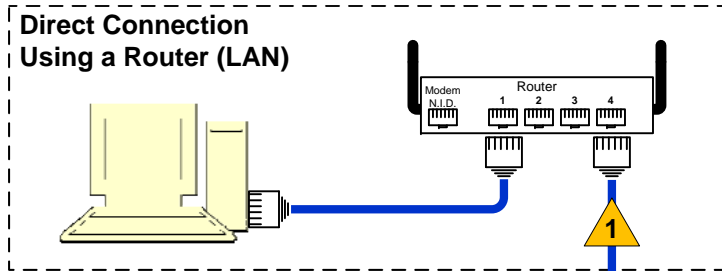
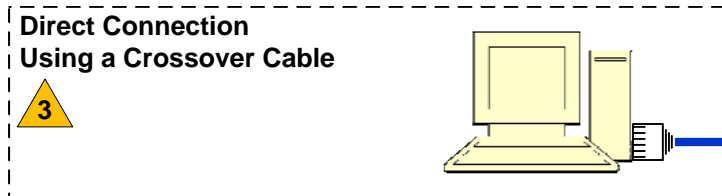
1. Press * 0 2 and enter the Master Code.
* 0 2 ---- (beep)
2. Press 1 for relay 1 or press 2 for relay 2, then press *.
_ * (beep)
3. Enter a five digit access code and then press *.
----- * (beep)
4. Repeat steps 2 and 3 to enter additional codes.
5. Press 0 # TOGETHER to end.
0 # (beeeeeep)

PHONE WIRING "101"

Modern Wiring ¹ Cat5e or Cat6	Old Wiring Four Conductor	
Tip 1 = WHITE / Blue Mark	Green	Green
Ring 1 = BLUE / White Mark	Red	Red
Tip 2 = WHITE / Orange Mark	Black	Black
Ring 2 = ORANGE / White Mark	Yellow	Yellow
Tip 3 = WHITE / Green Mark		
Ring 3 = GREEN / White Mark		
Tip 4 = WHITE / Brown Mark		
Ring 4 = BROWN / White Mark		

1. Recommend Cat5e Gel Filled (flooded) UV Resistant Direct Burial cable.

QUICKSTART INSTRUCTIONS FOR 1812 ACCESS PLUS NETWORK CONNECTION



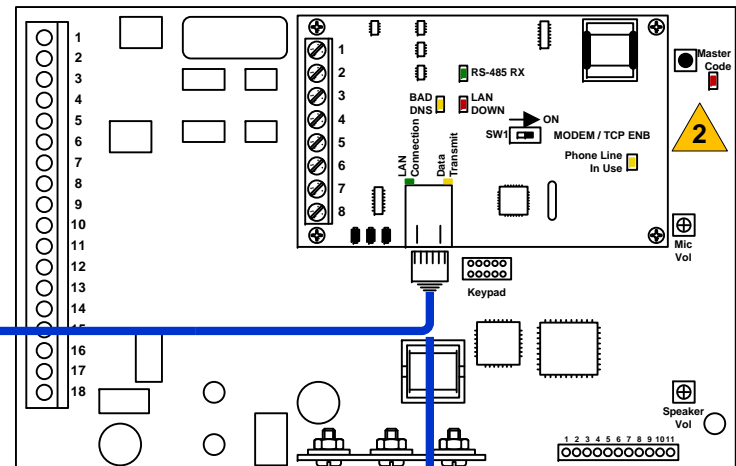
A

You can connect to the 1812 using a static (set) IP address, or by using a dynamic (changing*) IP address with a registered DDNS host name. A static IP address will usually incur additional monthly cost from your internet service provider, while DDNS is typically a small annual fee.

There are many DDNS providers available. You will need to check your router to determine which DDNS service operates with it.

DDNS allows you to create a hostname that points to your home computer or other IP addresses, like your 1812, providing an easy-to-remember URL for quick access.
(For example: www.myhome1812.ddns.org).

* As an example, the IP address can be 123.234.111.112 one day, 123.124.45.15 the next.



6

Reboot: If a programming sequence calls for a reboot, follow the steps in #6 below. If you are performing several programming steps that call for a reboot, complete all of those steps first, then perform the system reboot sequence in #6 below.

This programming sequence enables or disables TCP/IP support. It will also cause an automatic reboot of the 1812 two seconds after the programming sequence is completed. Perform this programming step after all other network setup programming sequences have been completed, or whenever an individual network programming step is performed and it calls for a system reboot.

Once the 1812 is connected, the **GREEN LED** on the RJ-45 jack on the interface board should light indicating a good wire connection has been established. The **LAN DOWN LED** should go off after a few seconds if all previous programming steps have been completed and programmed successfully.

- 1** Cat5e network cable. Maximum distance is 325 feet (100 meters).
- 2** SW1 (Modem / TCP Enable) must be in the ON position.
- 3** Gateway address **See 4** must be set to 000.000.000.000 if 1812 is connected to the PC in this manner.
- 4**
 1. To find your router's IP address (for Windows XP):
 - a. Click - Start > All Programs > Accessories > Command Prompt
 - b. Type at the DOS prompt: **ipconfig /all**
 - c. Press Enter – the result screen (like below) should appear.

```

Windows IP Configuration

Host Name . . . . . DH8MP521
Primary DNS Suffix . . . . .
Node Type . . . . . Hybrid
IP Routing Enabled . . . . . No
WINS Proxy Enabled . . . . . No

Ethernet Adapter Local Area Connection 2:
Connection-specific DNS Suffix . . . . .
Description . . . . . Broadcom 440x 10/100 Integrated Controller
Physical Address . . . . . 00-08-74-B9-C3-27
Dhcp Enabled . . . . . No
IP Address . . . . . 10.1.1.110
Subnet Mask . . . . . 255.255.255.0
Default Gateway . . . . . 192.168.1.1
DNS Servers . . . . . 206.13.29.12
    
```

```

Pinging 192.168.1.30:
Reply from 192.168.1.30: bytes=32 time<1ms TTL=255
Reply from 192.168.1.30: bytes=32 time<1ms TTL=255
Reply from 192.168.1.30: bytes=32 time<1ms TTL=255
Reply from 192.168.1.30: bytes=32 time<1ms TTL=255

Ping statistics for 192.168.1.30:
    Packets: Sent = 4, received = 4, Lost = 0 (0% loss)
    Approximate round trip time in milli-seconds:
        Minimum = 0ms, Maximum = 0ms, Average = 0ms
    
```

1 – Master Code

Blinking LED - power is applied to the 1812 and the processor is working.

Steady LED - system is in Master Code programming mode.
(Reverts to blinking if master code is not entered within 10-seconds)

1. Press the Master Code push button (the LED will stay on steady).
2. Enter a four digit Master Code number then press *.
____ * (beep)

2 – IP Address (reboot required)

1. Press * 51 and enter the Master Code.
* 5 1 ____ (beep)
2. Enter the IP address. Use the * key to enter the "dot".
____ * (beep) ____ * (beep) ____ * (beep) ____ * (beep)
(valid value for any 3-digit number is 000 to 255)
Default value is: 192.168.001.030
3. Press 0 # Together to end.
0 # (beeeeeep)

3 – Sub-net Mask (reboot required)

1. Press * 52 and enter the Master Code.
* 5 2 ____ (beep)
2. Enter the sub-net mask address (Use the * key to enter the "dot").
____ * (beep) ____ * (beep) ____ * (beep) ____ * (beep)
(valid value for any 3-digit number is 000 to 255)
Default value is: 255.255.255.000
3. Press 0 # Together to end.
0 # (beeeeeep)

Programming Instructions Installation Manual

Before proceeding, install the 1812 management software on the PC that will be used for programming the 1812. Once the software is installed and the 1812 is connected, refer to the software help screens for additional programming instructions.

Be sure SW1 is in the ON position (Modem/TCP ENB) on the interface board.

Perform the "Enable / Disable TCP/IP Support" programming step last, or whenever a change is made to any of the programming functions shown below as this sequence will cause the system to automatically reboot. The default is "disabled" so you will need to change this to "enabled". The system will automatically reboot.

Complete installation and programming instruction manual is available for free from our tech support website. Download document # 1812-162.

Please visit www.dkaccess.com/english/telephone_entry.html.

4 – Gateway (router) Address (reboot required)

1. Press * 53 and enter the Master Code.
* 5 3 ____ (beep)
2. Enter gateway (router) address (Use the * key to enter the "dot").
____ * (beep) ____ * (beep) ____ * (beep) ____ * (beep)
(valid value for any 3-digit number is 000 to 255)
Default value is: 192.168.001.001
3. Press 0 # Together to end.
0 # (beeeeeep)

3 If the 1812 is connected directly to the PC with a crossover cable, this address MUST be set to 000.000.000.000.

5 – Set the Port Number (reboot required)

1. Press * 56 and enter the Master Code.
* 5 6 ____ (beep)
2. Enter the port number.
____ * (beep)
(valid values are 01024 to 65535)
Default value is: 01030
3. Press 0 # Together to end.
0 # (beeeeeep)

6 – Enable/Disable TCP/IP Support System Reboot

1. Press * 50 and enter the Master Code.
* 5 0 ____ (beep)
2. Press 0 * (beep) to disable or press 1 * (beep) to enable.
Default is disabled.
3. The system will reboot automatically.