



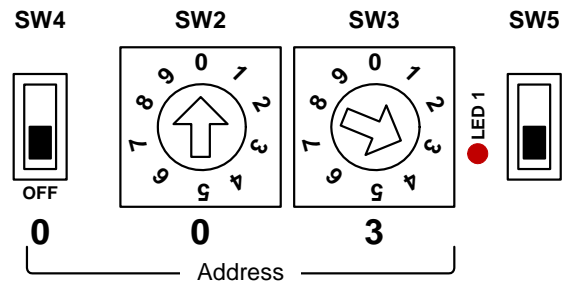
Instructions for RS485 Receiver

The RS485 Receiver is designed to work with the Access Plus system. See reverse side for wiring information.

Setting the Receiver Address

The only valid device addresses that can be used with the Access Plus system are 003 through 008. Each device (keypad, card reader, RF receiver) must have a unique address and the addresses must start with 003 and continue in sequence. The type of device does not matter, only the address matters.

Switch SW4 and rotary switches SW2 and SW3 are used to set the address on the 8053 receiver. Since the address on the device must be set between 003 and 008, SW4 is left in the OFF position and SW2 is set to 0. You only need to set SW3 for the address of the device (003 – 008).



In the example at right, the receiver address is set for 003.

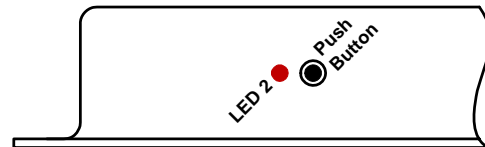
Each device (card reader, keypad, receiver) must have a unique address and continue in sequence. Do Not Skip an address.

The order in which the device is connected to the Access Plus controller does not matter. What is important is that the address must be in sequence starting with 003.

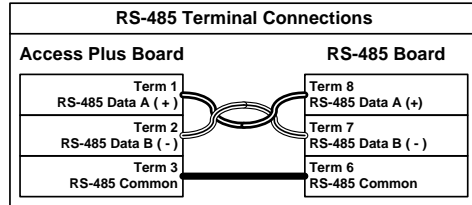
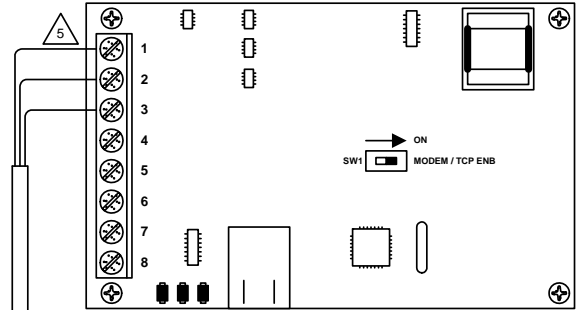
Learn Transmitter Codes

This is a “Rotating Code” receiver providing a very high degree of security. At least one transmitter code must be “learned” into the receiver memory. Other transmitter codes will be automatically learned when a new transmitter button is pressed twice within 10 seconds, provided that the button number matches the first learned button number.

1. Press the PUSH BUTTON (on side of receiver) until LED 2 flashes once, then release.
2. Press the transmitter(s) to be programmed. LED 2 flashes with incoming RF.
3. Wait 10 seconds until beeping and flashing of LED 2 quits, which indicates programming has ended.

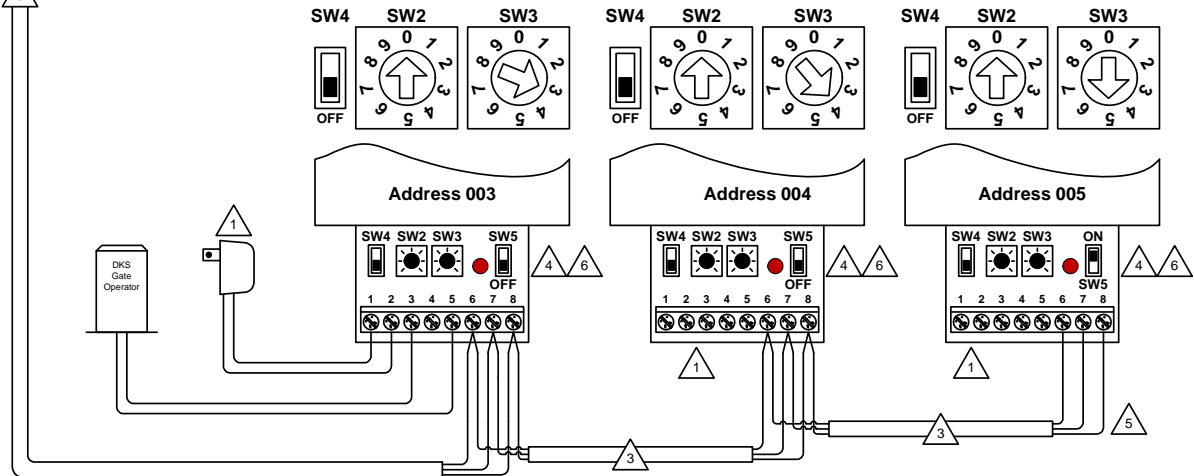


To delete ALL transmitter codes in memory, press and hold the PUSH BUTTON until LED 2 flashes 7 times, 3 times in a row. When performing this function, LED 2 will flash once, then twice, then three times, then four times, then five times, then six times, then finally seven times. Be sure to hold the PUSH BUTTON until you see the seven flashes, three times in a row.



Terminal 1 from the Access Plus board connects to RS-485 board(s) terminal 8.
 Terminal 2 from the Access Plus board connects to RS-485 board(s) terminal 7.
 Terminal 3 from the Access Plus board connects to RS-485 board(s) terminal 6.

Wires connecting terminals 1 & 2 to terminals 8 & 7 MUST be twisted.



Terminals	
1	12-24 Volt AC/DC (-)
2	12-24 Volt AC/DC (+)
3	Relay Normally Open (N.O.)
4	Relay Normally Closed (N.C.)
5	Relay Common
6	RS485 Gnd
7	RS485 Data (B)
8	RS485 Data (A)

- 1 12 – 24 Volt, AC or DC power. Do not power from the Access Plus controller. Must be supplied with its own power source as shown, or can be powered from the gate operator.
- 2 Connect Normally Open relay contacts to gate operator OPEN input.
- 3 The wires connected from the Access Plus board (terminals 1 & 2) to the RS-485 boards (terminals 8 & 7) MUST be twisted. We recommend that you use Cat5e cable. Use one pair to these terminals and then one wire from one of the other pairs to connect terminal 6. If wiring will be outdoors or underground, use Cat5e Gel Filled (flooded) UV Resistant Direct Burial Cable. Match terminals on RS 485 board (i.e., term 6 to term 6; term 7 to term 7; term 8 to term 8).

- 4 SW 5 is in the OFF position for middle units, and in the ON position for end units. If terminals 6, 7 & 8 have two wires connected to them, the SW 5 must be OFF. If terminals 6, 7 & 8 have only a single wire connected, the SW 5 must be ON.
- 5 Maximum distance from end to end is 4000 feet in a Daisy Chain format as shown in the diagram at right.
- 6 The LED between SW3 and SW5 remains ON after a good RS-485 connection has been established.

